

# Rope Hanging System



*\*Bed Sold Separately*

## Accessory: Solace Rope Hanging System

Convert your Solace Daybed into a gentle swaying bed, floating in the air. Made from extra-thick, harbor-quality rope, our rope hanging system is easy to set up and provides a unique restful experience. The feeling of suspended rest can best be described as relaxing on a gently swaying luxury ship.

**Warning:** Failure to properly follow instructions can result in injury or unsafe conditions.

**Weight Limit:** 1000lbs

## Help & Questions

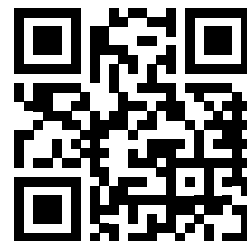
Visit: [SOLACEBED.COM](https://SOLACEBED.COM)

## PARTS LIST

- (4) Rustic Rope Assemblies
- Hardware pre-attached to rope
- 17mm Wrench
- 13mm Wrench

## TOOLS NEEDED

- #2 Square Drive Bit
- Impact Driver
- Drill
- Drill Bits

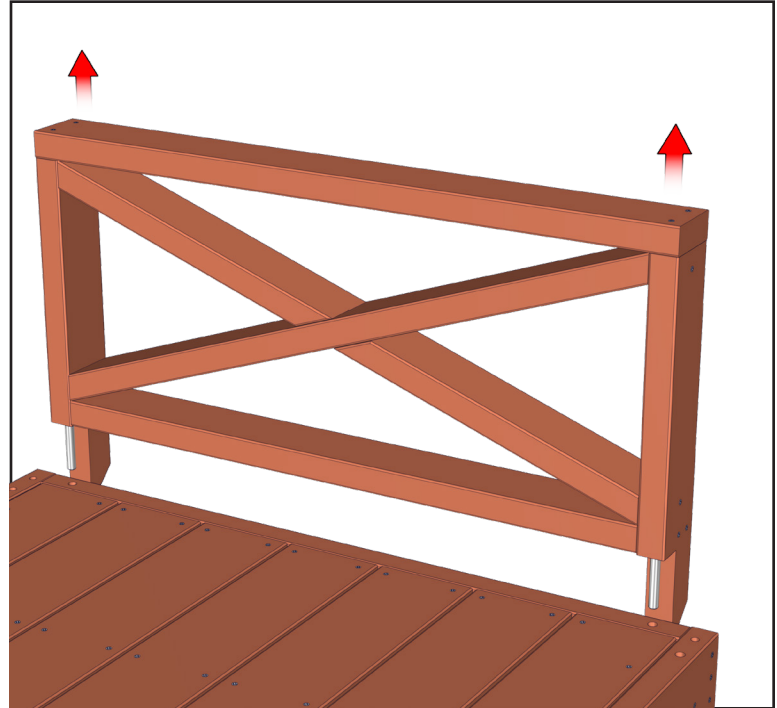


# Rope Hanging System Instructions

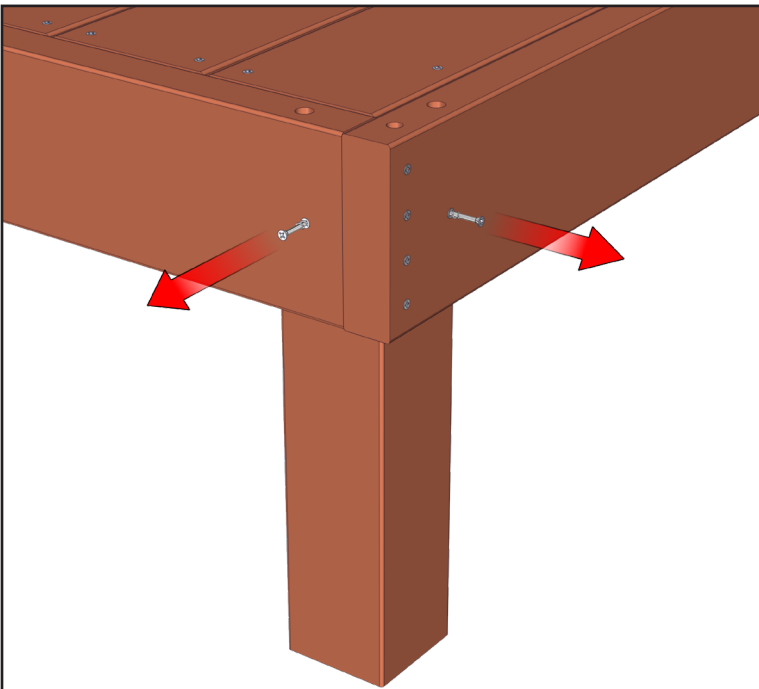


**Step 1.**  
Place your Solace modular outdoor daybed below your Solace Pergola.

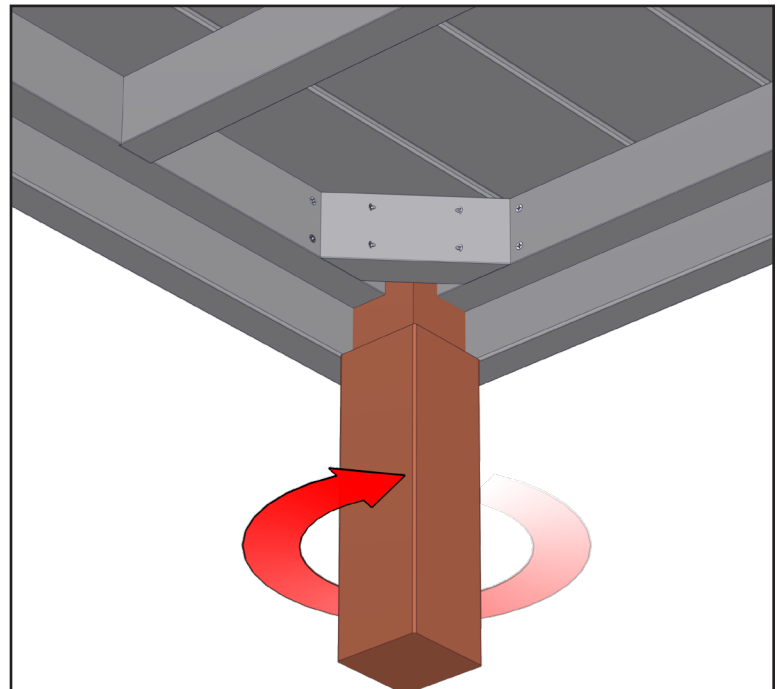
\*Hanging your Solace Bed from any other structure is doing so at your own risk.



**Step 2.**  
Remove any modular headboards from the bed and set aside.

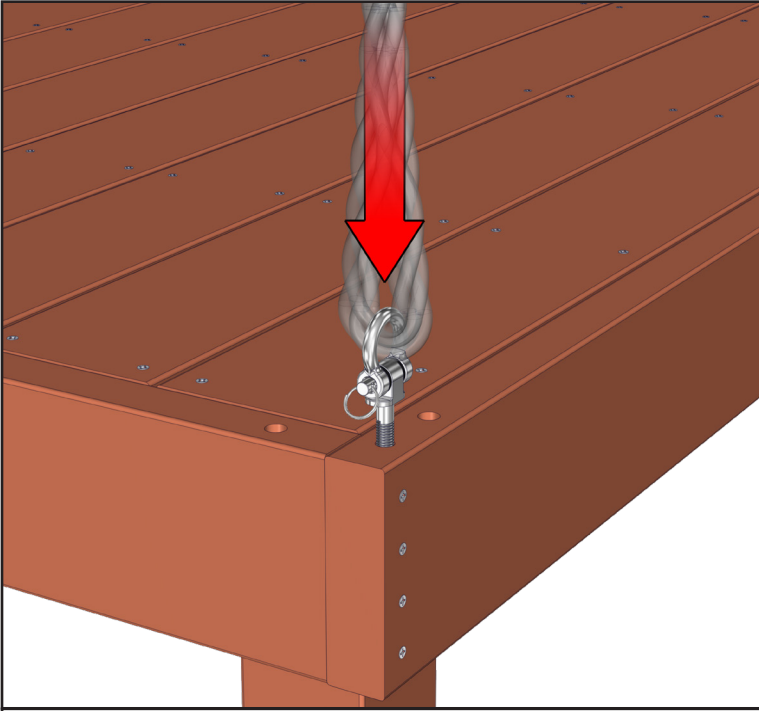


**Step 3.**  
Remove the two 3 1/2" wood screws holding the four 4x4 posts in place at each corner using a #2 Square Drive Bit.

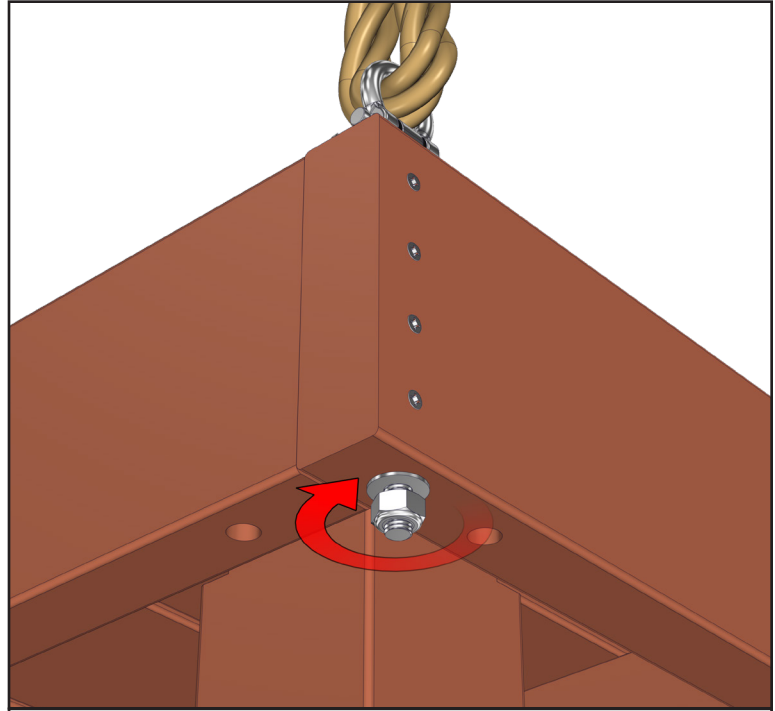


**Step 4.**  
Rotate each leg 180° and slide back into place.  
This will act as stable base while attaching the rope accessory.

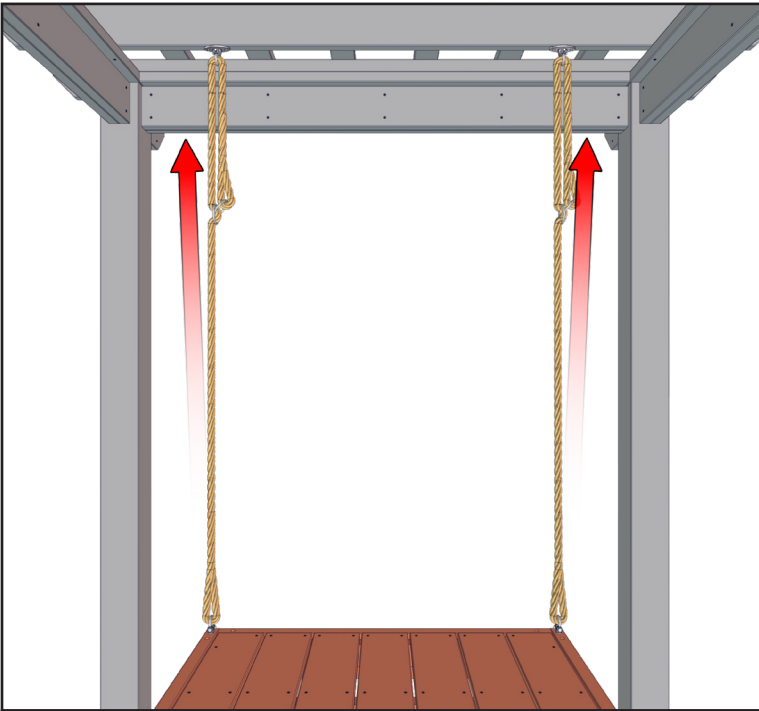
# Rope Hanging System Instructions



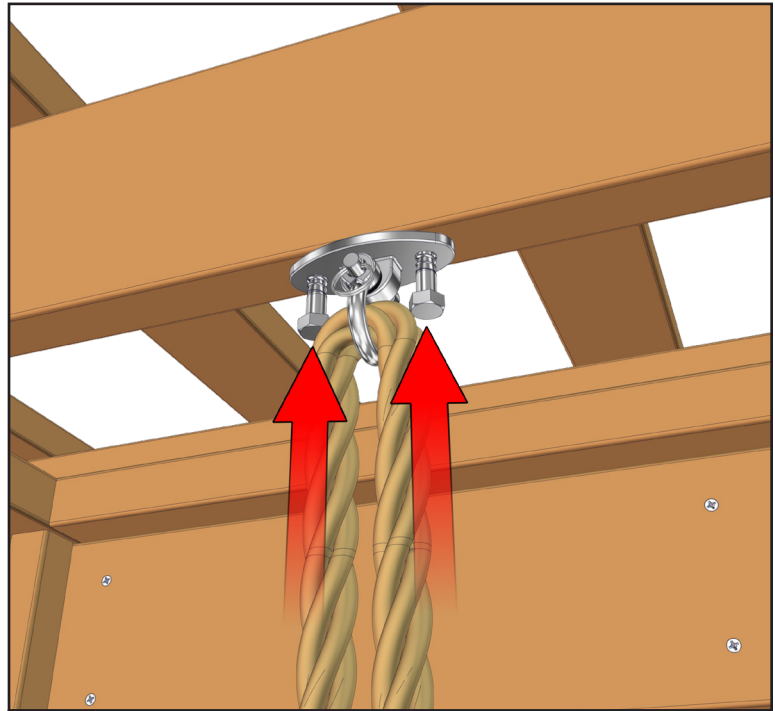
**Step 5.**  
Each rope assembly has a mounting bolt attached.  
Insert these bolts in the end holes on the side 2x6's.



**Step 6.**  
Fasten these with the included washer and locking nut.  
Use the included 17mm wrench to tighten it.



**Step 7.**  
Loosen all four ropes so that there is enough slack to reach the overhead mounting points.  
Place the attached mounting brackets against the rafters above the mounting bolts.  
**The ropes should be angled away from the bed a few inches to increase stability.**



**Step 8.**  
Pre-drill these holes using a 3/16" drill bit.  
Fasten the mounting brackets to the rafters using the two included lags with the 13mm wrench.

# Rope Hanging System Instructions



**Step 9.**  
Tighten all four ropes until the bed is level then remove the support legs to allow the bed to hang freely.



**Step 10.**  
Place the modular headboards back on any side on the bed.



Now enjoy your hanging bed, you have successfully completed your project!