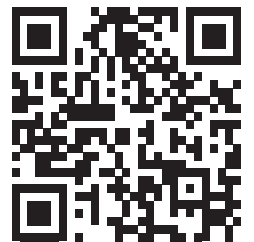


solacePERGOLA

Japonica Cedar Wood Pergola Kit



6 x 10 ASSEMBLY MANUAL



solace PERGOLA

Japanica Cedar Wood Pergola Kit

CONTENTS

Introduction	2
Hardware	3
Pergola Parts.....	4
Pergola Assembly	5
Care & Maintenance	12
Anchoring Information	14
Structure Drawings	15

INTRODUCTION

6 x 10 Solace Japonica Cedar Pergola:

Built to be paired with the Solace Daybed and Rope Hanging System, the Solace Japonica Cedar Wood Pergola Kit comes with instructions, wood, and hardware. The flat-packed cedar pergola kit is a great do-it-yourself outdoor improvement project, for you or your home contractor.

Japonica Cedar is naturally strong, lightweight, weatherproof, and decay resistant. However, as with all natural woods, proper care and maintenance will extend the life of the Solace Cedar Pergola.

Product Dimensions (fully built): 6' W x 10' L x 8'6" H

Product Weight: APPROX. 310 lbs

One-Year Limited Warranty Coverage Information: Visit solacepergola.com for details.

ATTENTION: Properly anchoring the Pergola is a vital part of the installation. See page 14 for more information.

PERGOLA

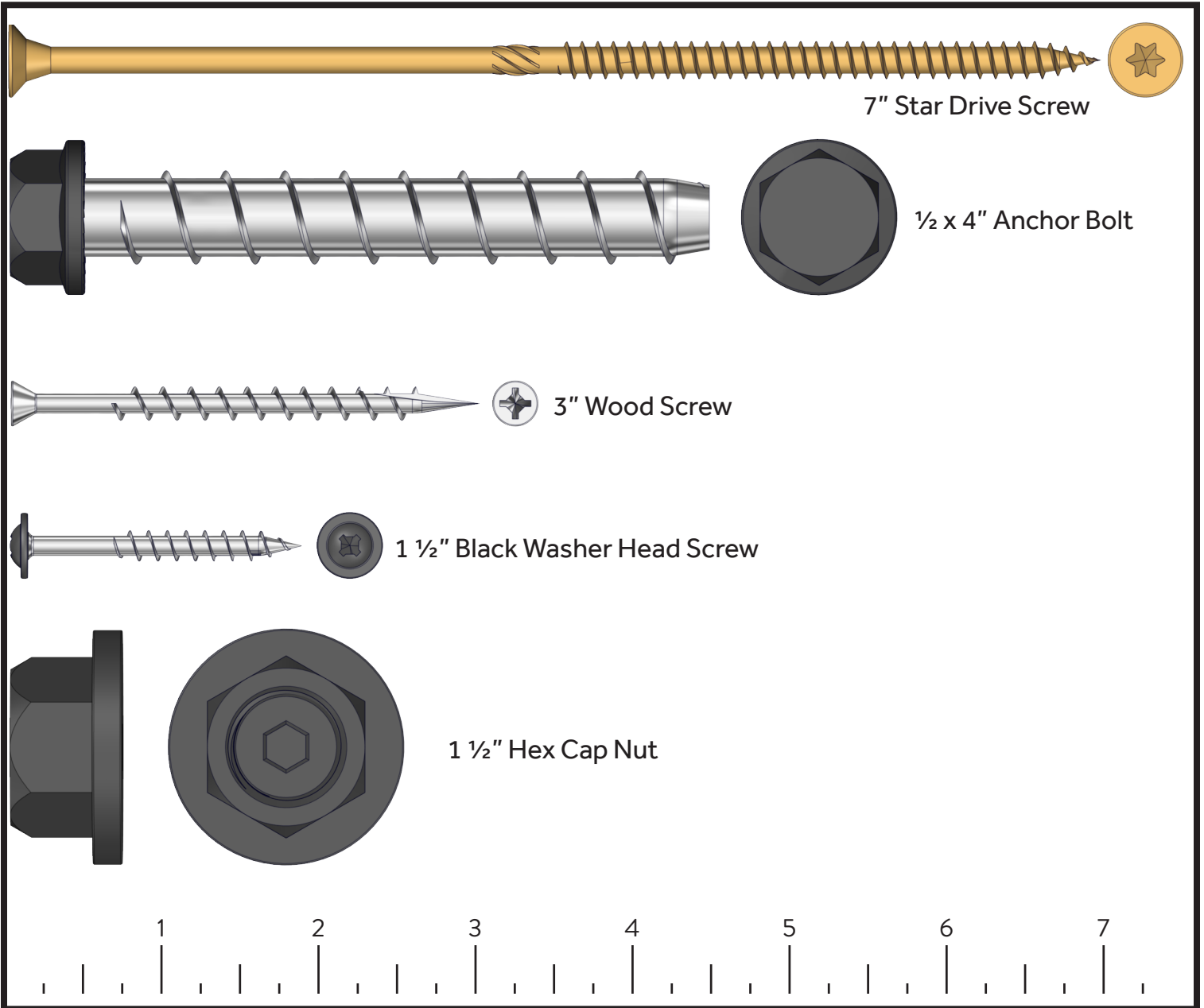
TOOLS REQUIRED

- Impact Driver
- Tape Measure
- Rubber Mallet (Recommended)
- (4) 90"+ long 2x4's (Recommended for steps 7, 8 and 9.)

TOOLS INCLUDED

- #2 Square Drive Bit
- T30 Drive Bit

HARDWARE



PARTS LIST

Structure	
Items	Quantity
5x5 Posts	4
94 1/2" 2x6 Headers	2
47 3/4" 2x6 Headers	2
10" 2x6 Header Ends	4
94 1/2" 2x6 Top Plate	2
45 7/8" 2x6 Top Plate	2
29" 2x6 Top Plate	2
76 3/4" 2x6 Rafters	8
85 5/8" 2x3 Stringers	6
37 7/8" 2x3 Stringers	6
Spacer Block	1

Hardware	
Items	Quantity
5x5 Post Brackets	4
Hex Cap Nuts	8
7" Star Drive Screws	24
1/2"x4" Anchor Bolts	8
1 1/2" Black Washer Head Screws	26
3" Brown Screws	150

PERGOLA ASSEMBLY PARTS

94 1/2" 2x6 Header (2)



94 1/2" 2x6 Top Plate (2)



92" 5x5 Post (4)



85 5/8" 2x4 Stringer (6)



76 3/4" 2x6 Rafter (8)



47 3/4" 2x6 Header (2)



45 7/8" 2x6 Top Plate (2)



37 7/8" 2x4 Stringer (6)



29" 2x6 Top Plate (2)



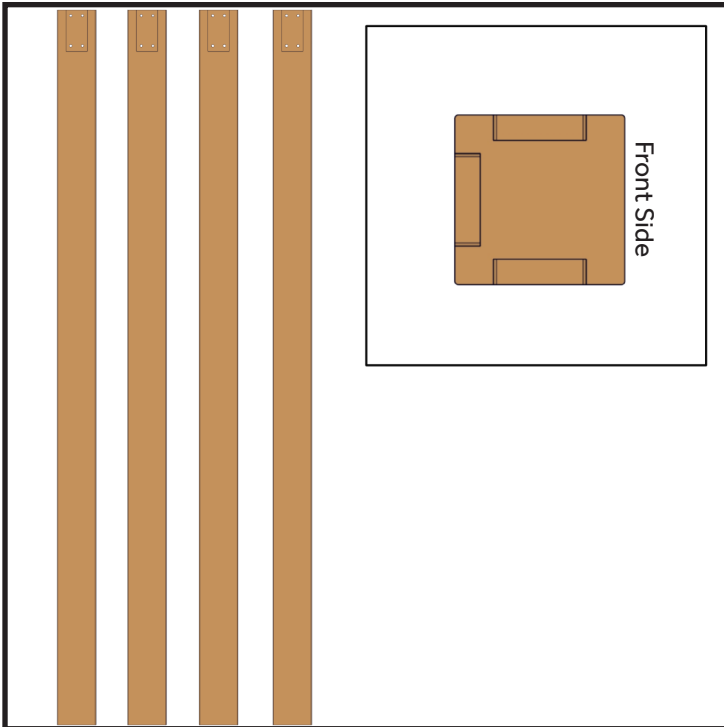
10" 2x6 Header End (4)



5x5 Post Bracket (4)



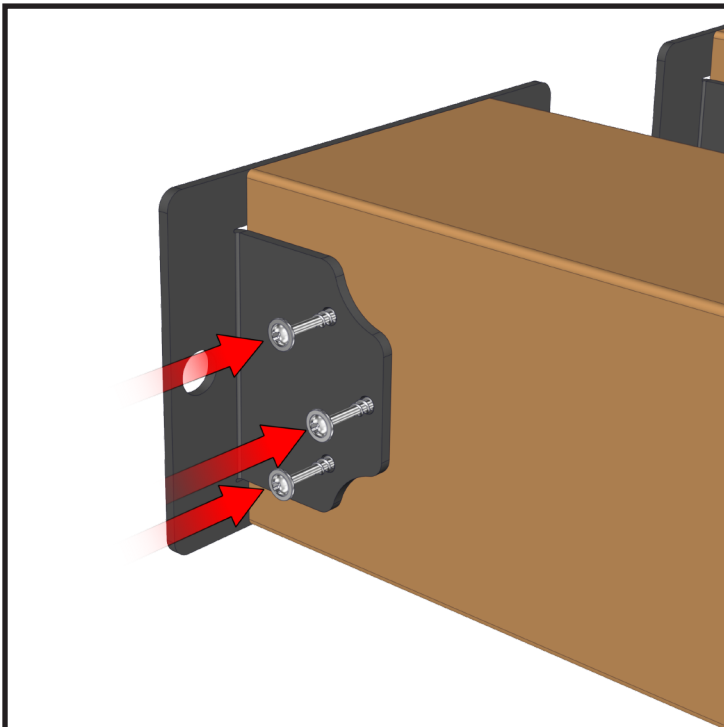
Pergola Assembly



Step 1.
Begin the assembly by locating four 5x5 posts.
The cutouts on each post indicate the top of the post.
Notice how each post has one flat side with no cutout.



Step 2.
Place the posts on the ground with the flat sides facing out to the side.
Place a 5x5 post bracket on the bottom of each post.
Turn the brackets so the flanges are facing the same direction as the flat sides as shown above.

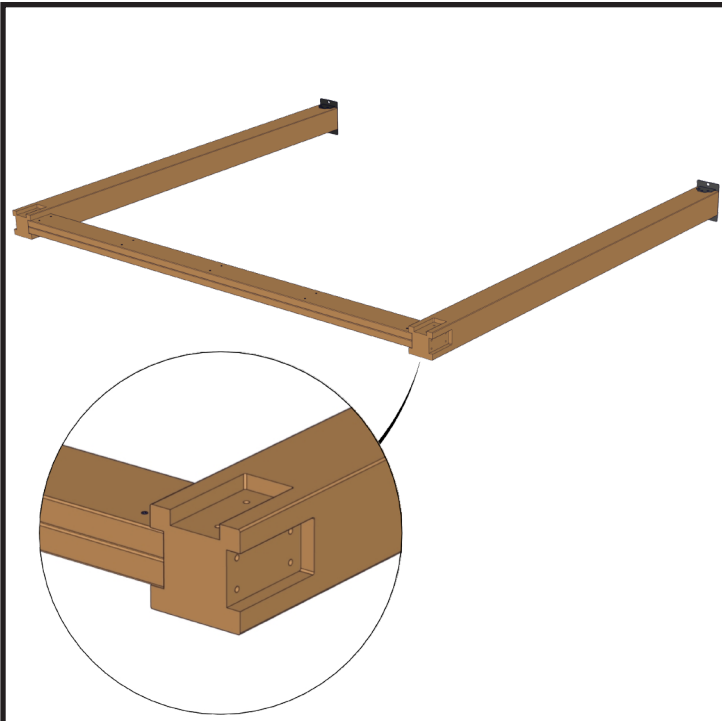


Step 3.
Fasten each post bracket with six 1 ½" black washer head screws.



Step 4.
Take two of the posts and place them with the flat sides facing down so the post bracket is sitting on the flange.
Space them approximately 94" apart between the inside faces.

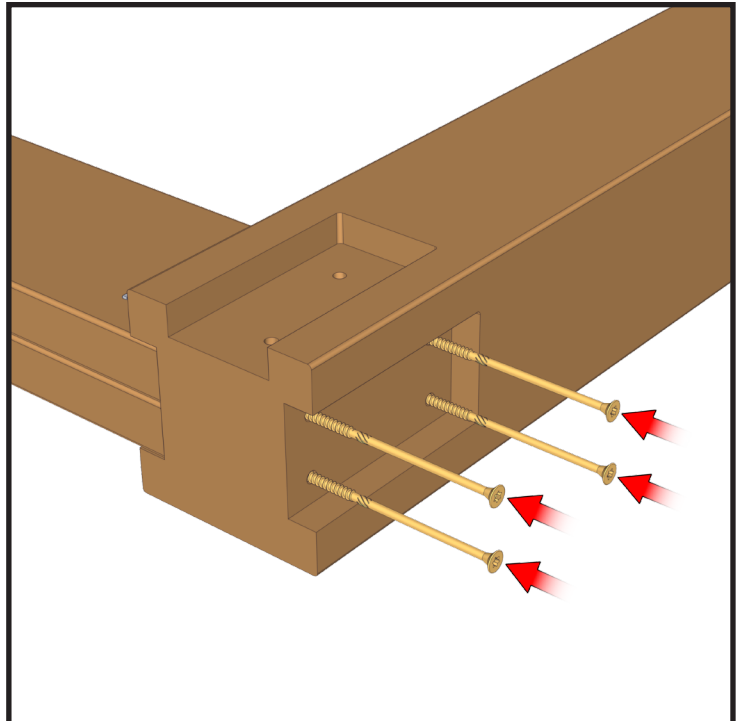
Pergola Assembly



Step 5.

Place one of the 94 1/2" headers between the posts making sure the side of the header with the screws is facing up.

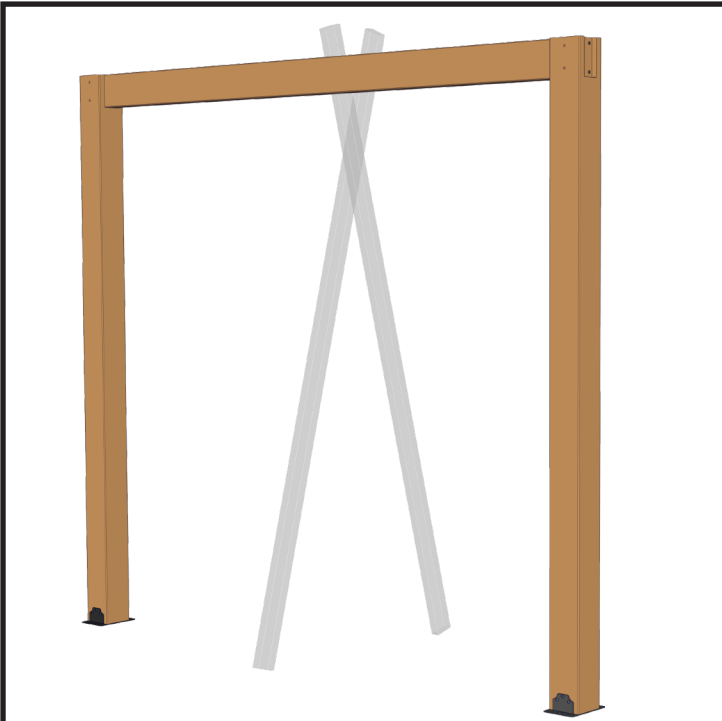
Note: Make sure the post cutouts with two holes are facing up and the flat side is facing down.



Step 6.

Fasten the post to the header using 7" star drive screws through the four pre-drilled holes in each post.

Ensure that the header is seated properly in the post cutout before you fasten it.



Step 7.

Set the header and post assembly upright. Using 2x4 cross braces (not included) is the recommended way to support it. Otherwise, have another adult support the assembly to keep it from falling over.



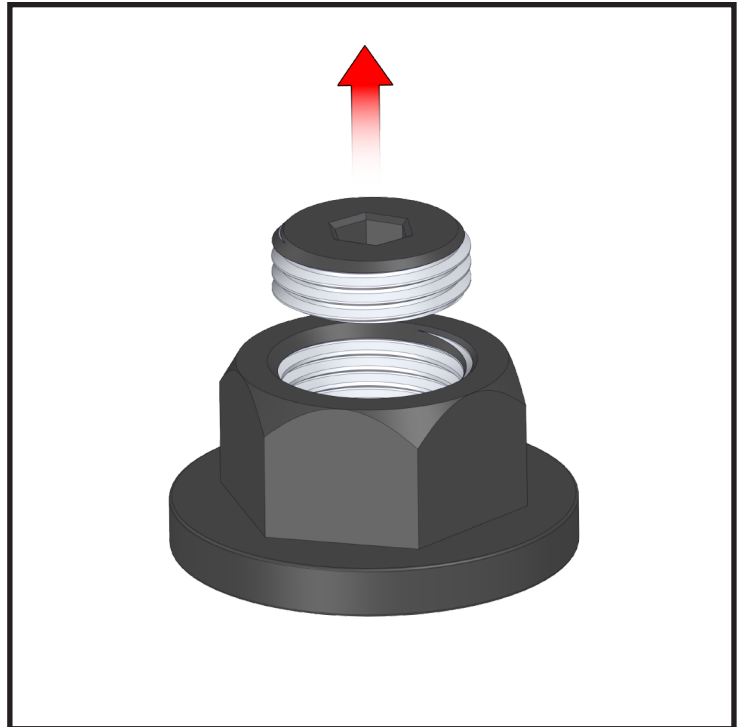
Step 8.

Repeat steps 4 through 7 to build a second header and post assembly. Place it approximately 47" away from the first one measuring between the inside post faces. The post cutouts with two holes should all be facing inwards at this point.

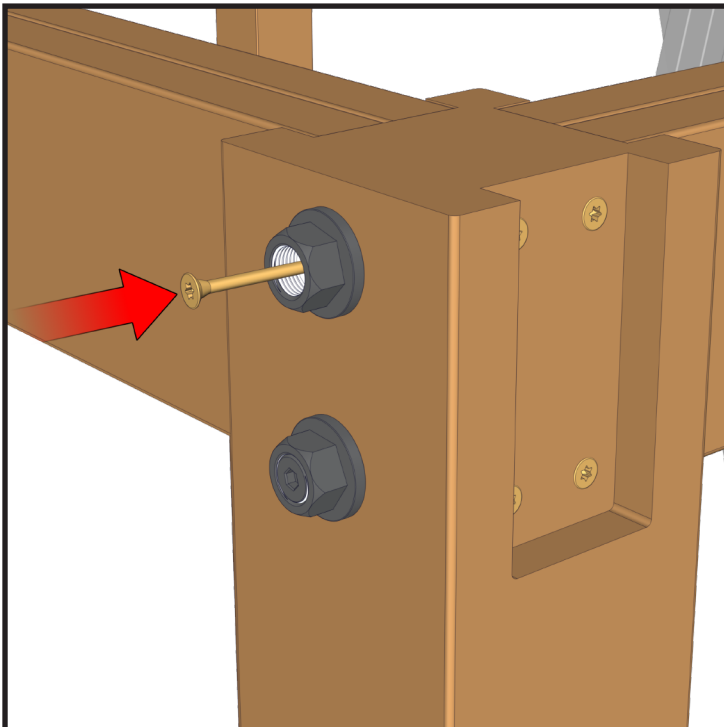
Pergola Assembly



Step 9.
Place the two 47 ¾" headers in position at each end. Make sure the side with the screws is facing in for each header then seat them properly into the post cutouts. Adjust the post positions as needed to ensure that everything fits correctly.



Step 10.
Locate eight of the hex cap nuts. Remove the inserts using the ¼" hex end of the drive bit.



Step 11.
Place a hex cap nut over each of the pre-drilled holes on the flat side of the posts. Fasten the header to the post using a 7" star drive screw through the hex cap nut.

Place the inserts back into the hex cap nuts.

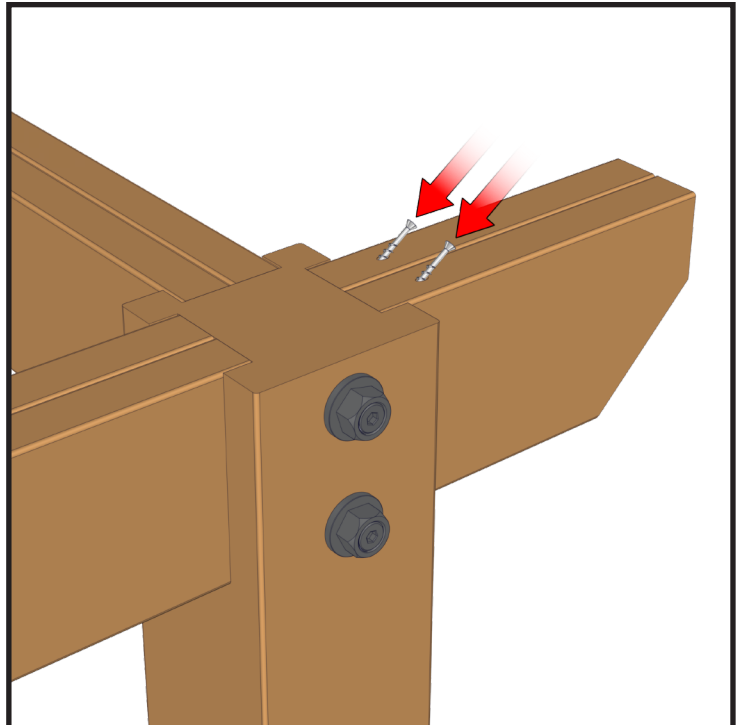


Step 12. The 2x4 cross braces can be removed once all the headers are fastened.

Pergola Assembly

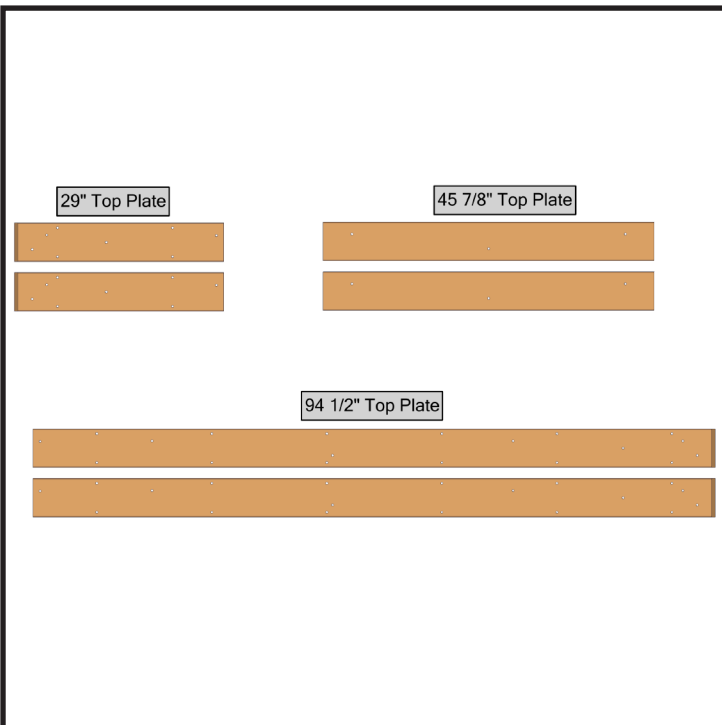


Step 13.
Place the 10" header end pieces into the remaining cutouts on the outside of the posts.

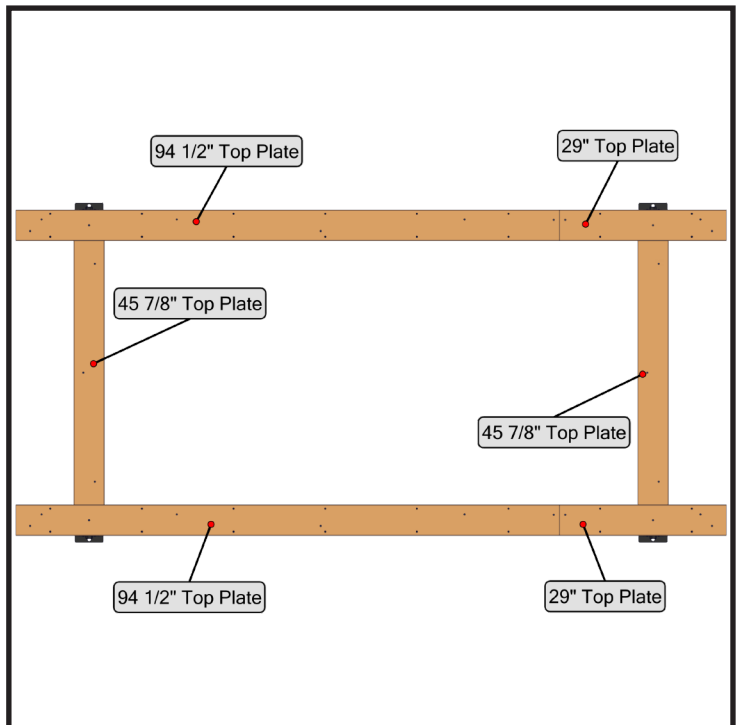


Step 14.
Fasten the header ends to the posts using 3" wood screws through the pre-drilled holes on the top.

These will also be held in place by the top plate after the next few steps are completed.



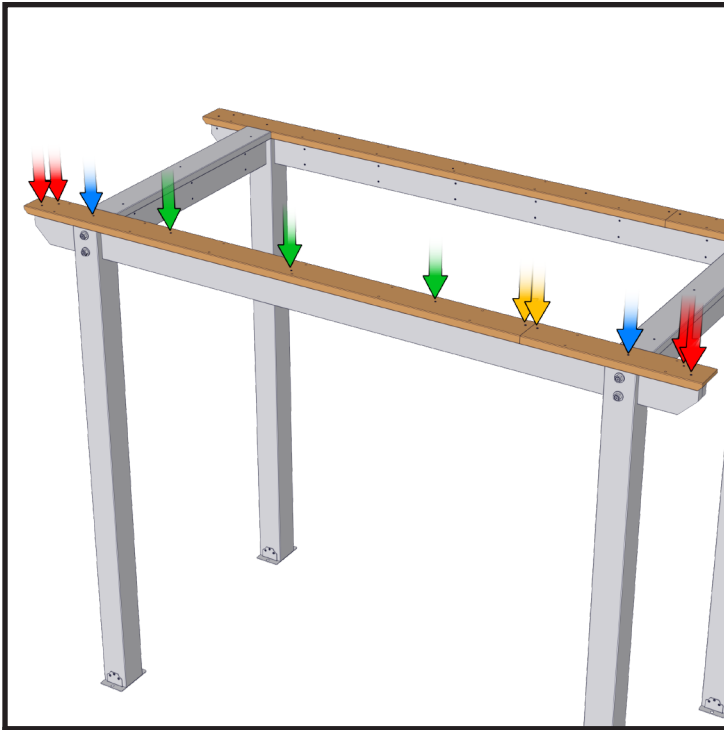
Step 15.
Locate these six 2x6 top plate pieces.



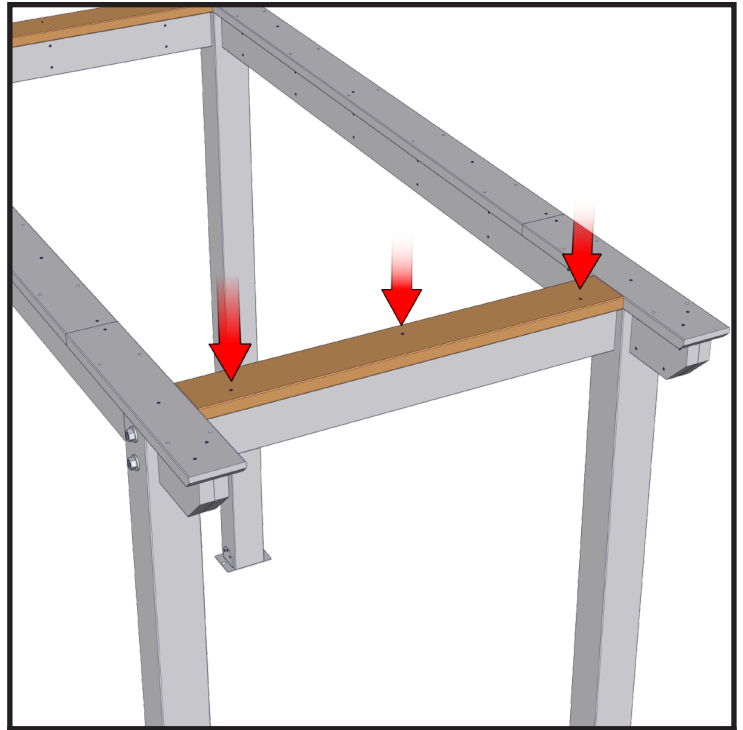
Step 16.
Lay the top plate pieces out as shown above. The two 45 7/8" top plates need to be centered over the 47 3/4" headers.

The 94 1/2" top plate and the 29" top plate each have a bevel at one end. Make sure this bevel is on the outside and facing down.

Pergola Assembly



Step 17.
Fasten the 94 1/2" and 29" top plates using 3" wood screws. There are two offset screws at each end, two screws for the splice, one screw over each post and three screws to fill up the rest of the space. These top plates should have 1" of overhang at each end.



Step 18.
Fasten the 45 7/8" top plates using four 3" wood screws each. Ensure the top plate is centered before fastening it, there should be an equal amount of overhang on both sides.

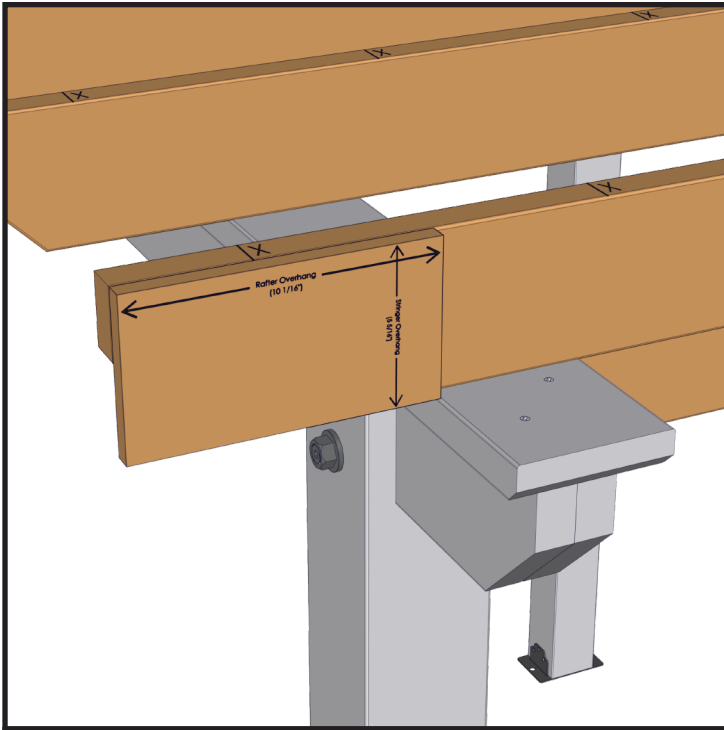


Step 19.
Your structure should match the picture above at this point.

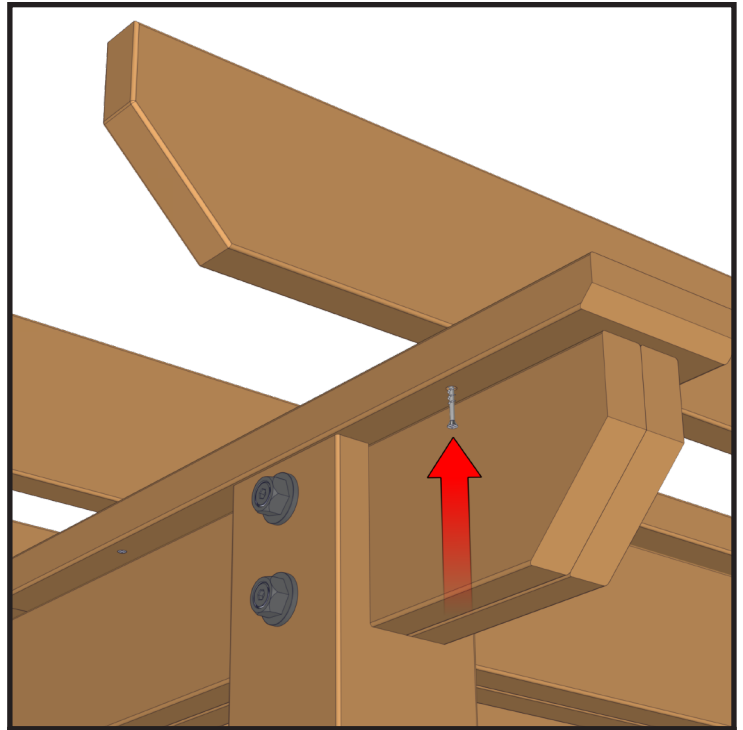


Step 20.
Place the 2x6 rafters in position on the structure. The 94 1/2" and 29" top plates have holes drilled along the edges approximately 16" apart. Use these holes to space the 2x6 rafters.

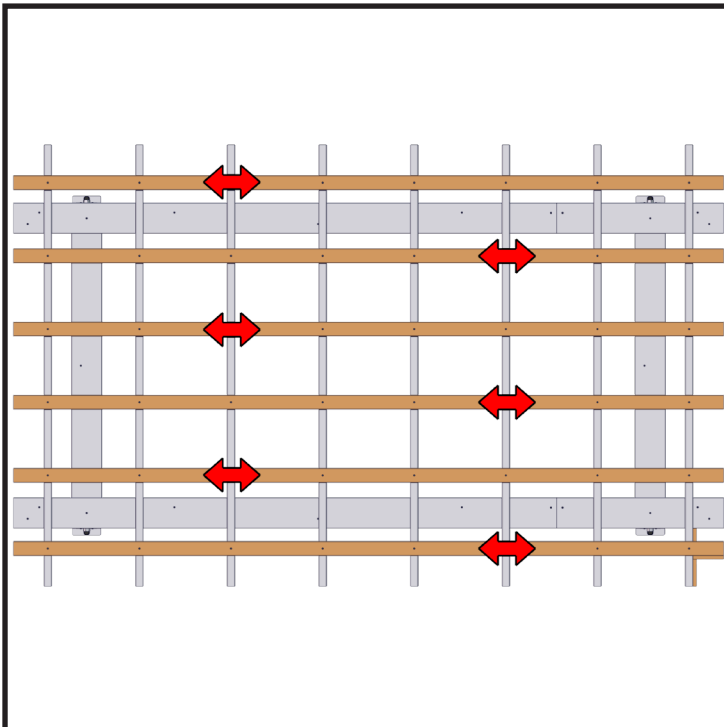
Pergola Assembly



Step 21.
Use the length of the spacer block to center the rafters on the structure.
The spacer block measures from the end of the rafter to the edge of the top plate.

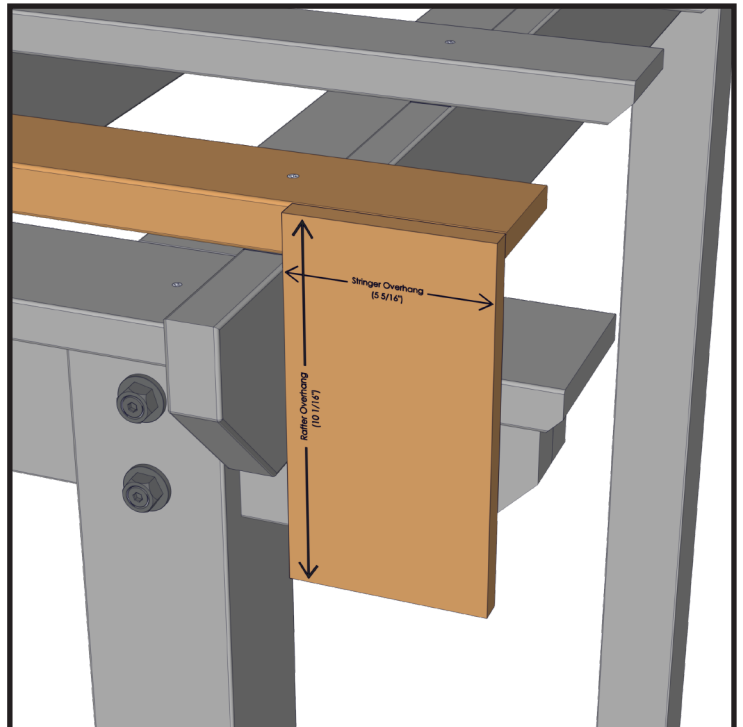


Step 22.
Once the rafters are centered and aligned with the pre-drilled holes, fasten each rafter with 3" wood screws through the holes on each side of the top plate.



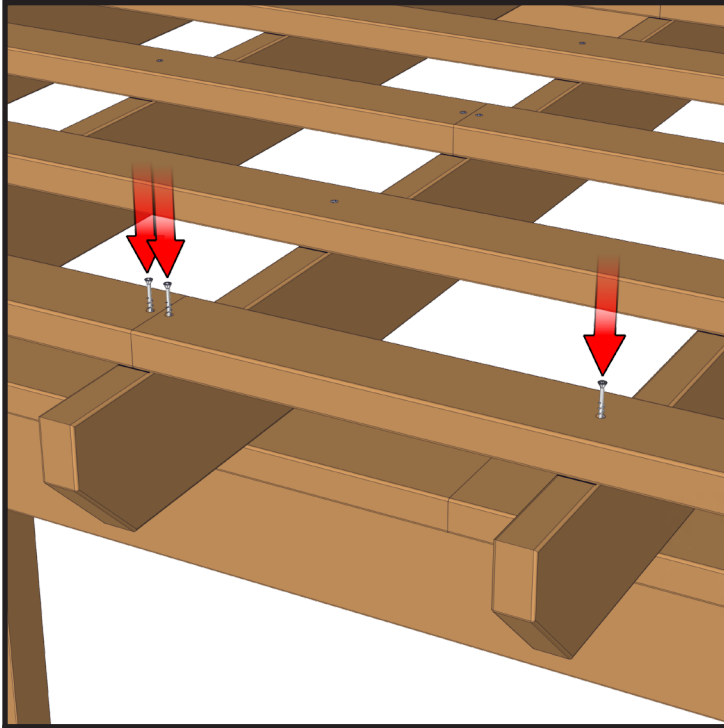
Step 23.
Place the 2x4 stringers on top of the rafters.
Alternate the splices between the stringers as shown above to increase the strength.

The rafters are marked to determine the spacing between the stringers.



Step 24.
Use the width of the spacer block to center the stringers on the structure.
The spacer block measures from the end of the stringer to the edge of the rafter.

Pergola Assembly



Step 25.
Fasten the stringers to the rafters using a 3" wood screw into each rafter.
The splices each get two screws.



Enjoy your assembled structure!

SOLACE PERGOLA

Japanica Cedar Wood Pergola Kit



CARE & MAINTENANCE

Solace Pergola: Japanica Cedar Wood Pergola Kit

Japanica Cedar is naturally strong, lightweight, weatherproof, and decay resistant. However, as with all natural woods, proper care and maintenance will extend the life of the Solace Pergola. Depending on your specific area's weather patterns, you may wish to treat or finish your Solace Pergola. However, this will change the natural color of the wood. Proper care during severe weather and unused seasons will help to extend the life of your Pergola.

Help & Questions

Visit: [SOLACEBED.COM](https://www.solacebed.com)



OPTIONAL ACCESSORIES

Solace Bed: Outdoor Modular Daybed Kit

This modular day bed can be built to be placed on the ground or suspended in the air.

Solace Rope Hanging System

Rustic rope designed to hang your daybed from your cedar pergola

Help & Questions

Visit: [SOLACEBED.COM](https://www.solacebed.com)

Anchoring Your Structure

The structure must be properly anchored no matter where it is installed. Failing to anchor your structure could result in premature wear and/or failure. Read the following instructions for information on how to anchor your structure in different situations.

Concrete Footers (Recommended)

- Use the Post Layout Drawing to determine the width between the posts then mark their locations on the ground.
- Dig a hole for each post large enough to fit a 12" concrete form tube into. These holes should be dug slightly deeper than the frost line in your area.
Note: Contact your local township to find out more information about the frost line and recommended footer depths.
- Pour concrete using 12" concrete form tubes then allow to harden for at least a day.
- Place the structure on the concrete footers and center it. Use a level to ensure each post is level in each direction.
- Use a hammer drill with a 1/2" concrete bit to drill the holes for each post bracket.
- Use a heavy duty impact with a 3/4" socket to install the included 1/2" anchor bolts.

Concrete Pad

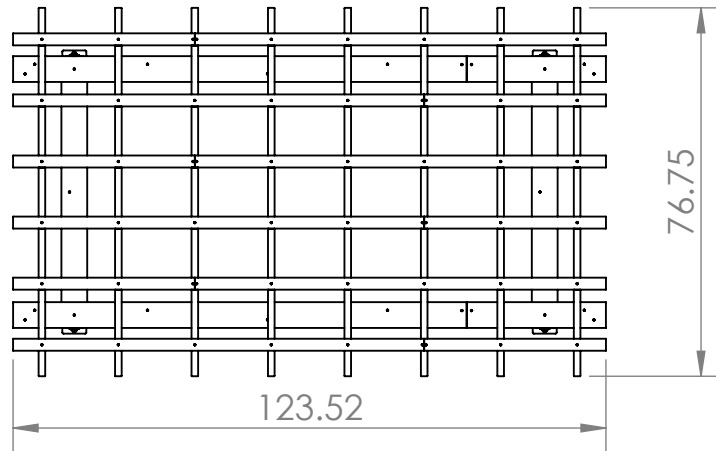
- Place the structure on the concrete pad then use a level to ensure each post is level in each direction.
- Use a hammer drill with a 1/2" concrete bit to drill the holes for each post bracket.
- Use a heavy duty impact with a 3/4" socket to install the included 1/2" anchor bolts.

Wooden Deck

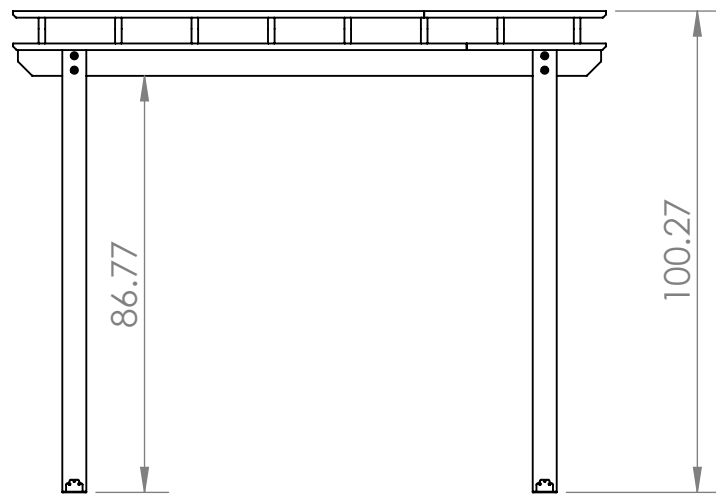
- Place the structure on the deck then use a level to ensure each post is level in each direction.
- Place a double 2x6 support between the floor joists under each of the posts.
- Use a drill with a 1/2" bit to drill the holes for each post bracket.
- Use a impact with a 3/4" socket to install the included 1/2" anchor bolts.
Note: Ensure that each anchor bolt goes directly into the 2x6 supports.

STRUCTURE DRAWINGS

Top View



Front View



Post Layout

