

# Cedar Daybed

ASSEMBLY MANUAL



**YardCraft**  
rediscover life outdoors

866-210-9273

YARDCRAFT.COM

271 S Shirk Road  
New Holland PA 17557



**YardCraft**  
rediscover life outdoors

Shoot for the stars with YardCraft's Orion Vinyl Playset!

With two slides, a rock climbing wall, cargo net, tic-tac-toe, and swings for up to five kids, you'll be the hit of the entire neighborhood!

The vinyl construction keeps this playset low in maintenance but keeps the fun factor high!

The Orion Vinyl Playset will enhance the appearance of your backyard, while also making it a one-stop-shop for having fun and making memories!

### Tools Required

- #2 Square Drive Bit
- Star Head Bit
- Wrench or Socket Set
- Tape Measure

### Tools Included

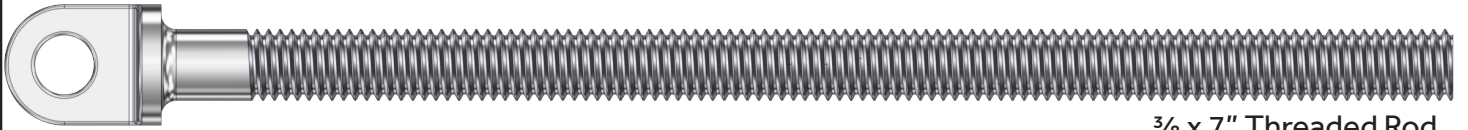
- ?

### Parts List

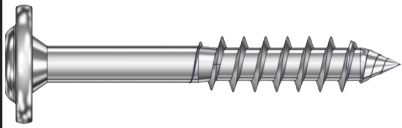
Daybed Parts	
Parts	Quantity
2x6 Frame Side	2
2x6 Frame End	2
2x3 Inner Frame Side	2
2x3 Inner Frame End	2
2x3 Inner Frame Brace	4
2x3 Floor Joist	4
1x5 Floor Board	7
Railing Assembly	2
Ropes (Optional)	4
4x4 Posts (Optional)	4

Hardware	
Parts	Quantity
7" Threaded Rods	
2" Star Head Lags	
2 1/2" Wood Screws	
1 1/2" Wood Screws	
3/8" Locking Nuts	
3/8" Washers	

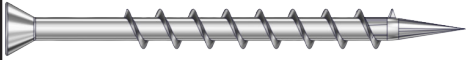
# Hardware



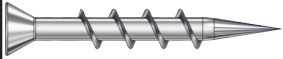
$\frac{3}{8}$  x 7" Threaded Rod



2" Star Head Lag



2 1/2" Wood Screw



1 1/2" Wood Screw



$\frac{3}{8}$ " Locking Nut



$\frac{3}{8}$ " Washer

1

2

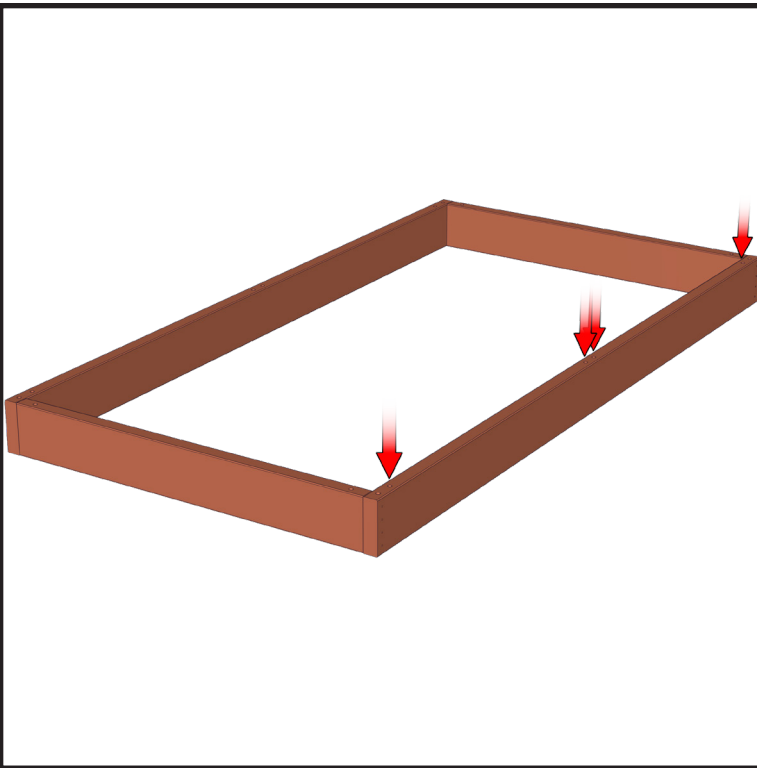
3

4

5

6

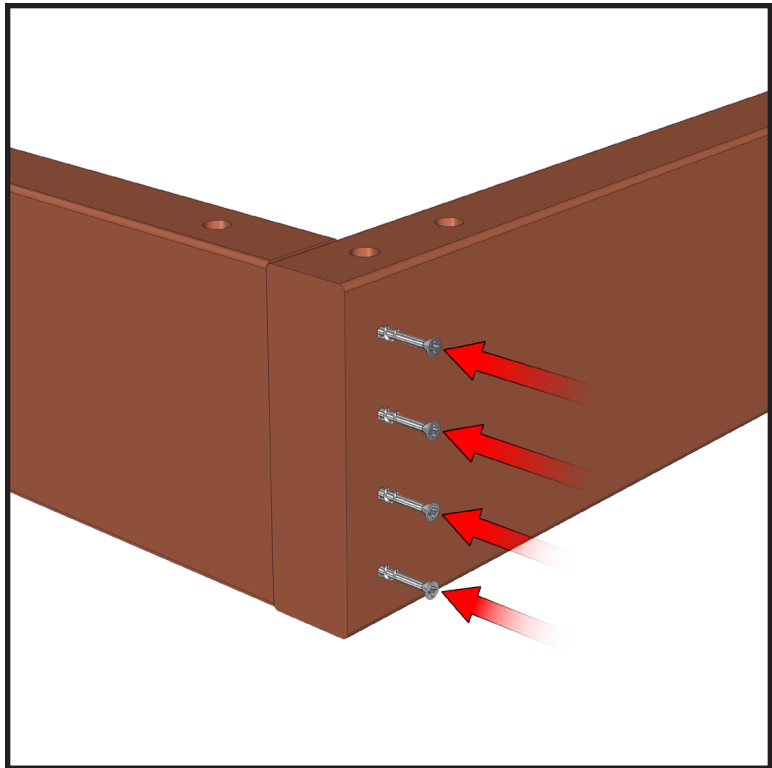
7



### Step 1.

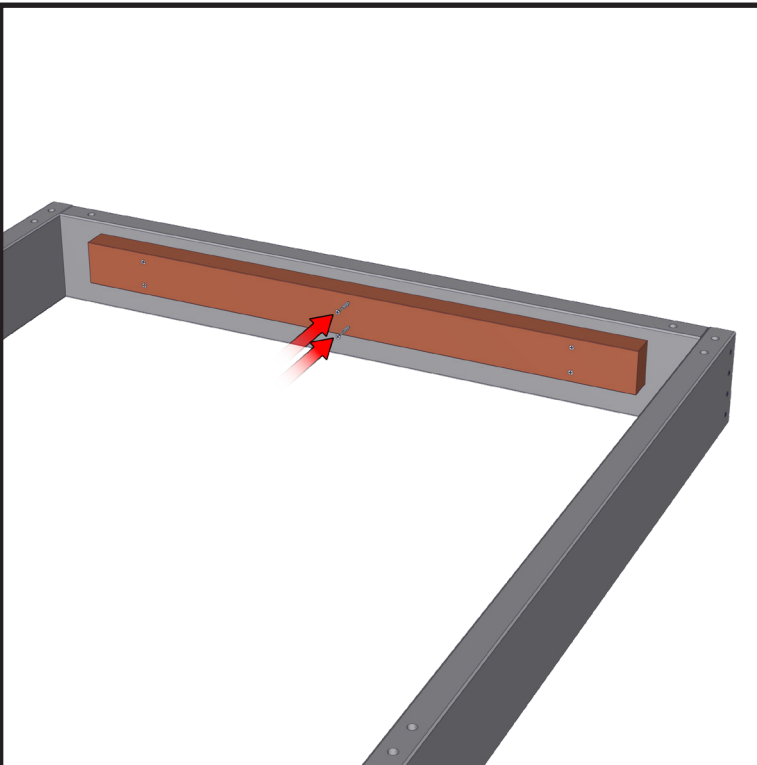
Begin the assembly by locating the four 2x6 frame pieces. There are two 81" side pieces and two 40" end pieces.

Arrange them as shown above, notice how the two side pieces have pre-drilled holes that need to face up.



### Step 2.

Fasten the 2x6 frame together using four 2 1/2" wood screws at each corner.

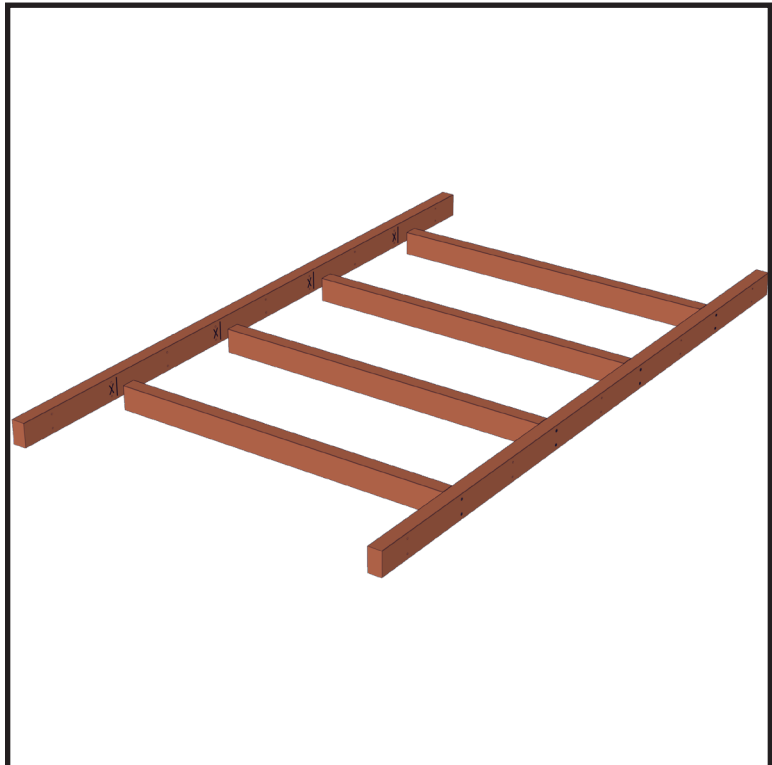


### Step 3.

Locate the 34 1/4" 2x3 end pieces and place them on the inside ends of the 2x6 frame.

Center them on the frame and keep them down 3/4" from the top of the 2x6's.

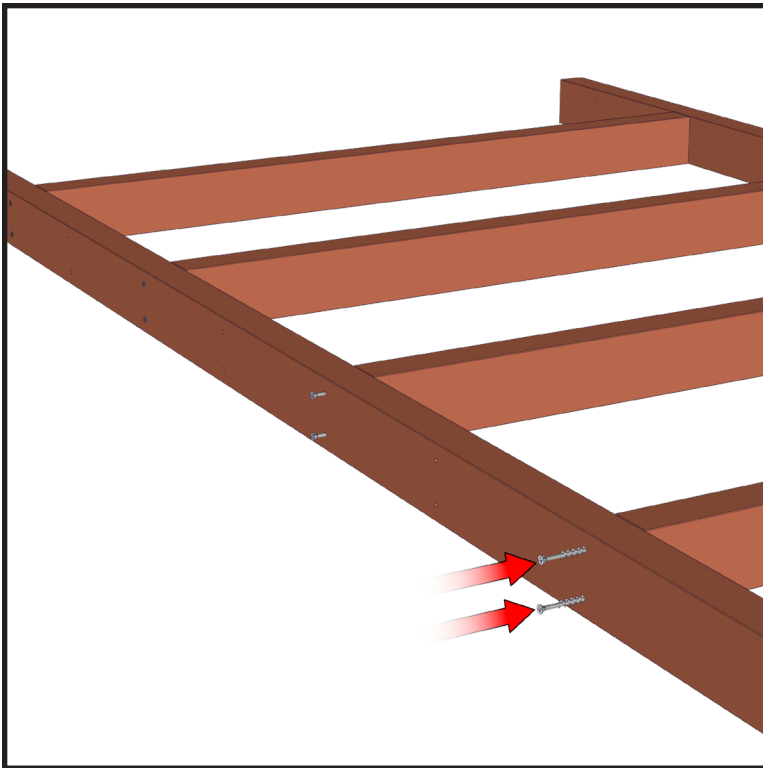
Fasten the 2x3's to the 2x6's using 2 1/2" wood screws through the pre-drilled holes.



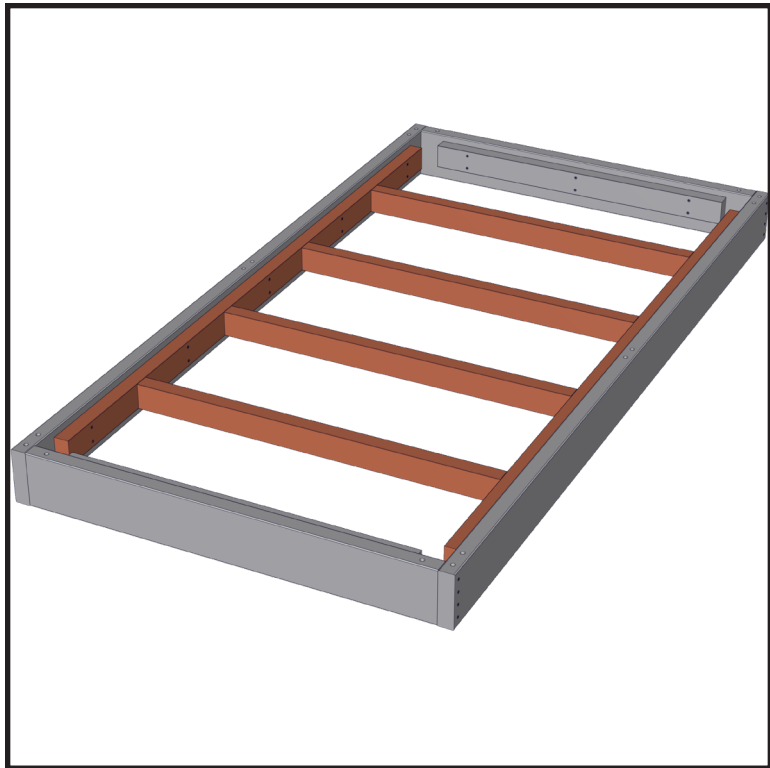
### Step 4.

Locate two 72 1/4" 2x3 pieces and four 36 15/16" 2x3 floor joists.

Arrange them as shown above using the floor joist markings on the side 2x3's to position the 2x3 joists.



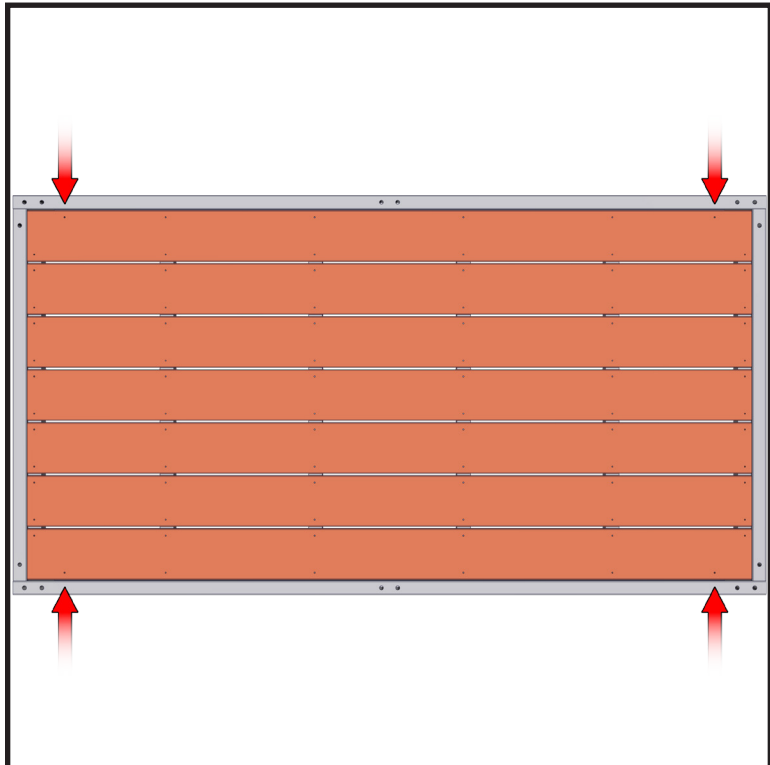
**Step 5.**  
Fasten the floor joists using 2 ½" wood screws through the pre-drilled holes.



**Step 6.**  
Place the 2x3 frame inside the 2x6 frame and center it. Keep the 2x3 frame down ¾" from the top of the 2x6's then fasten it with 2 ½" wood screws through the pre-drilled holes.

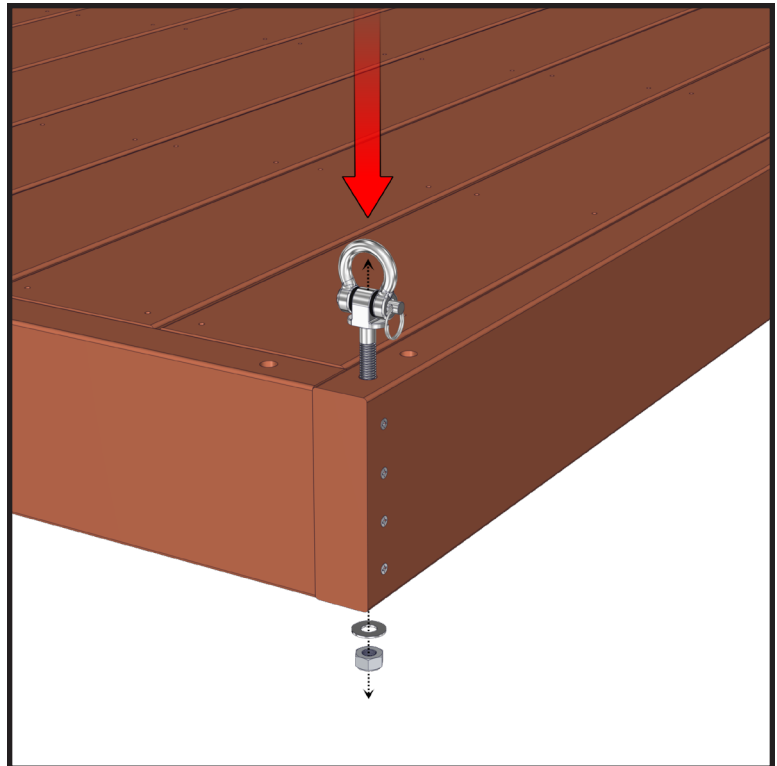
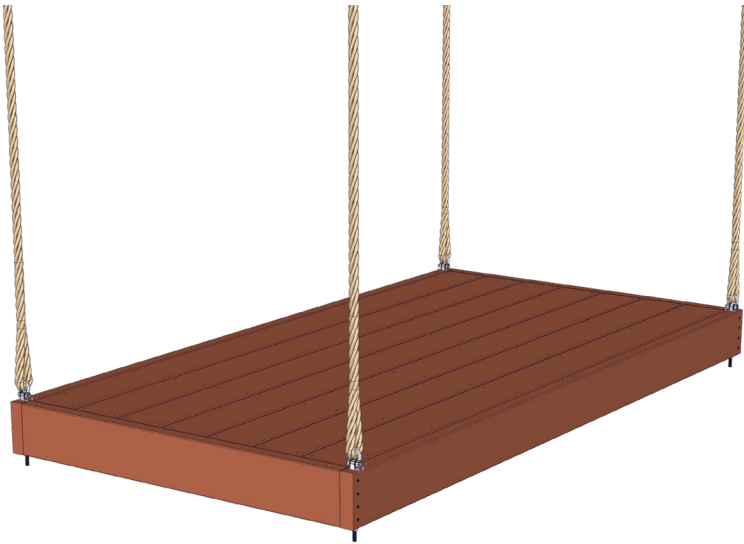


**Step 7.**  
Place a 2x3 brace in each corner of the 2x3 inner frame. Fasten these with 2 ½" wood screws.



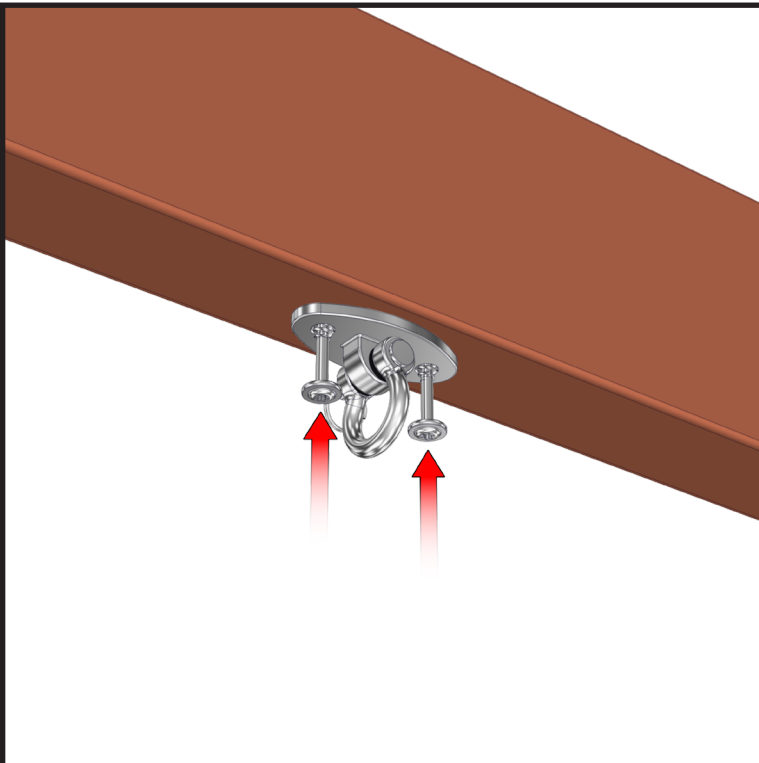
**Step 8.**  
Place the floorboards in position and space them out evenly on the frame. Notice how the two side boards have offset holes for the corners. Fasten the floorboards using 1 ½" wood screws.

## Rope Assembly



### Step 1.

Locate four  $\frac{3}{8}$ " threaded rod assemblies and insert them in the end holes on the side 2x6's. Fasten these with a  $\frac{3}{8}$ " washer and a  $\frac{3}{8}$ " locking nut.



### Step 2.

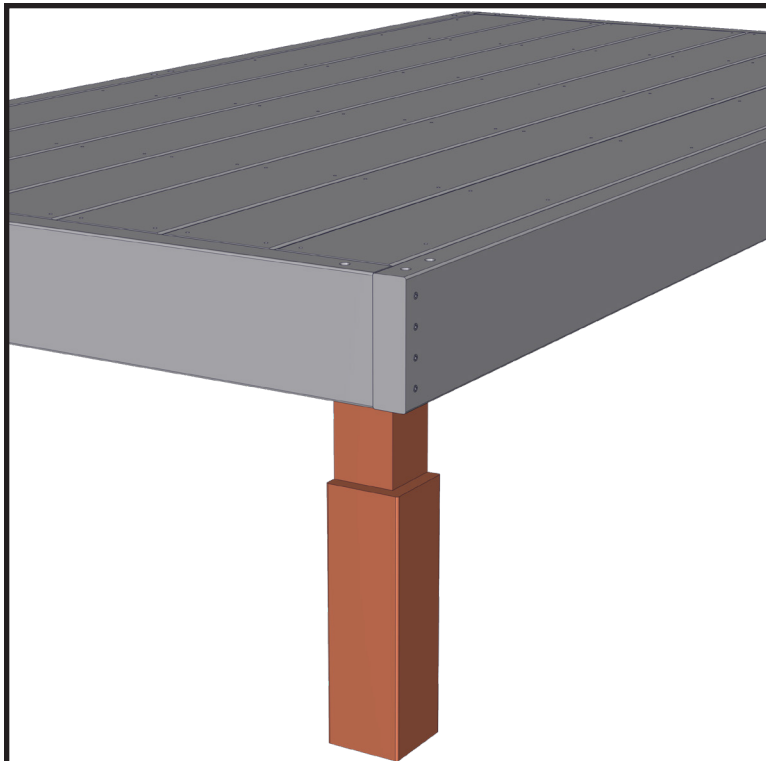
Fasten the rope brackets to a secure mounting surface using 2" star head lags.



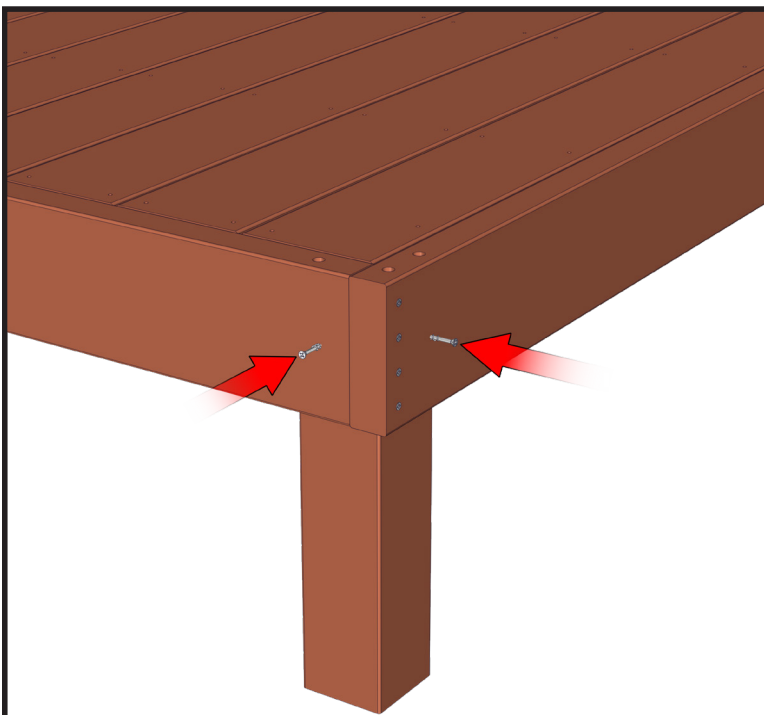
### Step 3.

Hang the bed on the ropes and adjust them until the bed is level.

## Legs Assembly



**Step 1.**  
Place a 4x4 post at each corner of the bed frame with the notches facing out.



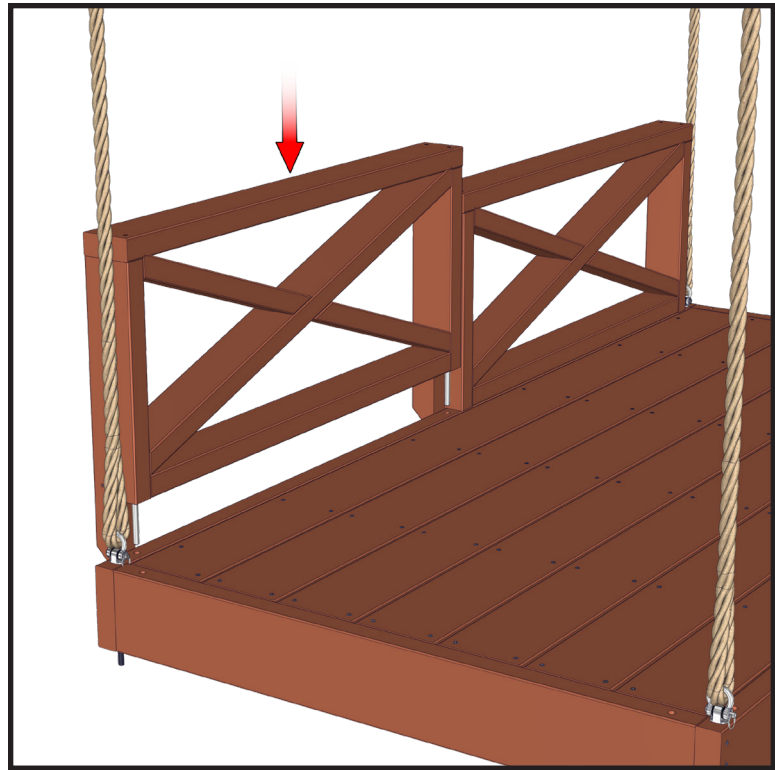
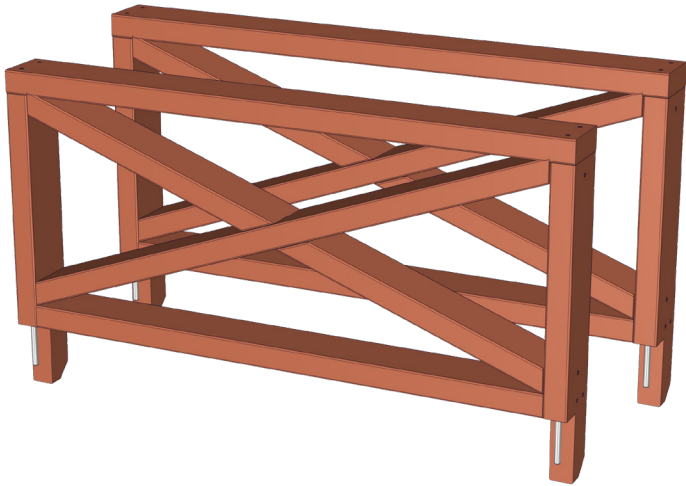
**Step 2.**  
Fasten 4x4 post using 2 1/2" wood screws through the 2x6 frame.



**Finished Bed**

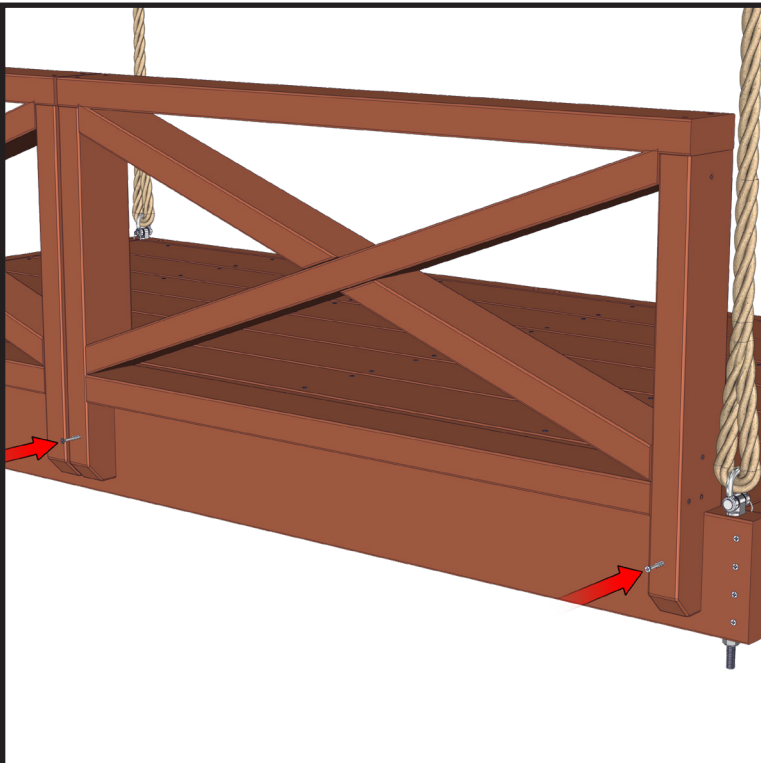


## Railing Assembly



### Step 1.

The 2x6 frame pieces have holes drilled for the railings on all sides so the railings can be placed anywhere.



### Step 2.

Fasten the railings to the frame using 2 1/2" wood screws.

