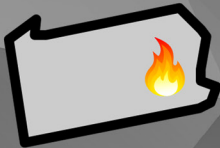
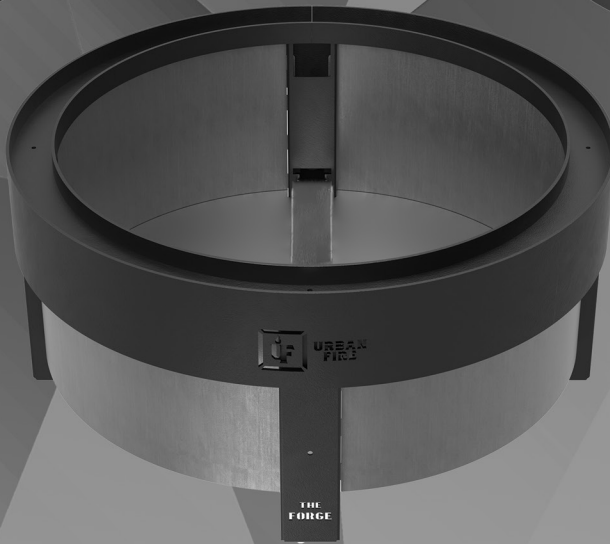
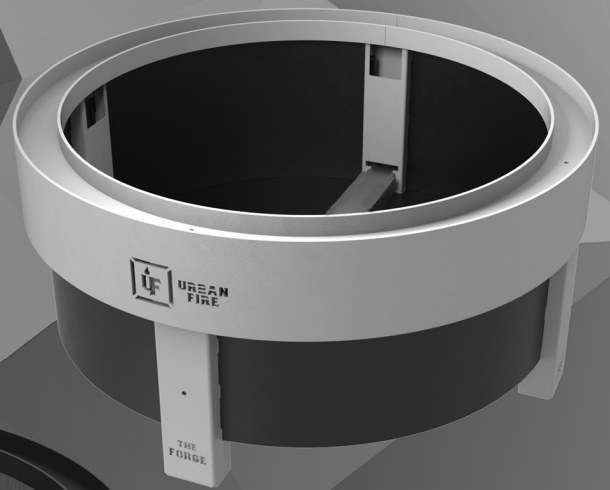




**URBAN  
FIRE**

# **THE FORGE<sup>TM</sup>**

**ASSEMBLY MANUAL/ USE AND CARE**



**PROUDLY MADE IN  
LANCASTER  
COUNTY, PA. USA**



**urbanfire.co**

271 S. Shirk Rd. New Holland, PA. 17557  
(717) 609- 1587



# URBAN FIRE

The Forge™ is the premiere Smokeless fire pit from Urban Fire™ ... and it is BIG. With an inside diameter of almost 30 inches, The Forge can handle more fire wood than any other smokeless fire pit on the market. The Forge is fully collapsible, making it easier to pack up for easy storage, or on the go. We used science to create a better atmosphere for you and your family around the fire. The Forge pulls air in from two sources: protected air holes in the base, and through hollow legs. The air gets pulled inside the bottom of each leg. As it rises through the leg, the air becomes super heated as your fire's internal temperature reaches up to 1,500°F. The super heated air is expelled through the top of the leg, right under the top ring, mixing with the smoke coming off the fire. This ignites a secondary burn of the smoke, nearly eliminating all visible fumes coming from your Forge. Add any of our accessories that take advantage of our Multi-Purpose Channel that displays your favorite color fire glass, like the Adjustable Swivel Grill, The Blade™ Searing Attachment, or the Channel Guards. With The Forge, the future is limitless!

## ACCESSORIES



**FIRE GLASS**



**ADJUSTABLE SWIVEL GRILL**



**CHANNEL GUARDS**



**THE BLADE®  
SEARING ATTACHMENT**



**MORE TO COME!**



# WHAT'S IN THE BOX



**(T)**  
**TOP RING**



**(F)**  
**"THE FORGE" LEG**



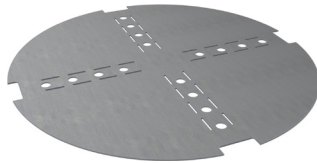
**(L)**  
**LOGO LEGS (X3)**



**(W)**  
**SIDE WALLS (4)**



**(A)**  
**AIR CHANNELS  
COVERS (4)**



**(B)**  
**BASE PLATE**



**HARDWARE PACK**

<u>Hardware Contents</u>	
•	(4pcs) 1/4-20 x 0.5 Bolts (Q)
•	(1pc) Snap-In Cap (S)
•	(1pc) 5/32 Hex Wrench (H)



## FIRST FIRE'S ON US!

**4 PACK OF 100% ALL NATURAL. FATWOOD FIRESTARTERS**

### Questions? Issues with Damaged or Missing Parts?

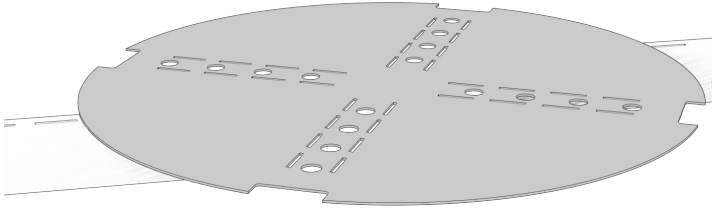


In order to best assist you, please contact YardCraft, the trusted distributor of Urban Fire products, NOT a third party retailer, with any questions regarding our products, damages, missing parts, or replacement parts. This will help you get what you need as quickly as possible! Call us at (717) 690-1587, or Email us at [info@urbanfire.co](mailto:info@urbanfire.co)

## CAUTION

- For outdoor use only.
- Never place directly on deck/patio.
- Never place directly on grass.
- Place on pavers, crushed stone, or another suitable surface to avoid any damage caused by heat and coals.
- Fire pit will be extremely hot when burning; do not touch.
- The use of accelerants will void all manufacturer warranties.
- Burn only dry hardwoods.
- Only operate under adult supervision.

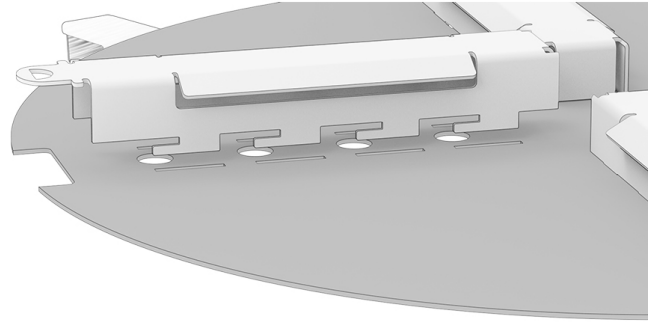




**FIGURE 1**

Step 1: Locate and place 2 Logo Legs (L), on their sides, under the Base Plate (B), as shown in Fig. 1

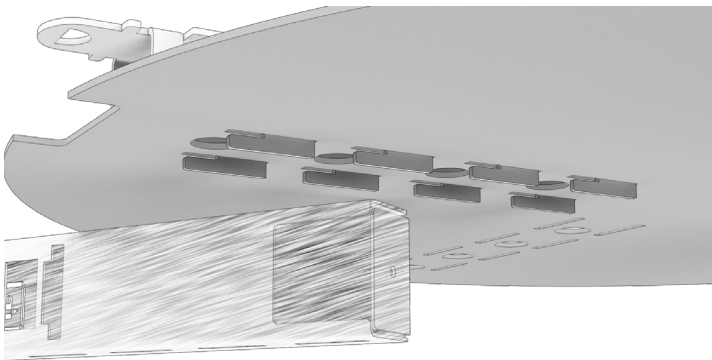
**Note:** Keep the slots for the Air Channel Covers (A) open.



**FIGURE 2**

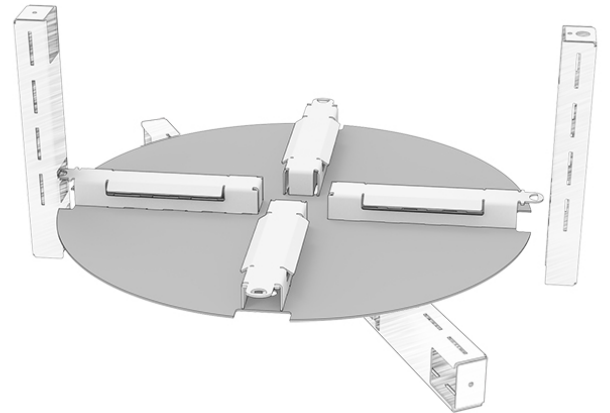
Step 2: Locate and place 4 Air Channel Covers (A) in the rectangle slots on the Base Plate (B), as shown in Fig. 2

**Note:** The closed end of the Air Channel Covers (A) will be facing the center of the fire pit.



**FIGURE 3**

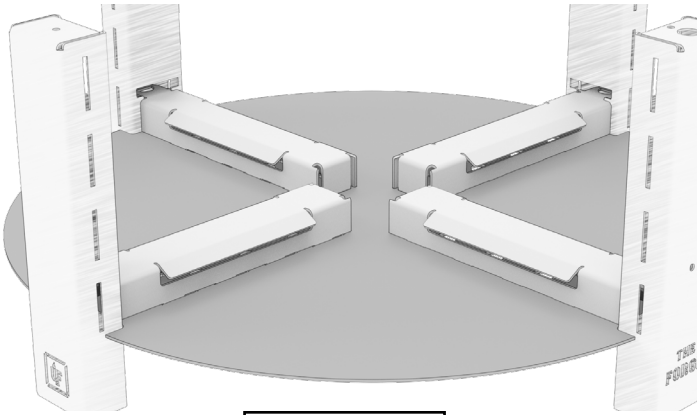
Step 3: Slide all Air Channel Covers (A) outward, or towards the outside of the fire pit, locking them into place, as shown in Fig. 3



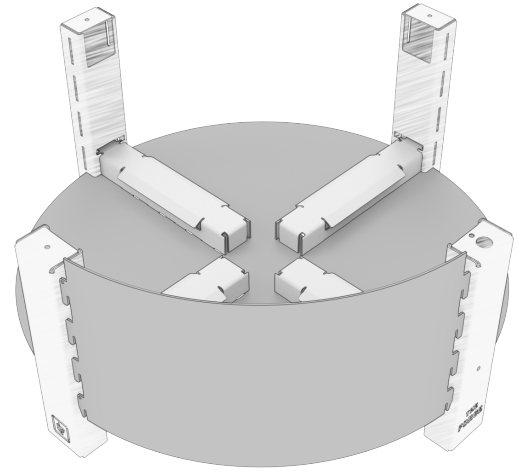
**FIGURE 4**

Step 4: Starting with one Logo Leg (L) and “The Forge” Leg (F), slide the legs into the notches on the Base Plate (B), making sure the Air Channel Covers (A) are inserted in the second slot from the bottom of each leg, as shown in Fig. 4

**Note:** You may need to slightly lift the Base Plate (B) for proper alignment.



**FIGURE 5**

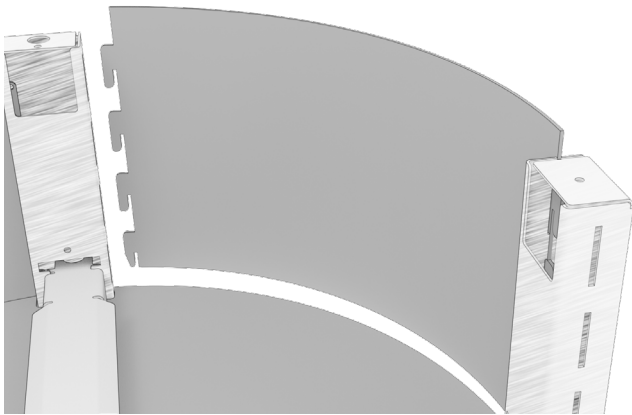


**FIGURE 6**

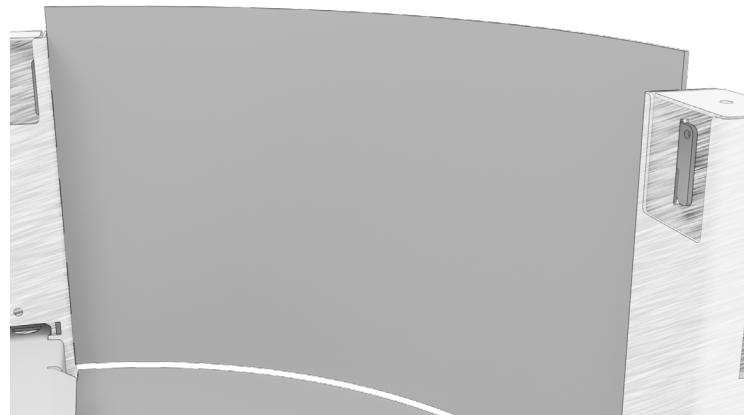
Step5: Repeat Step #4 for the remaining two Logo Legs (L), as shown in Fig. 5

**Note:** When all of the legs are installed, the Base Plate (B) and the Air Channel Covers (A) will drop into place and lock in.

Step6: Locate one Side Wall (W) and align it with the rectangle slots on both legs, as shown in Fig. 6



**FIGURE 7**



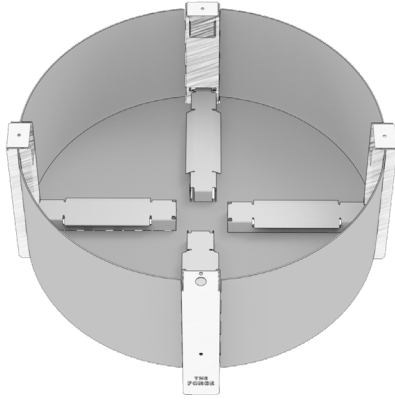
**FIGURE 8**

Step7: Insert the tabs on the Side Wall (W) into one of the legs, as shown in Fig. 7

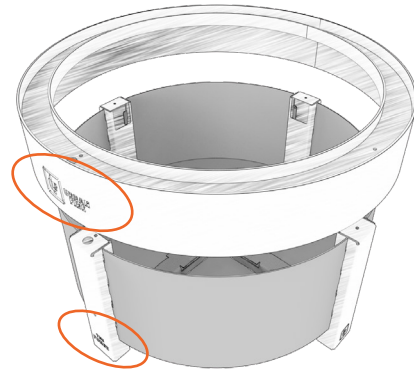
**Note:** Be sure to keep the Side Wall raised until the next step.

Step8: Insert the opposite tabs into the second leg and gently lower the Side wall (W) all the way down, as shown in Fig. 8

**Note:** A light tap with a rubber mallet or your palm may be required to snap the second set of tabs into the slots.



**FIGURE 9**

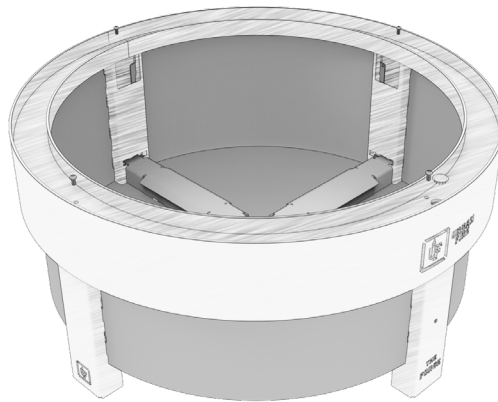


**FIGURE 10**

Step9: Repeat Steps # 6-8 for the remaining Side Walls (W), as shown in Fig. 9

Step10: Locate the Top Ring (T) and lower it over the legs, as shown in Fig. 10

**Note:** Be sure to align the Urban Fire Logo on the Top Ring (T) with “The Forge” Leg (F).



**FIGURE 11**

Step11: Use the provided bolts (Q) to fasten the Top Ring (T) to each Leg (L & F) using the provided Hex Wrench (H), as shown in Fig. 11

**Note:** You may need to push/pull the legs while fastening for proper alignment.

**Note:** An optional Snap Cap (S) is provided to cover the hole used for the Urban Fire Adjustable Swivel Grill

# CONGRATULATIONS!

**YOU HAVE SUCCESSFULLY ASSEMBLED THE FORGE® FIRE PIT!**



**URBAN  
FIRE**

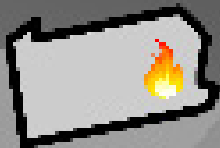
**INTENTIONALLY  
BLANK PAGE**





**URBAN  
FIRE**

# **URBAN FIRE™ ADJUSTABLE SWIVEL GRILL**



**PROUDLY MADE IN  
LANCASTER  
COUNTY, PA. USA**



[urbanfire.co](http://urbanfire.co)

ASSEMBLY MANUAL / USE AND CARE GUIDE



# URBAN FIRE

Transform your fire pit into a grill! Made out of Stainless Steel with 5/8 inch spacing, this kit includes the cooking grate, 20 inch grill pole, stainless steel knob, two thumb screws and a wing nut, and a grill stake.

The pole secures to the leg with the 2.25 inch thumb screw and secures to the stake with the 1.25 inch thumb screw. Fully adjustable vertically and horizontally, this grill will have your neighbors peeking over the fence!

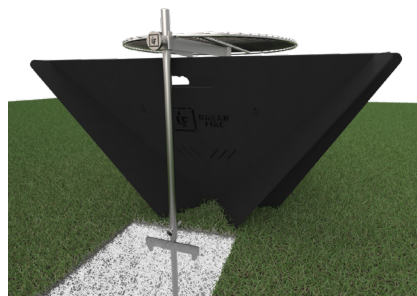
## COMPATIBLE PRODUCTS



**THE FORGE**



**THE FARRIER**



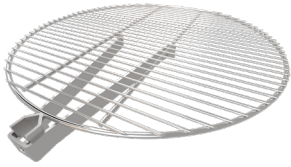
**THE VULCAN**



**THE ANVIL**



# WHAT'S IN THE BOX



**(G)**  
**20" GRILL GRATE**



**(P)**  
**20" GRILL PIPE**



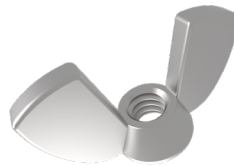
**(K)**  
**GRILL GRATE KNOB**



**(S)**  
**GROUND STAKE**



**(2QB)**  
**2.25" BOLT**



**(W)**  
**WING NUT**



**(1QB)**  
**1.25" BOLT**



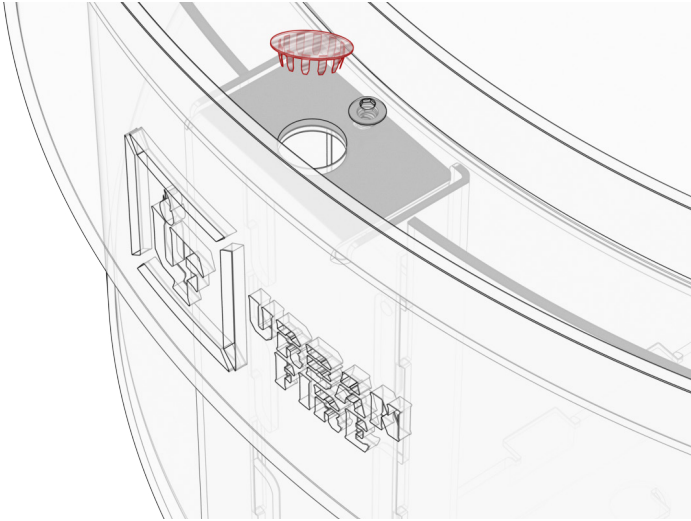
## SOLD SEPERATE



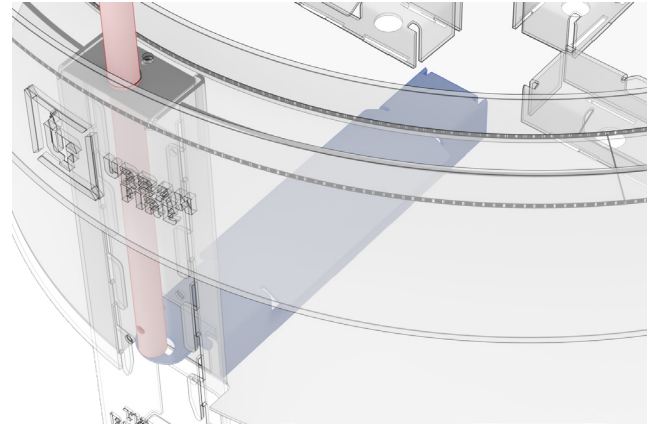
The Urban Fire™ Grill Mounting Bracket is made to attach the Urban Fire Adjustable Swivel Grill to The Farrier Fire Pit, and The Anvil Fire Pit. Instead of staking it into the ground, now you can mount it directly to your fire pit!

- CLEAN ALL COMPONENTS WITH WARM WATER AND LIGHT SOAP PRIOR TO FIRST USE.
- IF USING THIS KIT WITH THE FORGE OR THE HEARTH, BE SURE TO INSTALL PRIOR TO LIGHTING YOUR FIRE.
- WHEN FINISHED COOKING, THOROUGHLY BRUSH GRILLING SURFACE WITH A WIRE GRILL BRUSH.

## INSTALLING ON THE FORGE™



**FIGURE 1B**

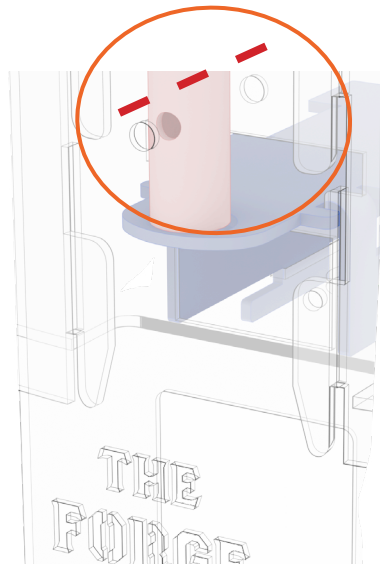


**FIGURE 2B**

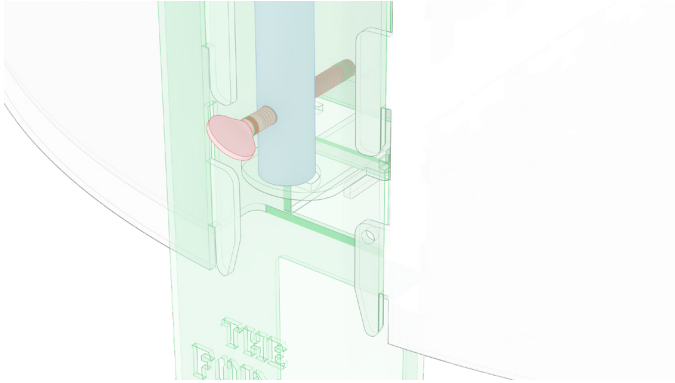
Step 1: Locate and remove the Snap-in Cap (S) if installed, as shown in Fig. 1B.

Step 2: Locate and install the 20" Grill Pole (P) through the large hole located at the top of The Forge Leg (F) and the Top Ring (T), as shown in Fig. 2B.

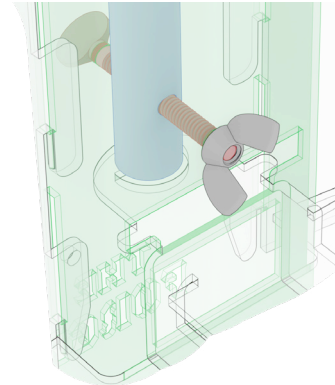
**Note:** Be sure to align the holes in "The Forge" Leg (F) and 20" Grill Pole (P). The 20" Grill Pole (P) will rest on top of the Air Channel Cover (A), as shown in Fig 2C.



**FIGURE 2C**



**FIGURE 3B**

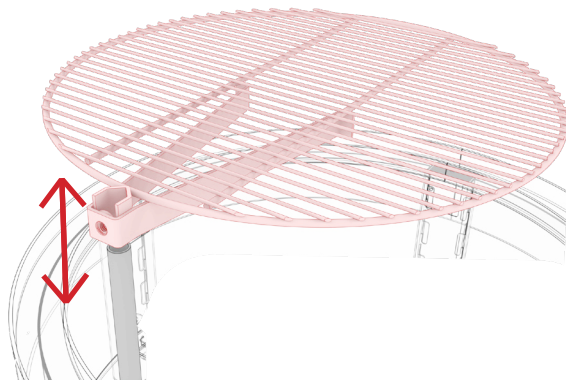


**FIGURE 4B**

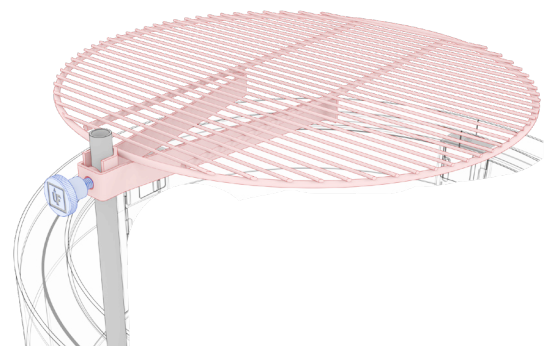
Step3: Locate and install the provided 2.25” Bolt (2QB), as shown in Fig. 3B.

**Note:** You may need to slightly rotate the 20” Grill Pole (P) back and forth to get the bolt (2QB) all the way through.

Step4: Locate and install the Wing Nut (W), as shown in Fig. 4B.



**FIGURE 5B**

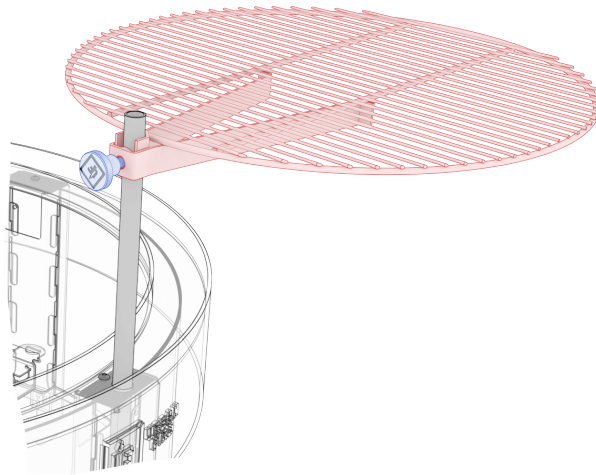


**FIGURE 6B**

Step5: Locate and position the 20” Grill Grate (G), as shown in Fig. 5.

Step6: Position the Grill Grate (G) at the desired height, then locate and install the Grill Grate Knob (K), as shown in Fig. 6B.

**Note:** The Grill Grate (G) will stay at the set height until you loosen the Knob (K) and slightly lift the Grill Grate (G).



**FIGURE 7B**

Step7: Adjust the height and the angle of the Grill Grate (G) by loosening the Knob (K), as shown in Fig. 7B.

**Note:** You can also swivel the Grill Grate (G) without loosening the Knob (K), however, this may result in scratches on the pole (P).

# **CONGRATULATIONS!**

**CHECK OUT SOME MORE AWESOME COOKING PRODUCTS**

**THE FORGE™  
CHANNEL GUARDS**



**THE BLADE™  
SEARING ATTACHMENT**