

# Titan Playset

## ASSEMBLY MANUAL



**YardCraft**  
rediscover life outdoors

866-210-9273

YARDCRAFT.COM

271 S Shirk Road  
New Holland PA 17557



**YardCraft**  
rediscover life outdoors

Race to the edge of Saturn on YardCraft's Titan Vinyl Playset!

With two slides, a rock climbing wall, monkey bars, and swings for up to seven kids, you'll be the hit of the entire neighborhood!

There's an even a hammock swing for you to relax while the children play!

The vinyl construction keeps this playset low in maintenance but keeps the fun factor high.

The Titan Vinyl Playset will enhance the appearance of your backyard, while also making it a one-stop-shop for having fun and making memories!

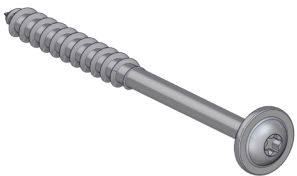
### Tools Required

- 25' Tape Measure
- 9/16" Wrench
- Cordless Drill and Drill Bits
- 4' Step Ladder

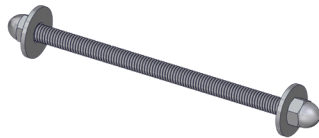
### Tools Included

- #2 Square Drive Bit
- T30 Star Drive Bit

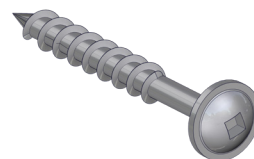
### Hardware



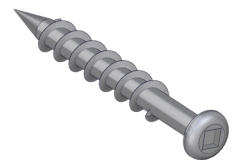
Lags



Threaded Rods, Nuts and Washers



Washer Head Screws



Vinyl Screws

Lower Tower		
Part No.	Type	Quantity
1A	54" 4x4 Post	2
1B	73 1/2" 2x6	2
1C	56" 2x6	5
1D	81 1/4" 2x6 Legs	4
1E	79 1/2" 2x6	2
1F	66 1/4" 2x6	1
1G	15 1/2" 2x6 Brace	4
1H	56" 2x4 Joists	3
1I	Floorboards	11
1J	33 1/2" Poly Slats	8

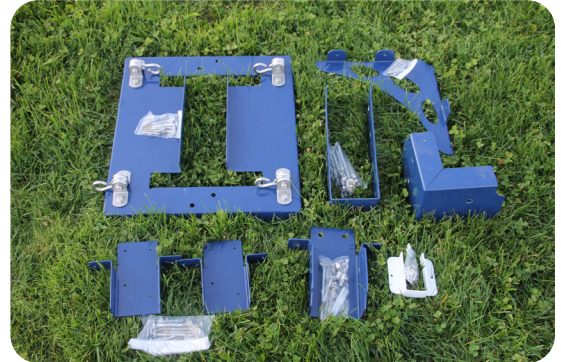
Upper Tower		
Part No.	Type	Quantity
1K	128" 4x4 Post	2
1L	74" 4x4 Post	2
1M	56" 2x6	9
1N	56" 2x4 Joists	3
1O	Floorboards	11
1P	33 1/2" Poly Slats	20
1Q	23 1/2" Poly Slats	8

Roof		
Part No.	Type	Quantity
2A	104" 2x4	3
2B	61" 2x4	3
2C	51" 2x4	3
2D	28" 2x4	2
2E	55 1/4" 2x4	2
2F	52 3/4" 2x4	1
2G	Upper Tarp Roof	1
2H	Lower Tarp Roof	1
2I	2x4 Roof Brackets	3
2J	2x4 Support Brackets	2

Swing Frame		
Part No.	Type	Quantity
3A	14' 2x6 Swing Beam	1
3B	117" 4x4 End Post	1
3C	117" 2x4 Ground Runner	1
3D	110 5/8" 2x4 Braces	2
3E	Beam Strap Bracket	1
3F	Corner Bracket	1
3G	End Bracket	1
3H	Swing Bearings	

Climbing Set		
Part No.	Type	Quantity
5A	Top Ladder	1
5B	End Ladder	1
5C	117" 2x4 Ground Runner	1
5D	87" 2x4 Braces	2
5E	2x6 End Brackets	2

## Parts List



Accessories		
Part No.	Type	Quantity
4A	5ft Ladder	1
4B	2ft Ladder	1
4C	Ladder Handrail	1
4D	Cargo Net	1
4E	Rock Wall	1
4F	10ft Avalanche Slide	1
4G	14ft Avalanche Slide	1
4H	Tic Tac Toe Panel	1
4I	Telescope	1
4J	Binoculars	1
4K	Tire Swing	1
4L	Hammock Swing	1
4M	Belt Swings	2
4N	Trapeze Swing	1
4O	Glider Swing	1
4P	Glider Swing Bracket	1

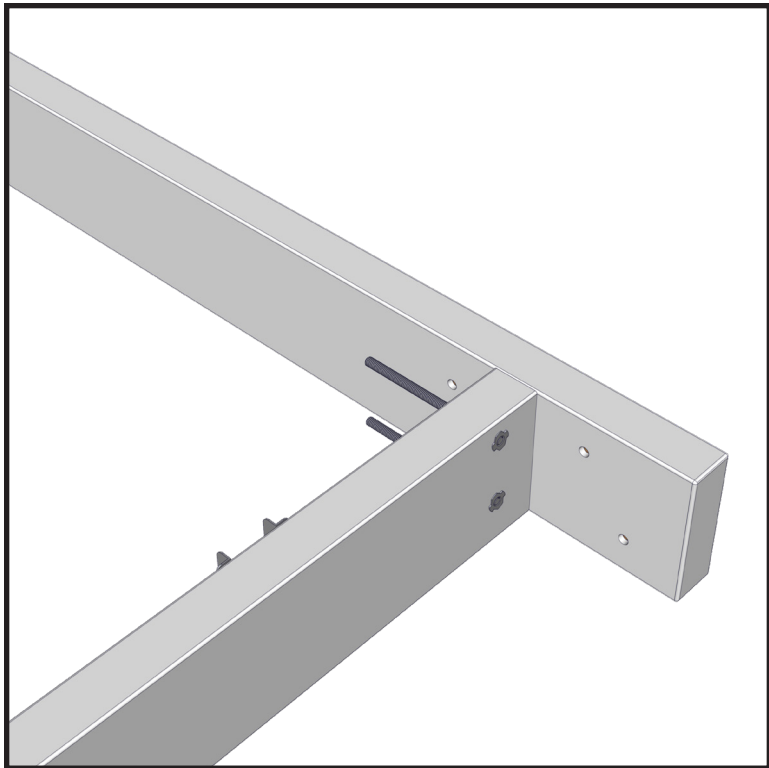
Hardware		
Part No.	Type	Quantity
6A	2x6 Corner Brackets	6
6B	2x4 Joists Hangers	12
6C	3/8" Threaded Rods	
6D	3/8" Acorn Nuts	
6E	3/8" Washers	
6F	1 3/4" Washer Head Screws	
6G	1 1/2" Vinyl Screws	
6H	Lags	



**Step 1.**

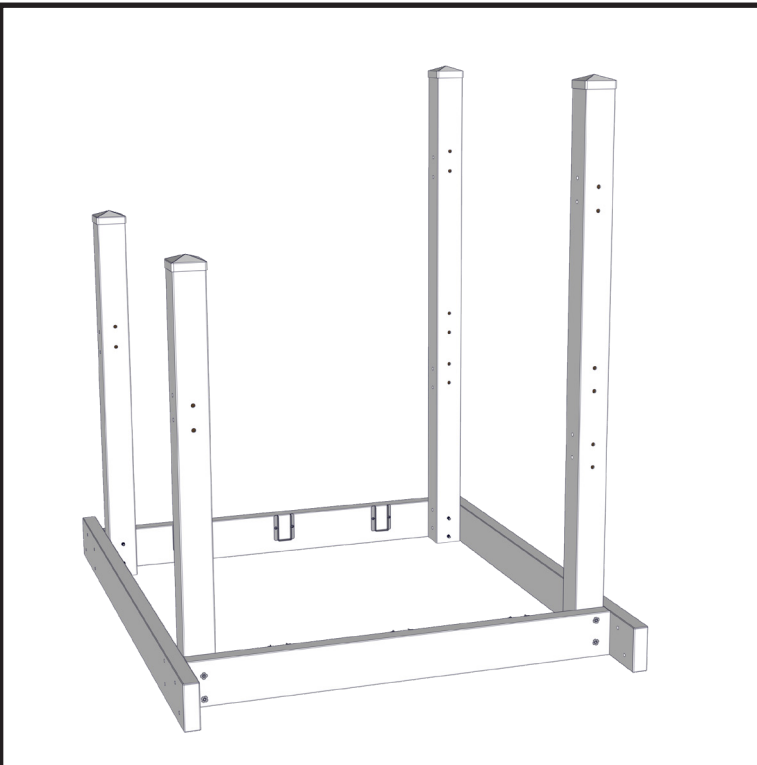
Begin the 5ft platform assembly by locating the two 56" 2x6's (1C) with the joist hangers attached. Place them as shown with the joist hangers facing in.

Next place the two 73 1/2" 2x6's (1B) on the outside.



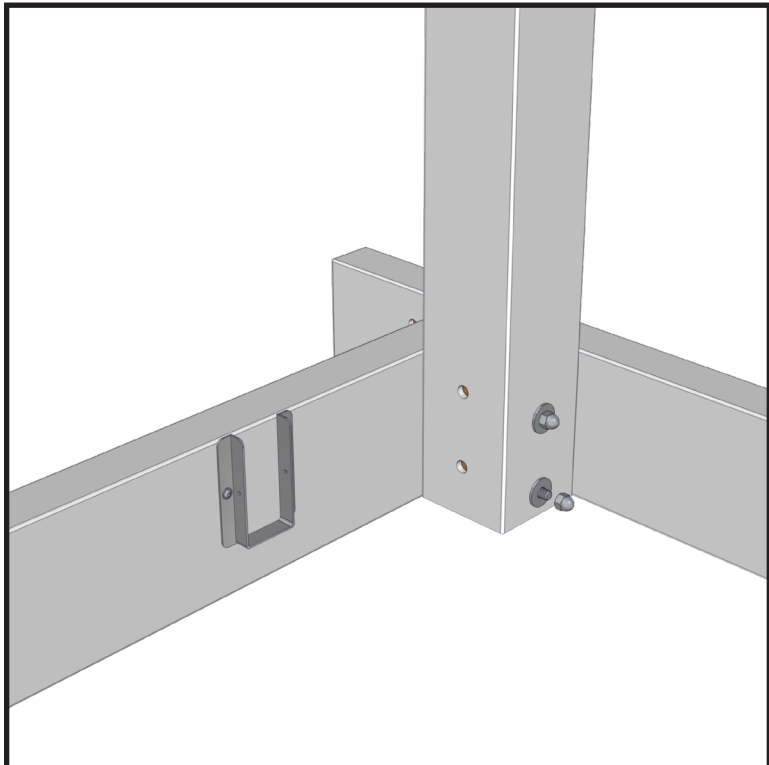
**Step 2.**

Thread eight 6 3/8" threaded rods (6C) into the 56" 2x6's. Turn them in by hand until they are flush with the t-nuts.



**Step 3.**

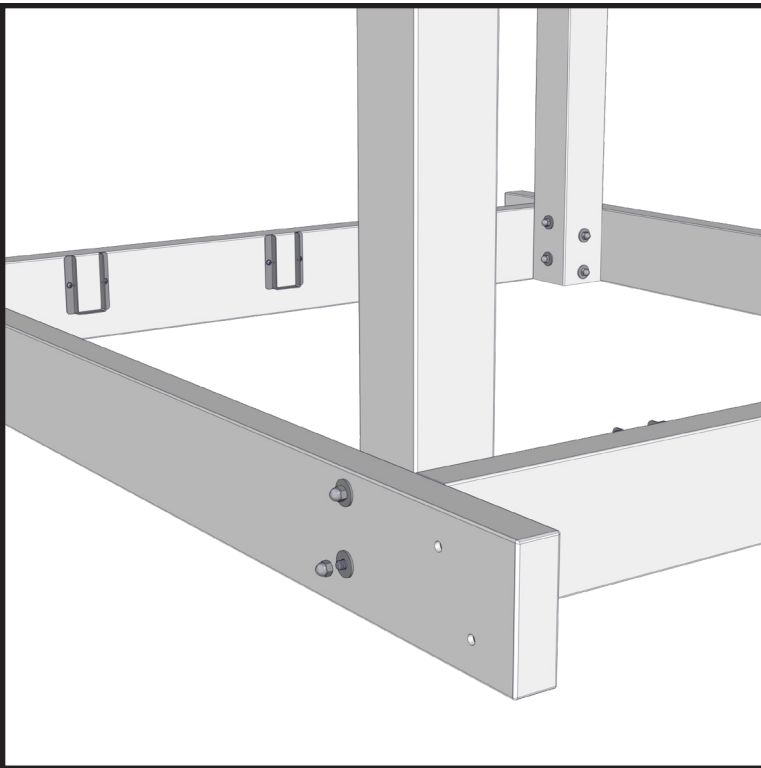
Place two 54" 4x4 posts (1A) and two 74" 4x4 (1L) in place. These are pre-drilled for the threaded rods, notice how the holes are offset and need to align with the holes in the 2x6's.



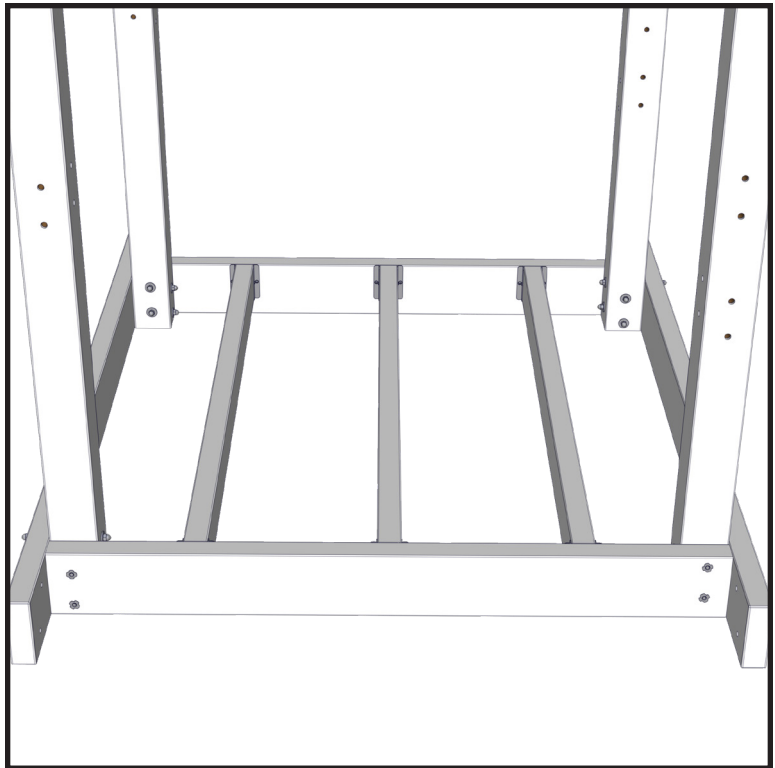
**Step 4.**

Fasten the 4x4 posts in place with washers and acorn nuts over the threaded rods. (6E) (6D)  
Only hand tighten these at this point.

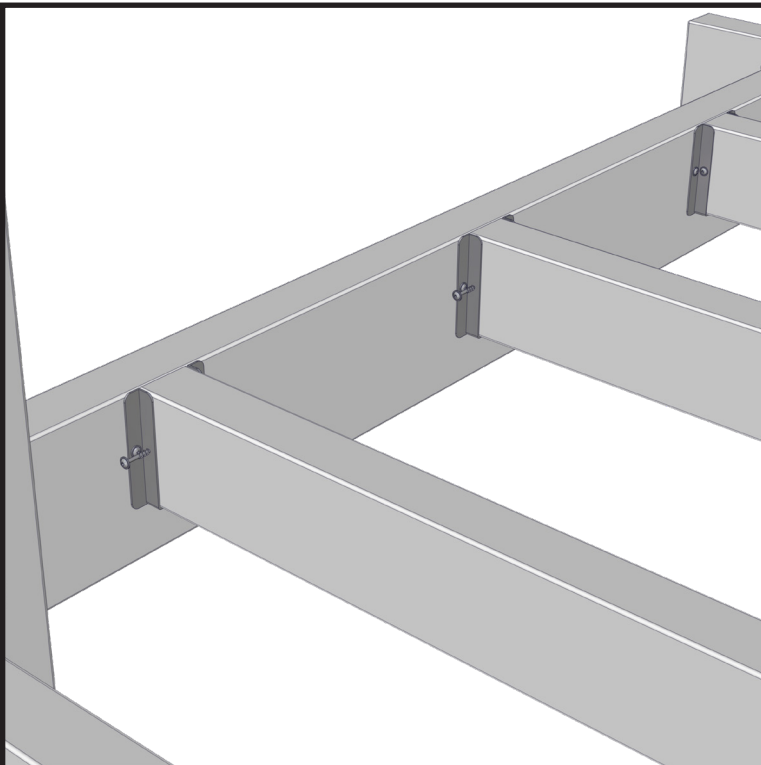




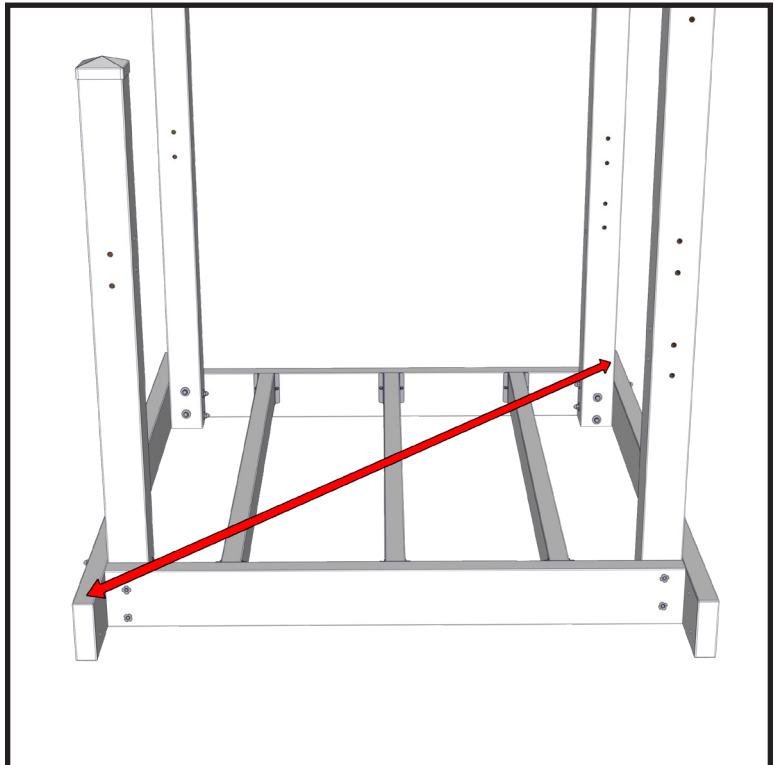
**Step 5.**  
Fasten the posts to the side 2x6's using 6 7/8" threaded rods, washers and acorn nuts.  
At this point you can go around and tighten all the nuts.



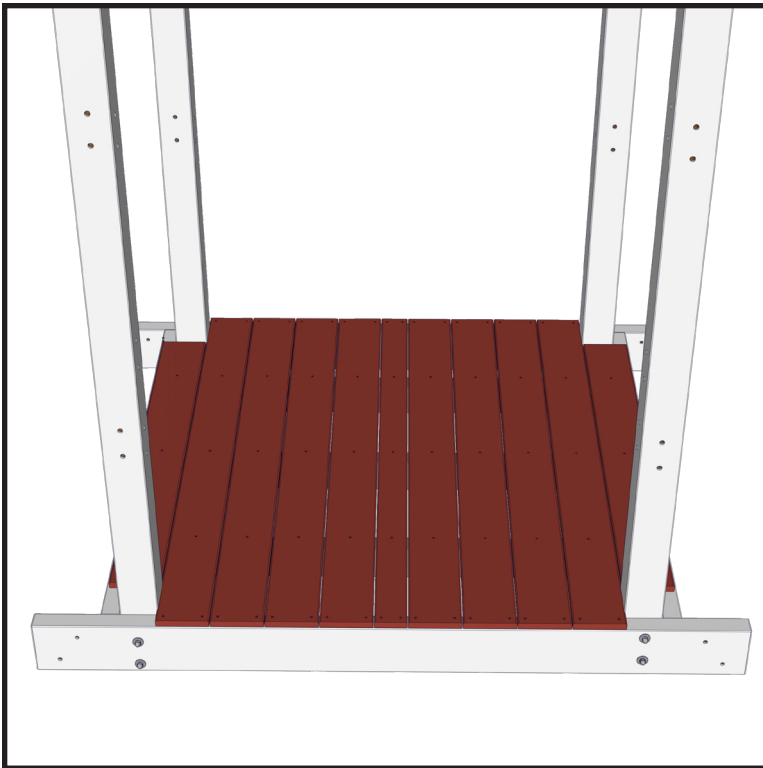
**Step 6.**  
Install three 56" 2x4 floor joists (1H) in the joist hangers.



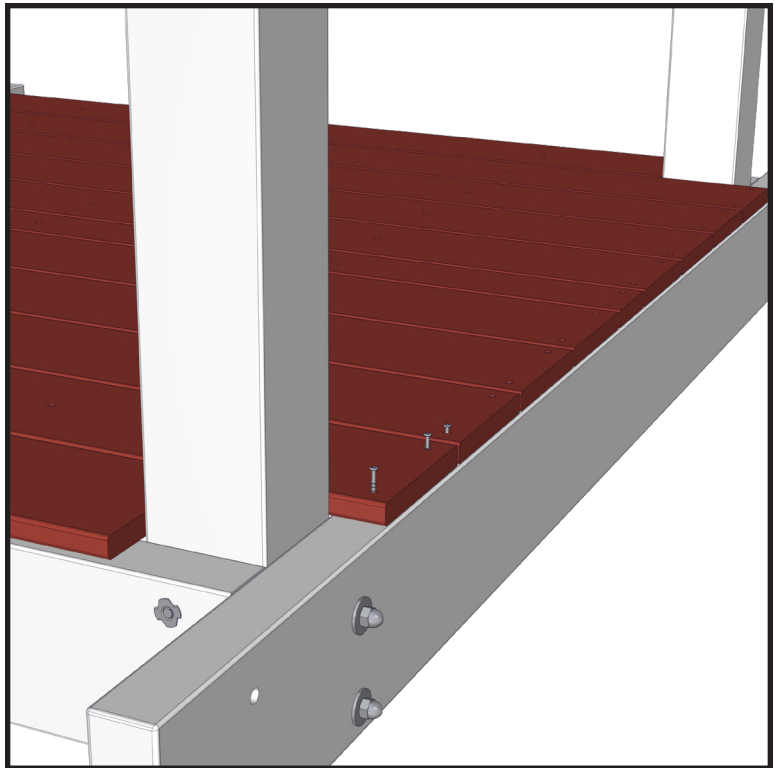
**Step 7.**  
Fasten the floor joists through the joist hangers using 1 3/4" washer head screws. (6F)



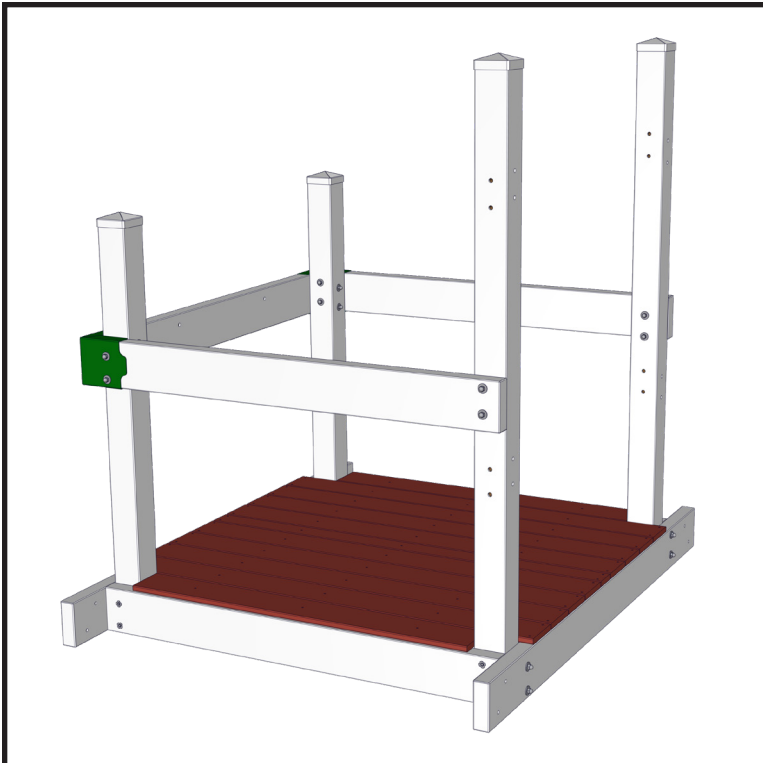
**Step 8.**  
Before you install the floor measure across the corners to square the frame.



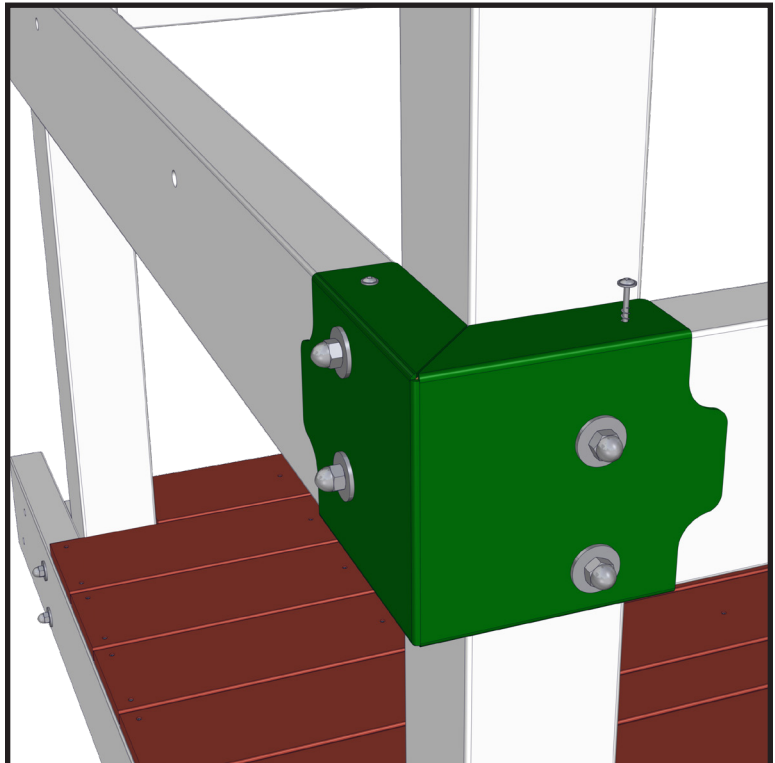
**Step 9.**  
Lay the floorboards (1I) into position.  
Notice the narrow one in the center and the two short ones on either side.



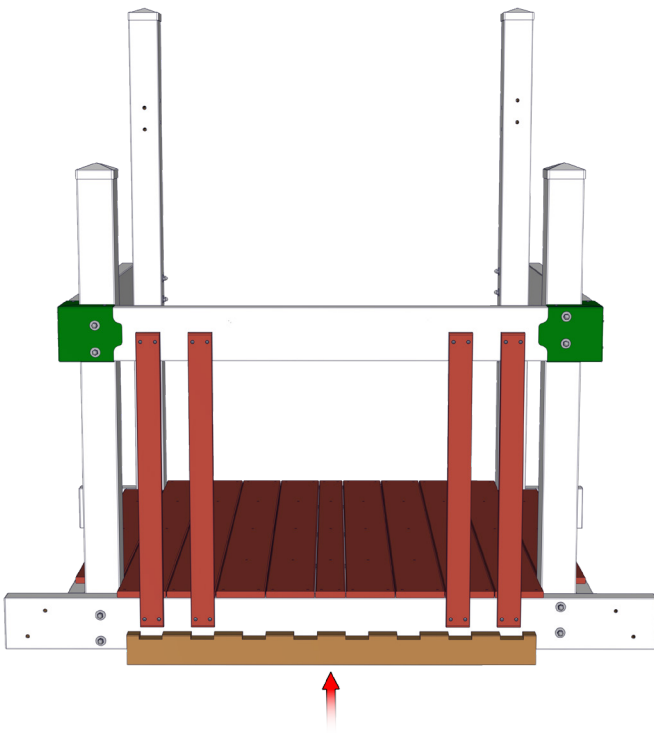
**Step 10.**  
Center the floorboards and fasten them with 1 1/2" vinyl screws.  
(6G)



**Step 11.**  
After the floor is finished assemble the railing section using three 56" 2x6's, 2x6 corner brackets (6A) and 6 7/8" threaded rods with washers and acorn nuts.  
Two of the 2x6's have vinyl caps on one end, these caps get placed on the side with the 74" 4x4's.

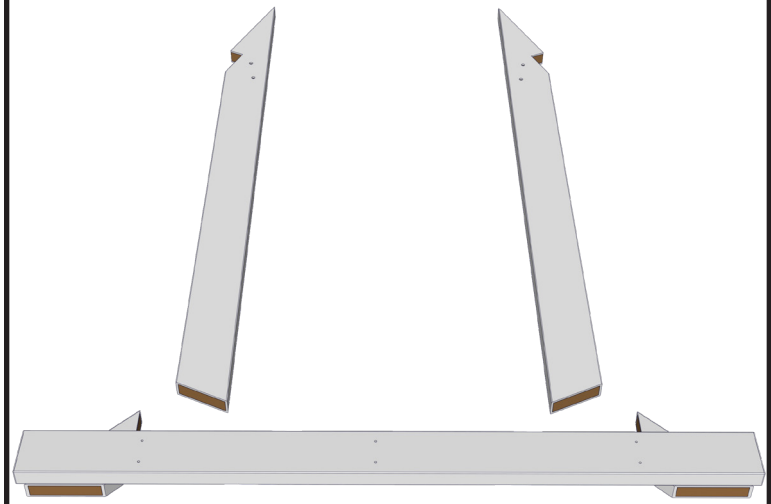


**Step 12.**  
Fasten the top and bottom of each 2x6 corner bracket with 1 3/4" washer head screws.



**Step 13.**

The next step is to fasten four poly slats (1J) to the 56" 2x6 to complete the railings.  
Use the included template to align the slats then fasten them with 1 3/4" washer head screws.



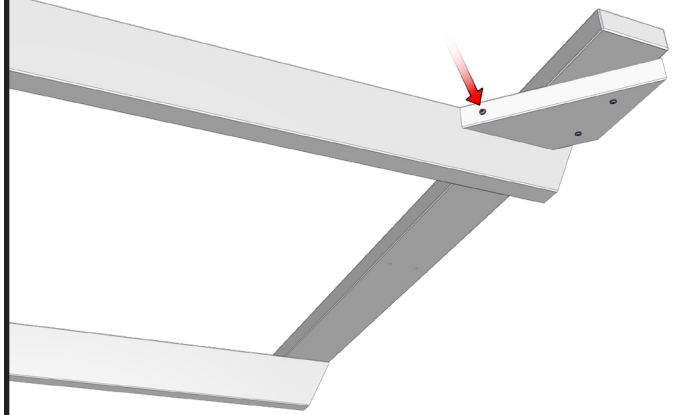
**Step 14.**

Prepare to assemble the legs by locating these pieces. There are two 81 1/4" 2x6's (1D) for the sides and one 79 1/2" 2x6 (1E) for the bottom. The bottom 2x6 will have two 15 1/2" (1G) 2x6 braces already attached.



**Step 15.**

Set the side 2x6's upright and set the bottom 2x6 on top. Keep the bottom 2x6 even with the long point on the side 2x6's. Fasten them together with four 3 1/2" lags (6H) in the predrilled holes.

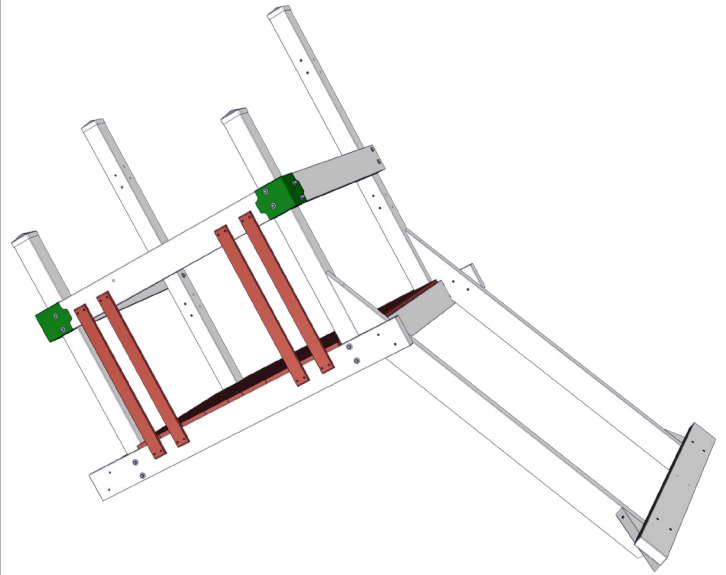


**Step 16.**

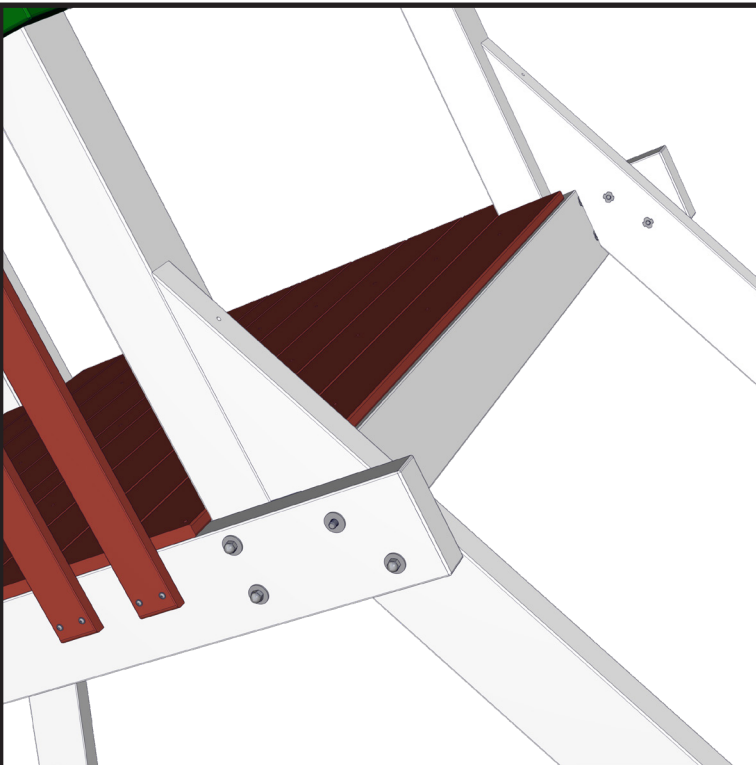
Fasten the 2x6 brace to the side 2x6 using the same lags.



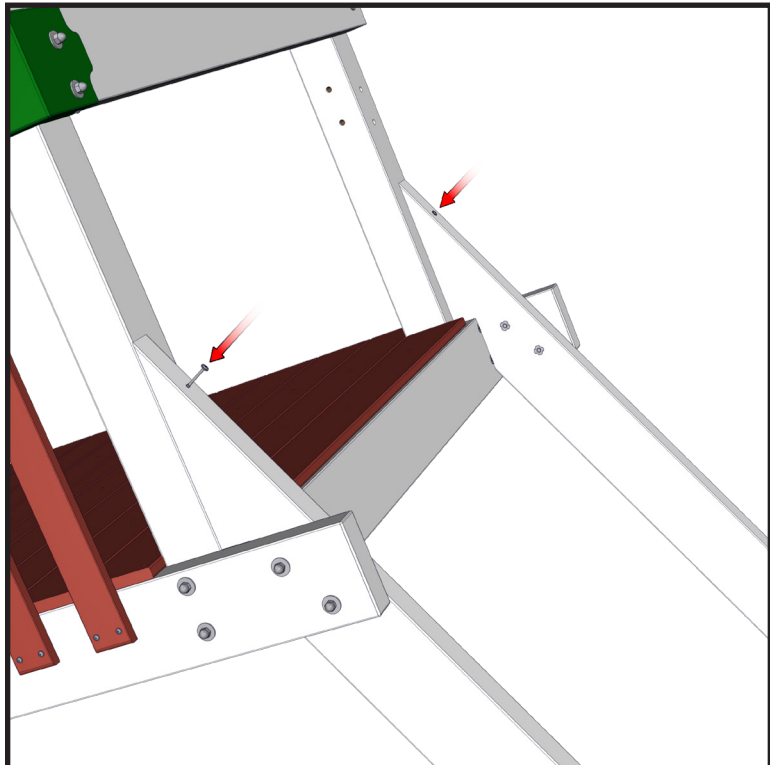
**Step 17.**  
Repeat steps 15-17 to assemble the opposite leg.



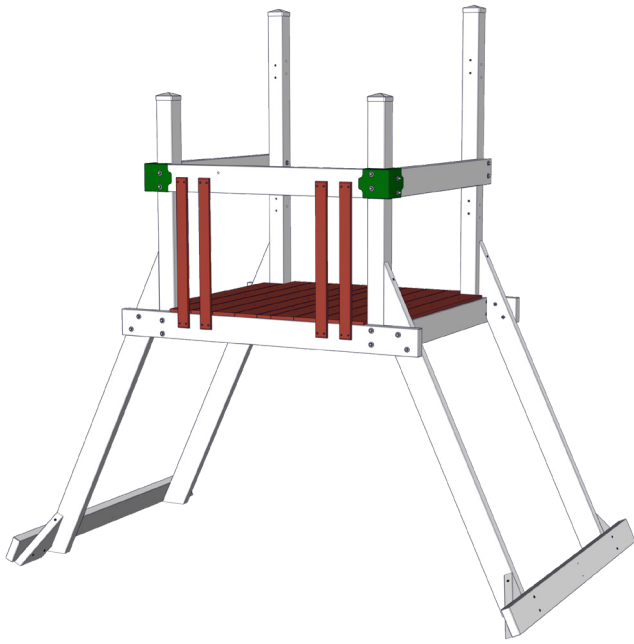
**Step 18.**  
Lift one side of the tower up and place one of the legs into place.



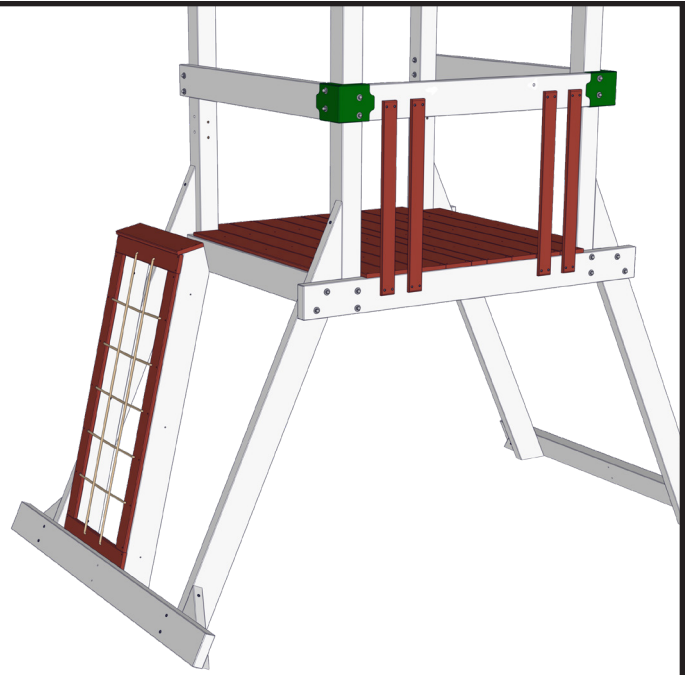
**Step 19.**  
Fasten the legs using four 4" threaded rods.  
Insert the threaded rods through the predrilled holes then thread them into the t-nuts.  
Fasten the outside using washers and acorn nuts.



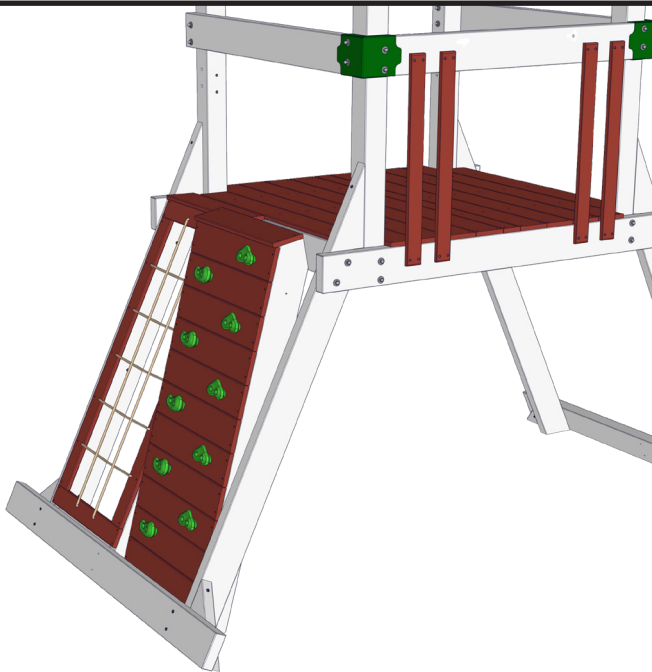
**Step 20.**  
Use a 4" lag in the predrilled hole on the end of the 2x6 leg to finish fastening them.  
You may have to pre-drill the 4x4 with a 1/4" bit to get it started.



**Step 21.**  
Repeat steps 18-20 to finish the legs.



**Step 22.**  
Locate the cargo net, rock wall and ladder panels and prepare to install them. (4D) (4E) (4A)  
These are all interchangeable with each other and can be arranged however you like.  
There will be a empty spot next to one of the panels for the slide.

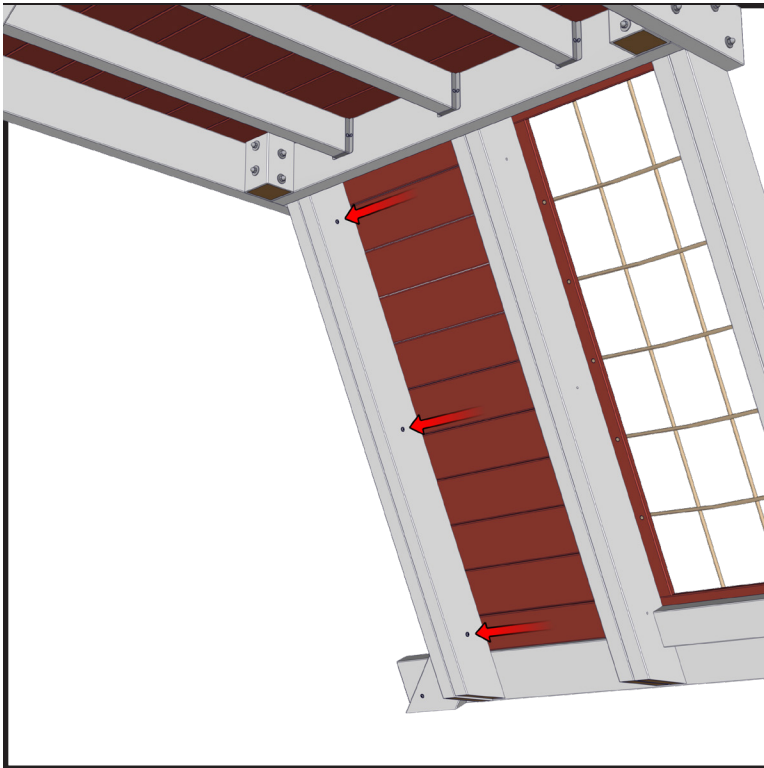


**Step 23.**  
Rock wall panel. (4E)

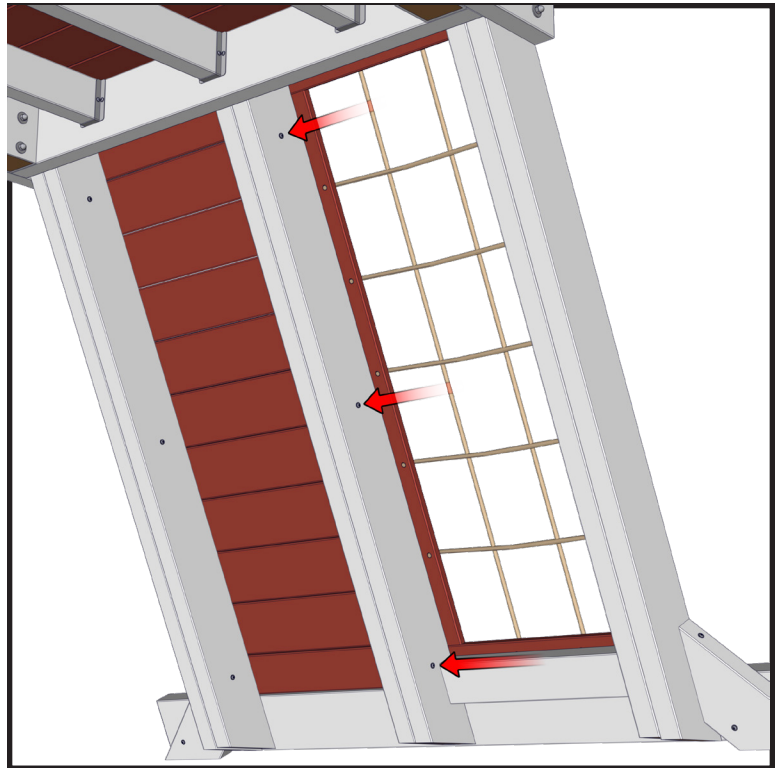


**Step 24.**  
Ladder panel. (4A)

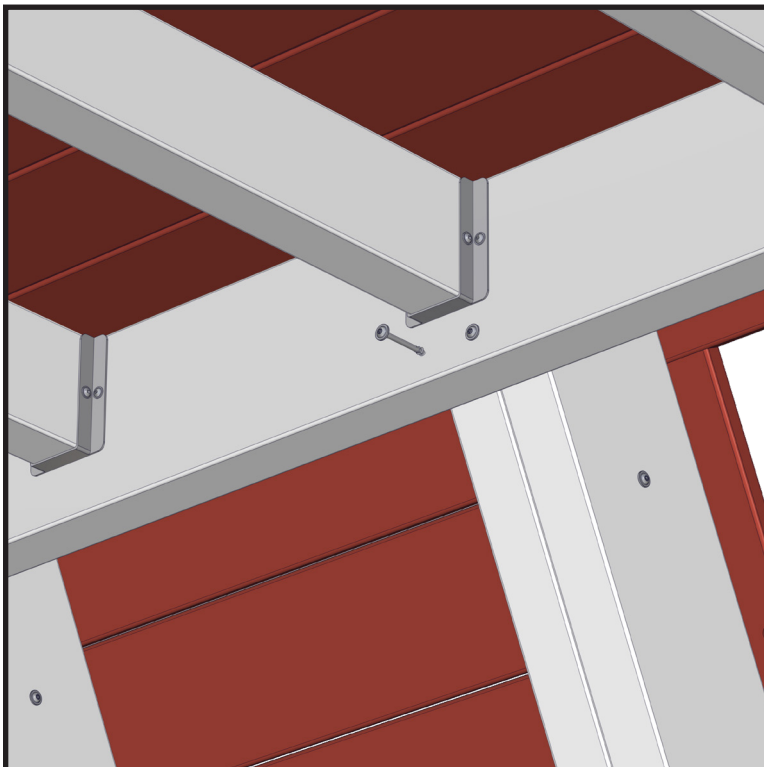




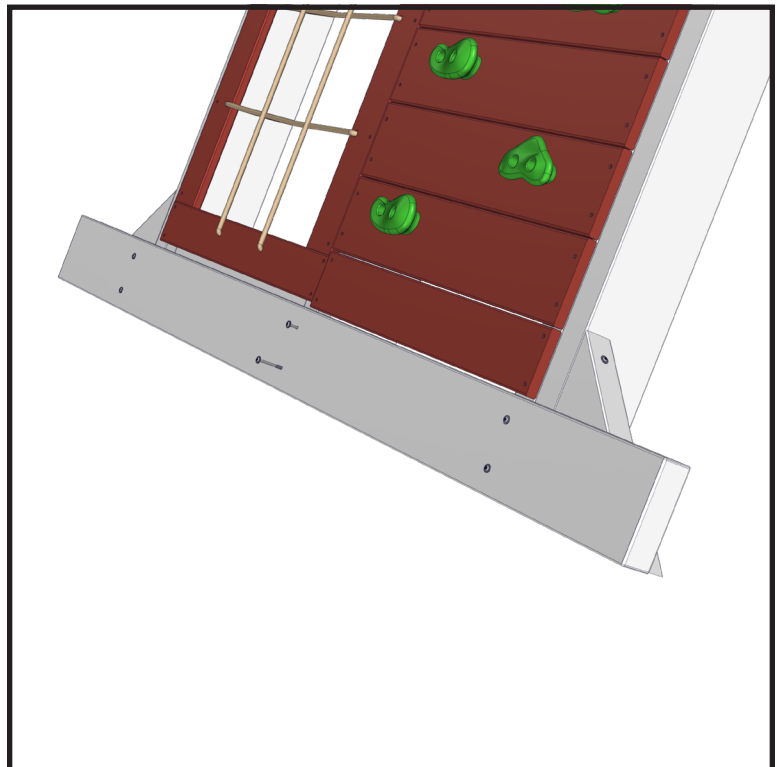
**Step 25.**  
Fasten all the panels to the tower using 3 1/2" lags through the side 2x6's into the tower legs.



**Step 26.**  
Also fasten the two panels together using the same lags through the two center 2x6's.



**Step 27.**  
Fasten the top of the panels to the tower using 3 1/2" lags through the 56" 2x6.



**Step 28.**  
Fasten the bottom of the panels using the 3 1/2" lags through the 79 1/2" 2x6's.

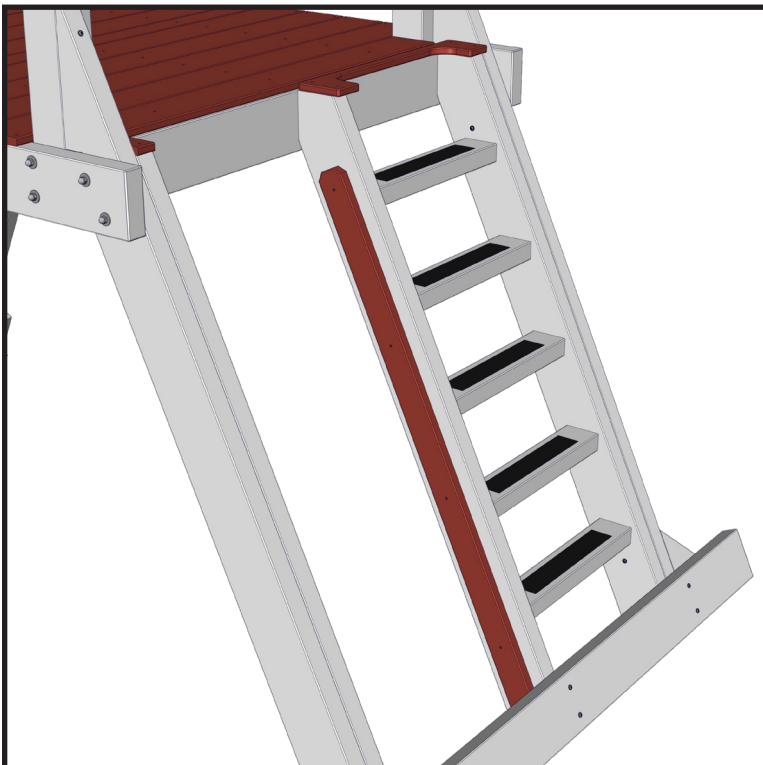




**Step 29.**  
Follow steps 25, 27 and 28 to fasten the ladder panel.



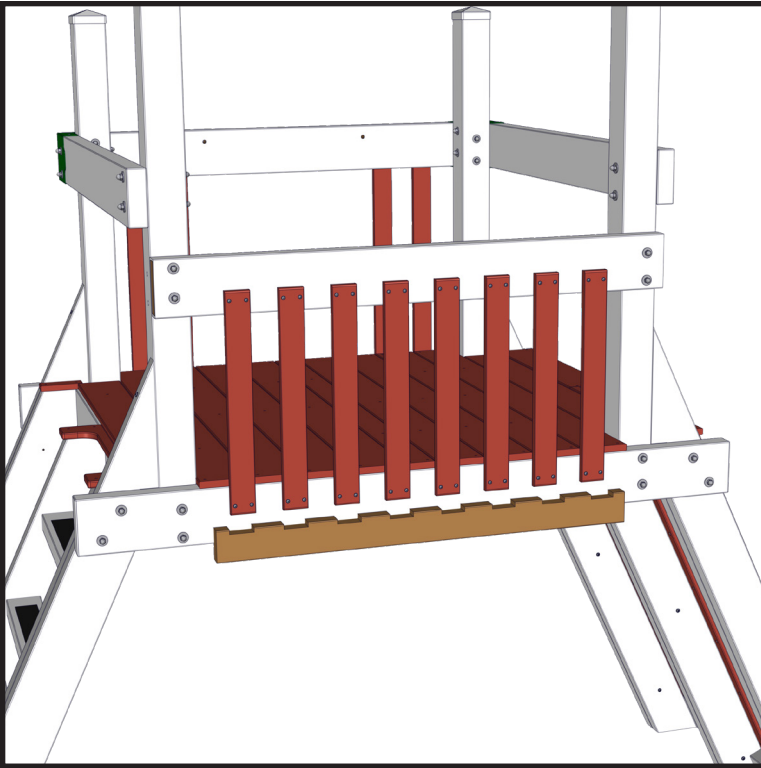
**Step 30.**  
Locate the 66 1/4" 2x6 with the floorboard attached.  
This is to fill the empty spot where the slide will go later.  
Attach it to the tower leg using three 3 1/2" lags.



**Step 31.**  
The ladder comes with a poly trim piece for the side.  
Center it on the 2x6 and fasten it with 1 1/2" vinyl screws.

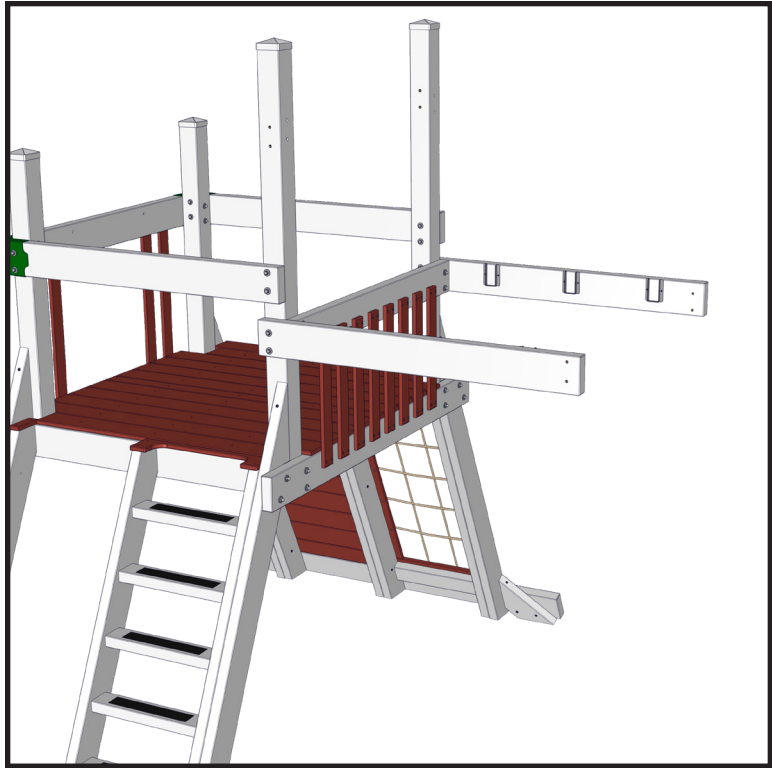


**Step 32.**  
The 5ft platform is complete for now and the next steps are for the 7ft platform.  
Begin the assembly by fastening a 56" 2x6 to the 74" 4x4's using 6 7/8" threaded rods.



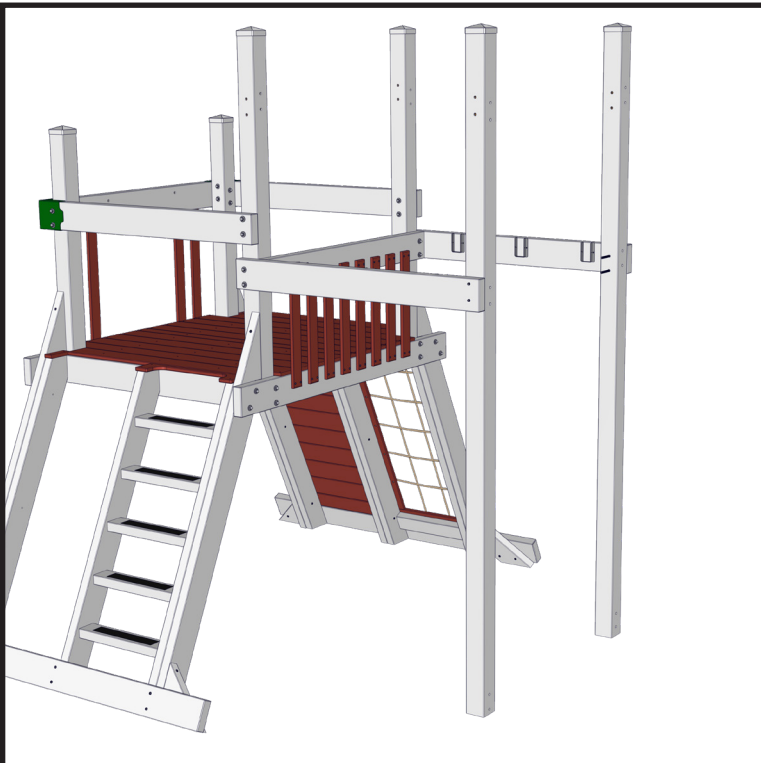
**Step 33.**

Fasten the 23 1/2" poly slats (1Q) to the 56" 2x6 using 1 3/4" washer head screws.  
Use the slat spacer to position them.



**Step 34.**

Locate two 56" 2x6's with joist hangers and attach them to the 74" 4x4's. These have a vinyl cap on one end, this end gets fastened to the 4x4's.  
Use 6 7/8" threaded rods to fasten them, only finger tighten these at this point.



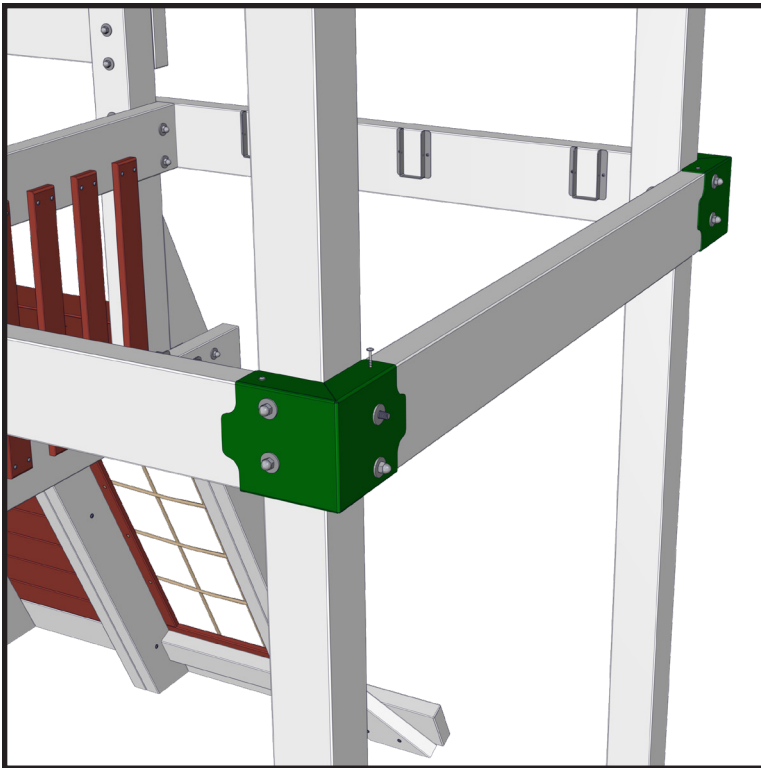
**Step 35.**

Place two 128" 4x4 posts (1K) at the other end of the 2x6's.  
Use 6 7/8" threaded rods to hold them in place for the moment.



**Step 36.**

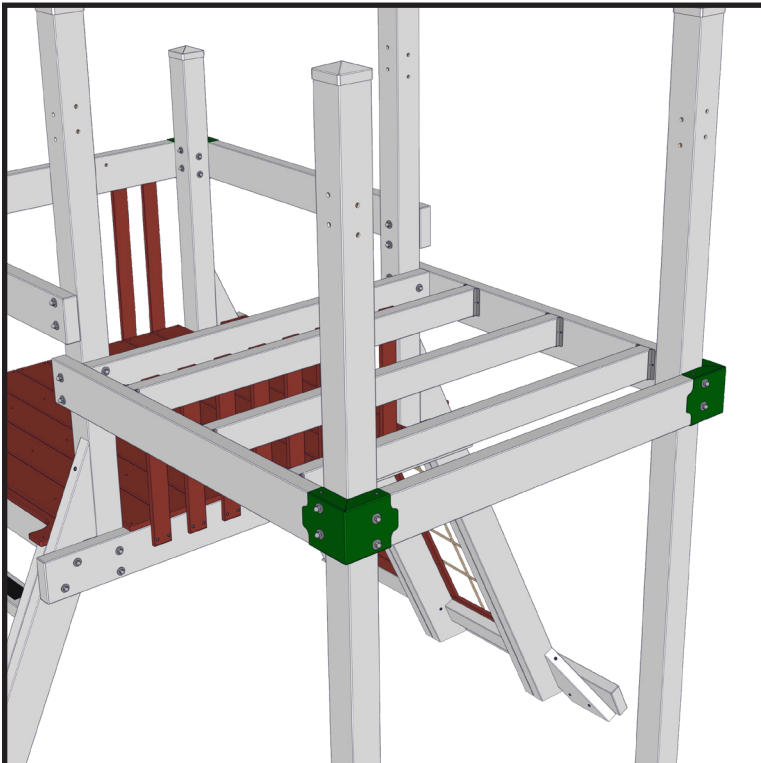
Using the same rods place a 56" 2x6 on the end as shown.



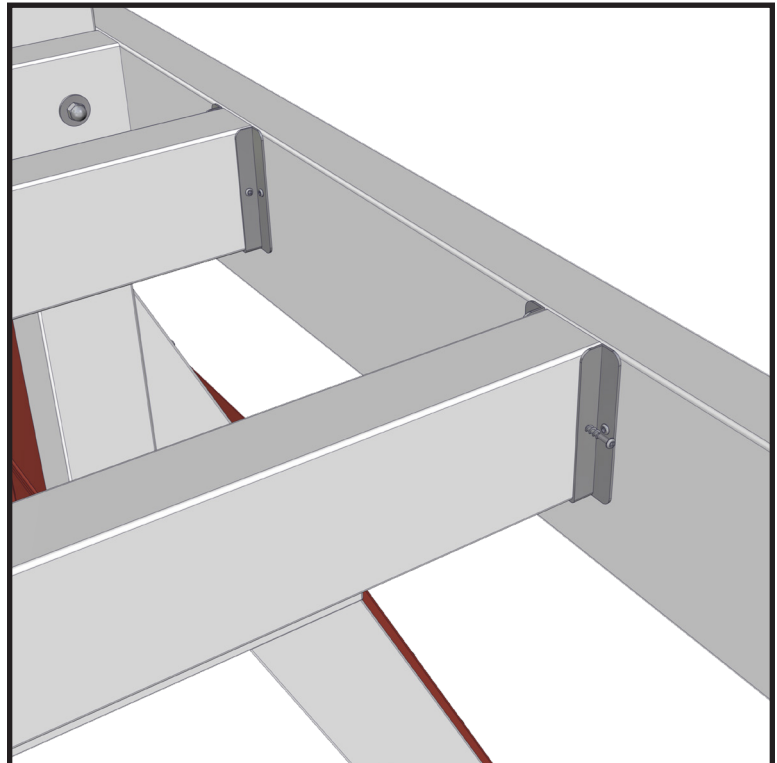
**Step 37.**  
Install the 2x6 corner brackets and fasten the rods using acorn nuts and washers.  
Fasten the top and bottom of the brackets using 1 3/4" washer head screws.



**Step 38.**  
Locate the 56" 2x6 with vinyl caps on both ends and fasten it to the bottom of the 128" 4x4 posts.  
Use 6 7/8" threaded rods to fasten it then tighten the rest of the threaded rods on the playset.

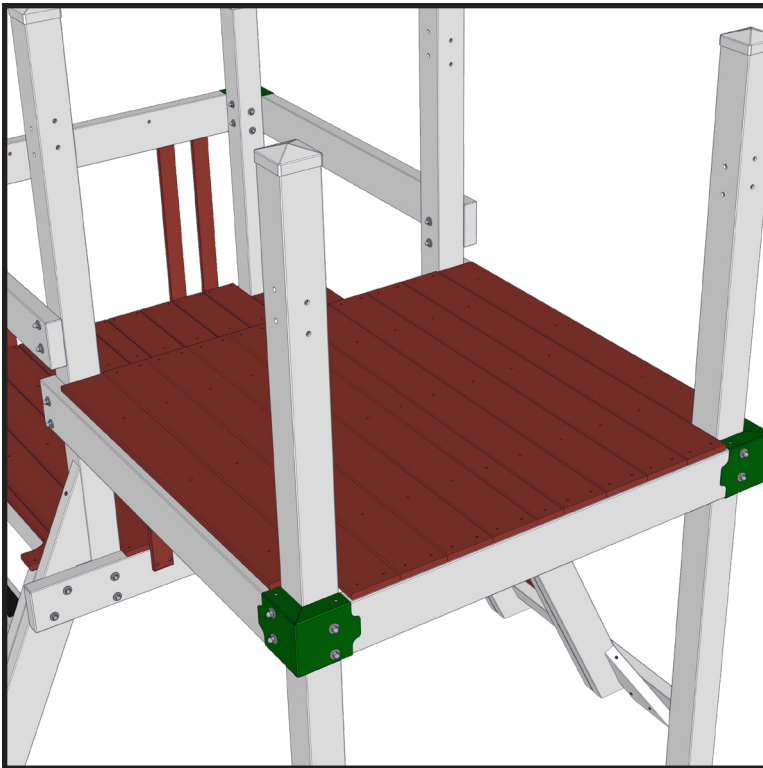


**Step 39.**  
Place three 56" 2x4 floor joists (1N) in the joist hangers.

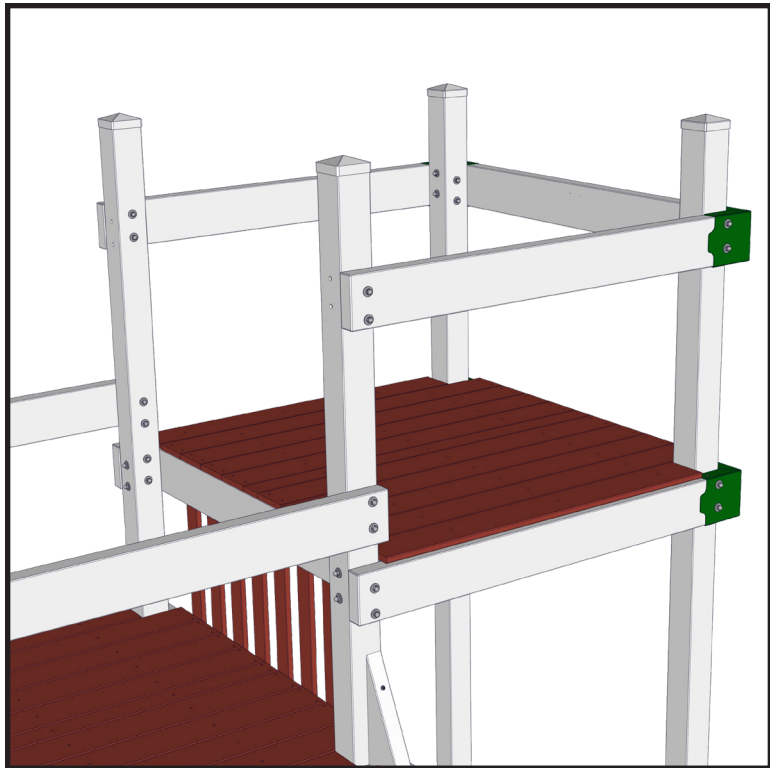


**Step 40.**  
Fasten them using 1 3/4" washer head screws.

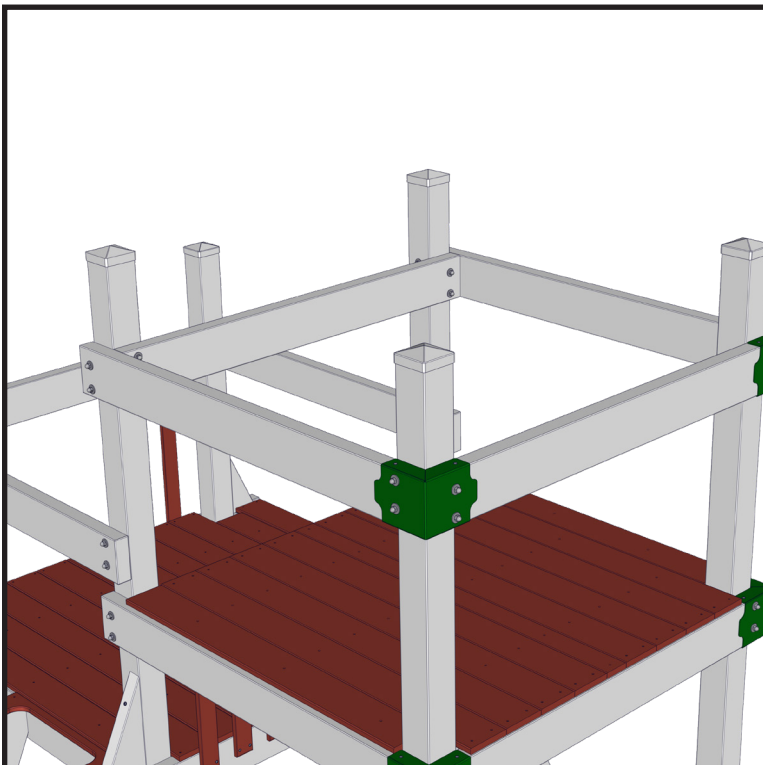


**Step 41.**

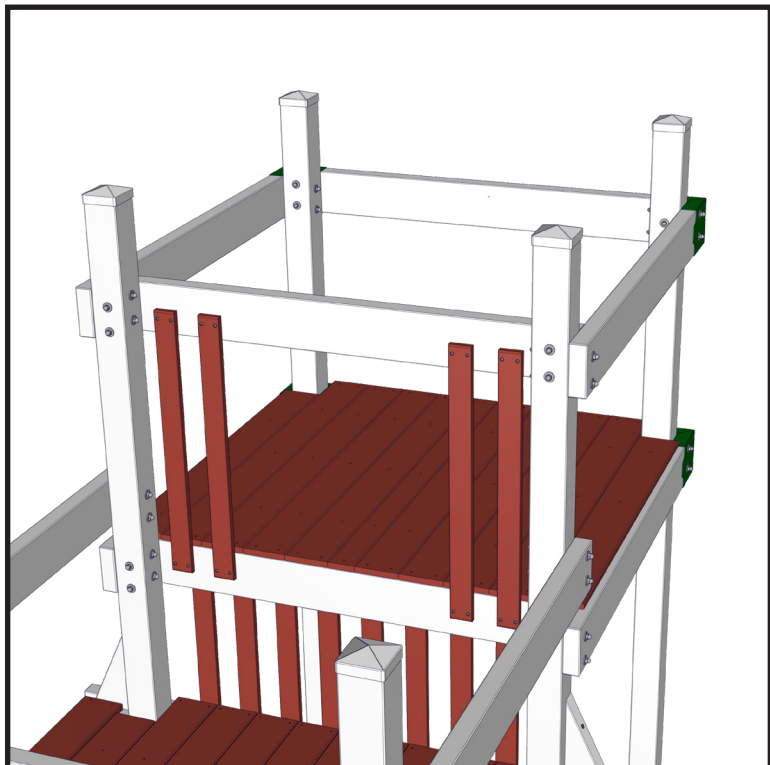
Place the floor boards (10) in place and fasten them using 1 ½" vinyl screws.  
Just like the 5ft deck, these have two short boards for the outside and one narrow board for the center.

**Step 42.**

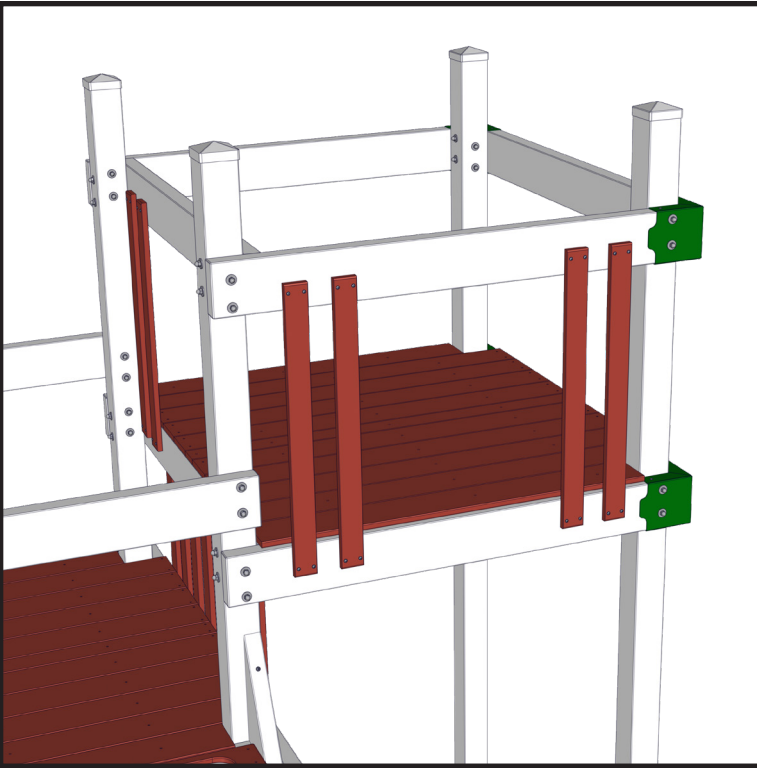
Install three 56" 2x6's on the 4x4 posts for the railing.  
Two of these have a vinyl end cap. Install them with the end caps facing the 5ft platform.  
Fasten the 2x6's with 2x6 corner brackets and 6 ⅞" threaded rods.

**Step 43.**

Install one 56" 2x6 on the inside of the 7ft platform.  
Fasten it with the same hardware as the last step.

**Step 44.**

Fasten four 33 ½" slats to the 2x6 from the last step.  
Use the slat spacer to position them and fasten them with 1 ¾" washer head screws.



**Step 45.**  
Install four 33 1/2" slats on the side of the platform that you want the 14' avalanche slide to be on.  
Fasten with the 1 3/4" washer head screws.



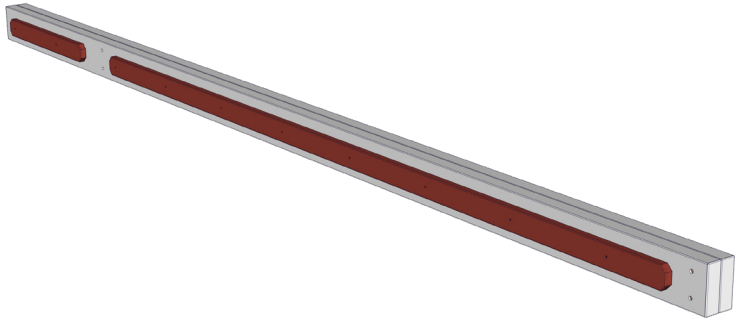
**Step 46.**  
Fill the other sides in with slats using the spacer to position them.



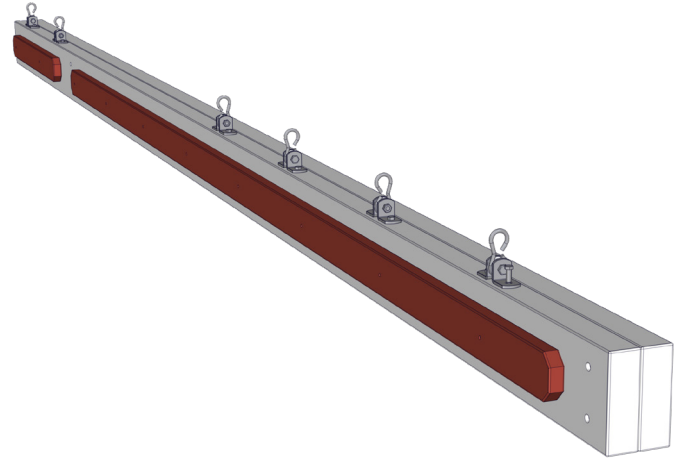
**Step 47.**  
The playset should look similar to the picture at this point.  
Before you continue check that all the nuts and bolts are properly tightened.

## Swing Frame Assembly

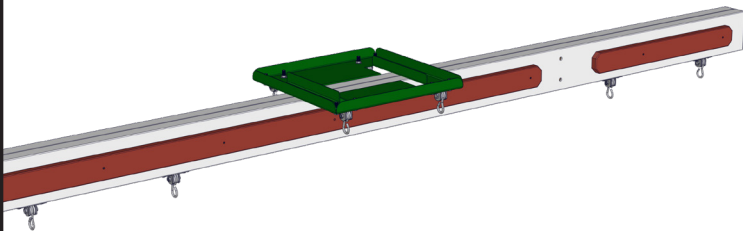




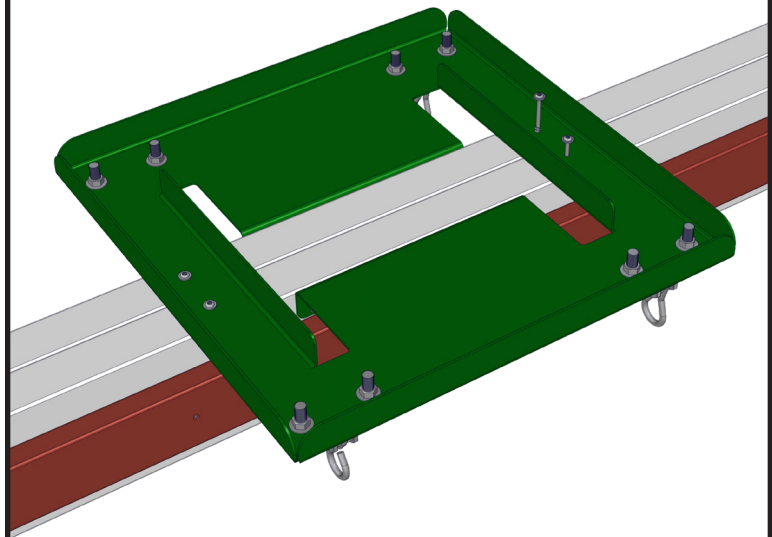
**Step 1.**  
Start the swing frame assembly with the 2x6 swing beam. (3A)



**Step 2.**  
Fasten the swing bearings (3H) to the swing beam using the lags provided with the bearings. These holes should all be pre-drilled.

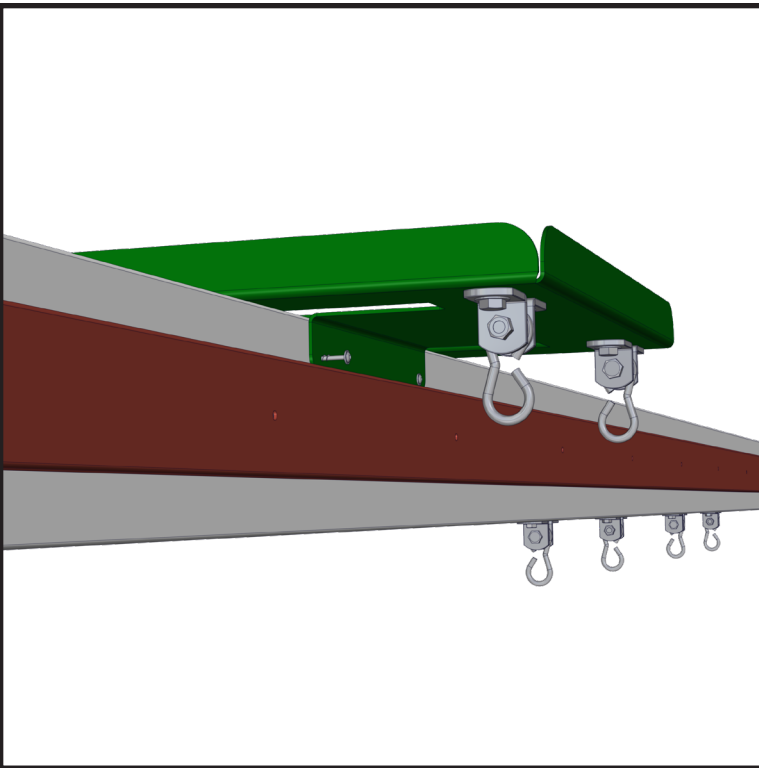


**Step 3.**  
Place the glider bracket (4M) in position.

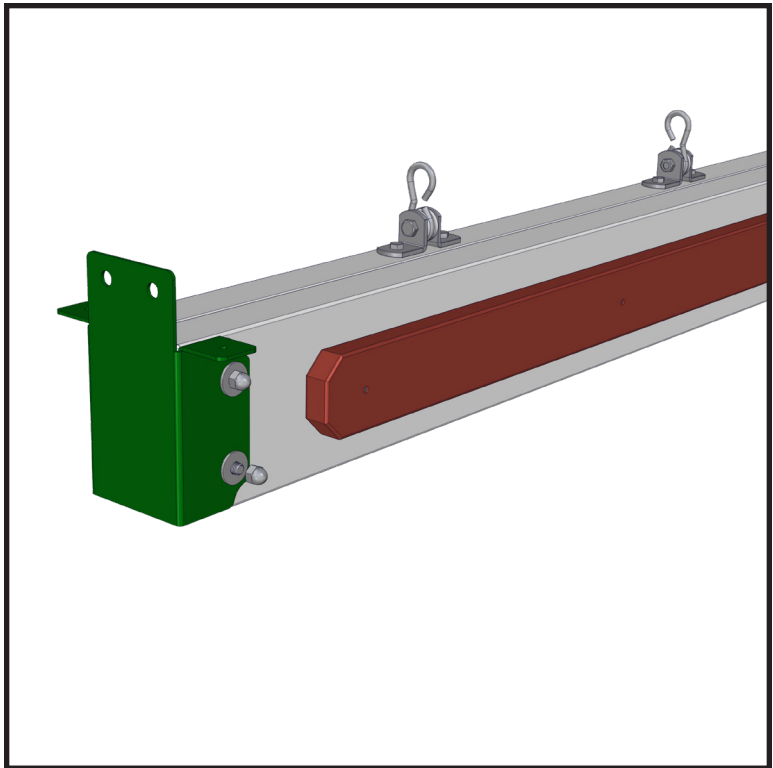


**Step 4.**  
Pre-drill four 1/2" holes then attach the bracket using the included lags.

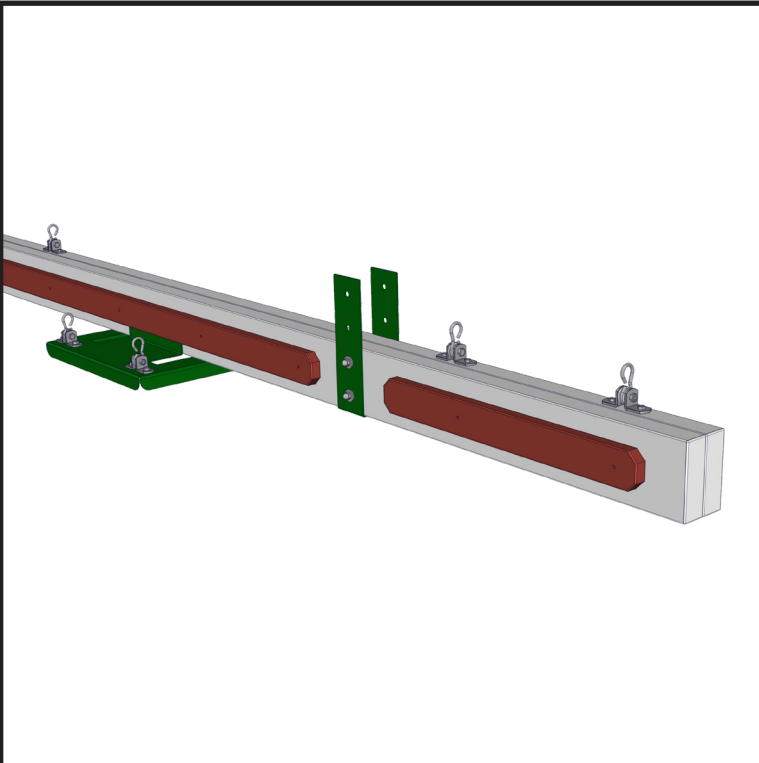




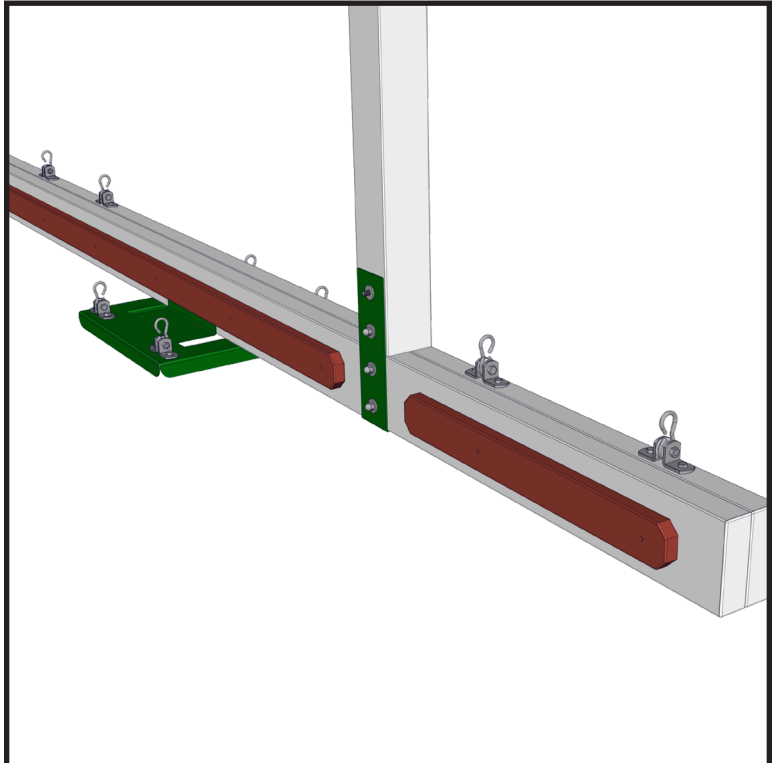
**Step 5.**  
Fasten the side tabs of the bracket using 1 3/4" washer head screws.



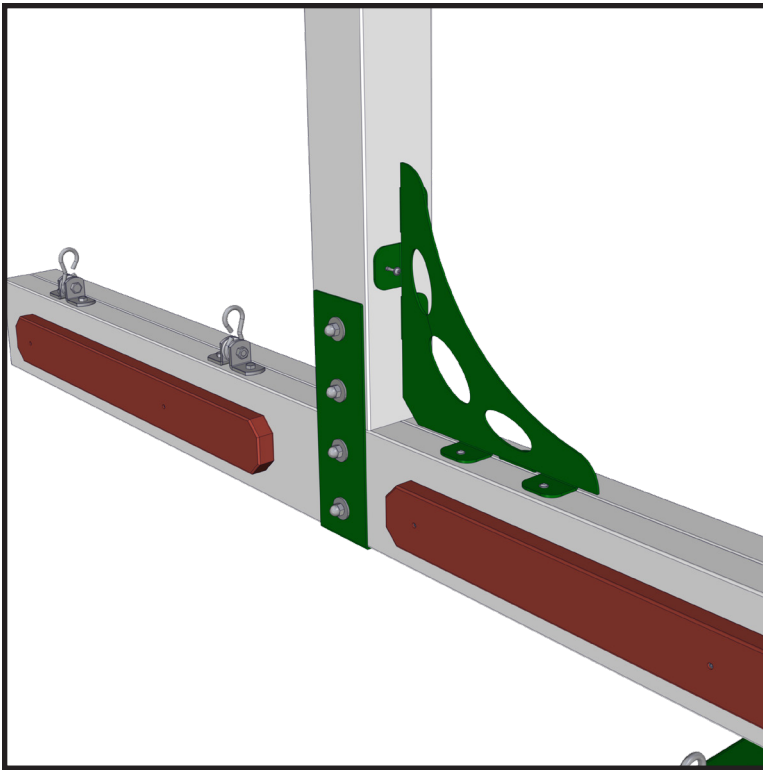
**Step 6.**  
Attach the swing beam bracket (3G) to the end of the beam without the end caps.  
Use two 4 7/8" threaded rods with washers and acorn nuts to fasten the bracket.



**Step 7.**  
Install the beam strap (3E) on the other end of the beam using the same 4 7/8" threaded rods.  
Only finger tighten the nuts at this point.



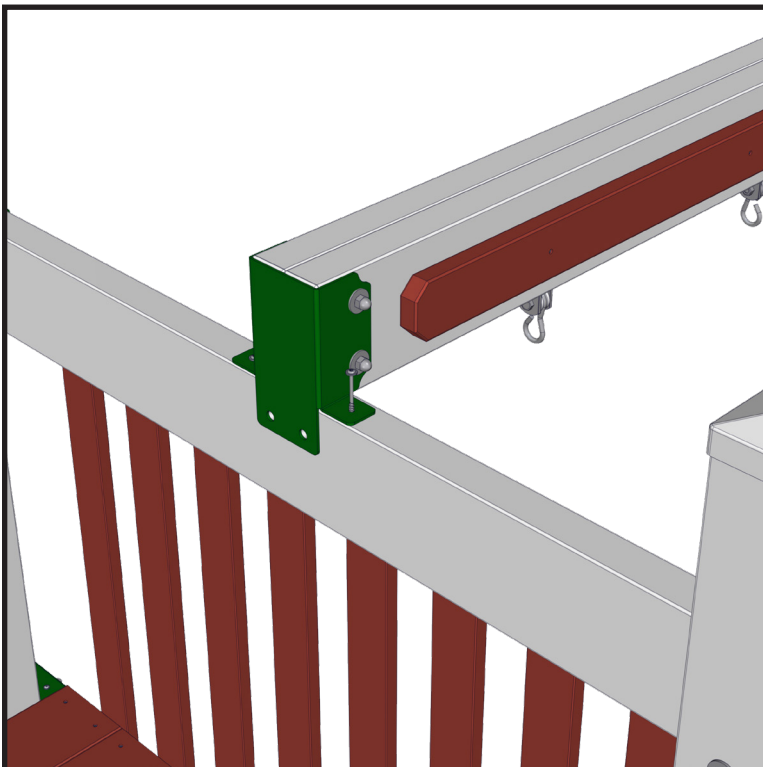
**Step 8.**  
Find the 4x4 end post (3B) and place it in the beam strap.  
Make sure the post is square with the swing beam then tighten all the nuts.



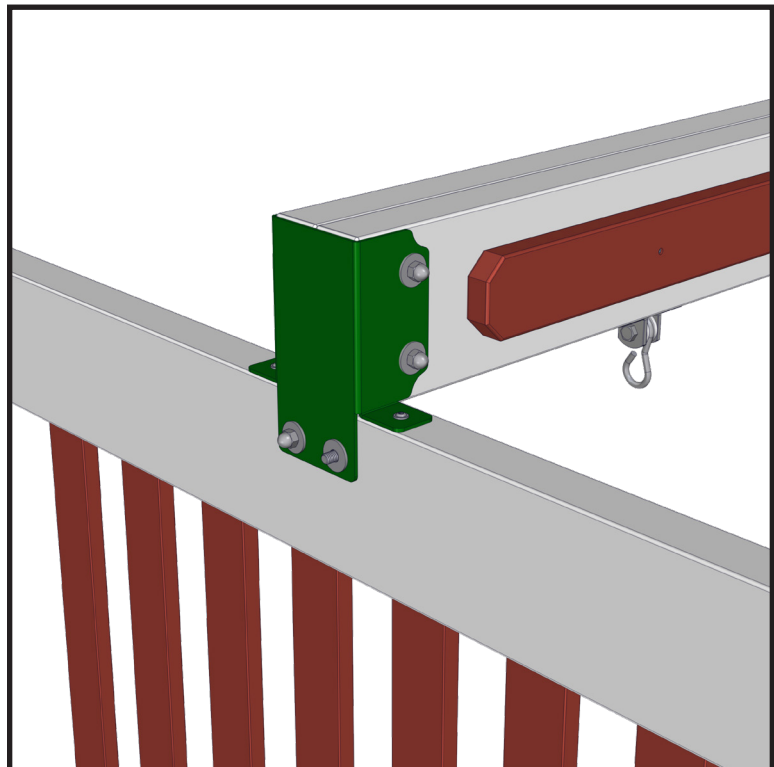
**Step 9.**  
Attach the corner bracket (3F) to the swing beam and end post. Fasten it with 1 3/4" washer head screws.



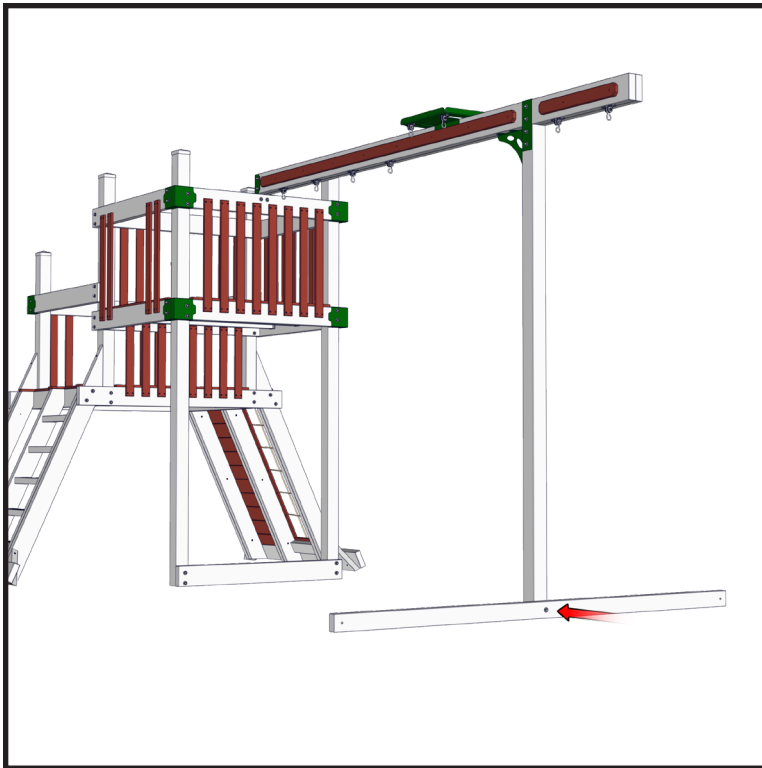
**Step 10.**  
Lift the swing beam up into place on the tower.



**Step 11.**  
Fasten the swing beam bracket to the 2x6 using 3" lags after placing it in position.



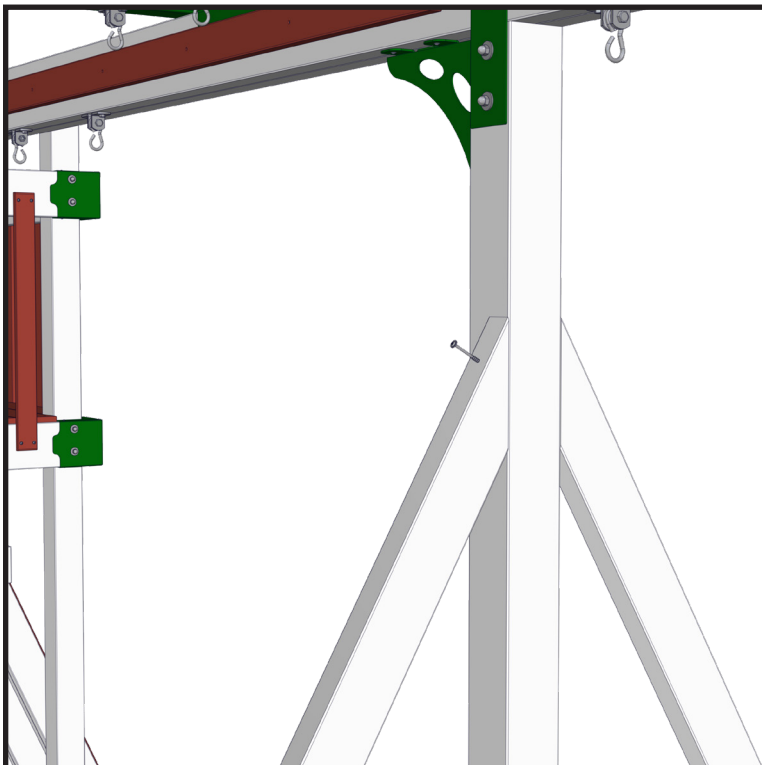
**Step 12.**  
Next pre-drill two 7/16" holes through the 2x6 then fasten the bracket with two 2 3/4" threaded rods.



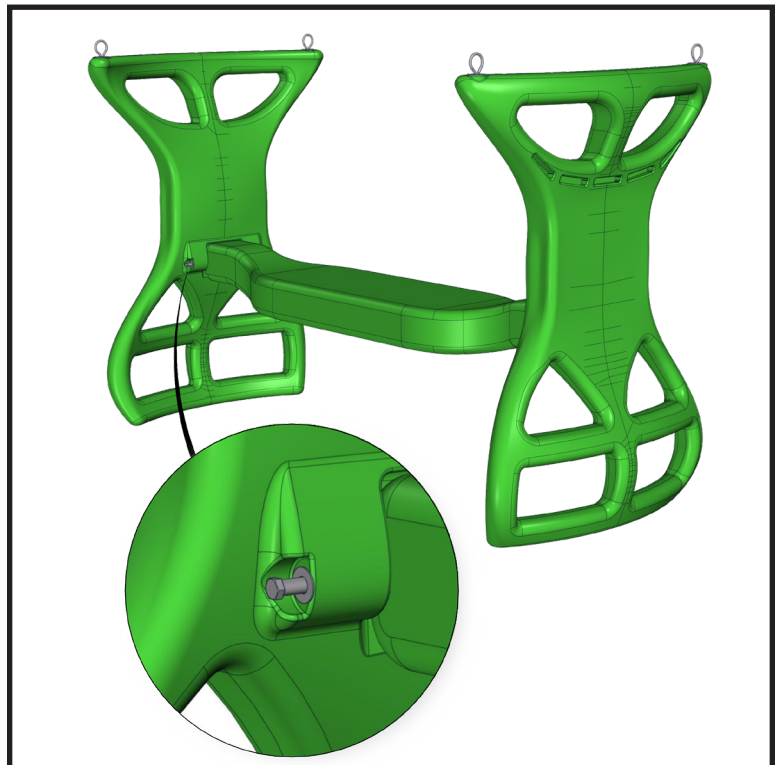
**Step 13.**  
Find the ground runner 2x4 (3C) and fasten it to the end post using a 6 1/2" threaded rod, nut and washer.



**Step 14.**  
Place the 2x4 end braces (3D) in place and fasten the bottom ends to the ground 2x4.  
Use two 4 1/8" threaded rods to fasten them.



**Step 15.**  
Fasten the top ends of the braces to the end post using 4" lags.  
Pre-drill the holes first using a 1/4" drill bit.

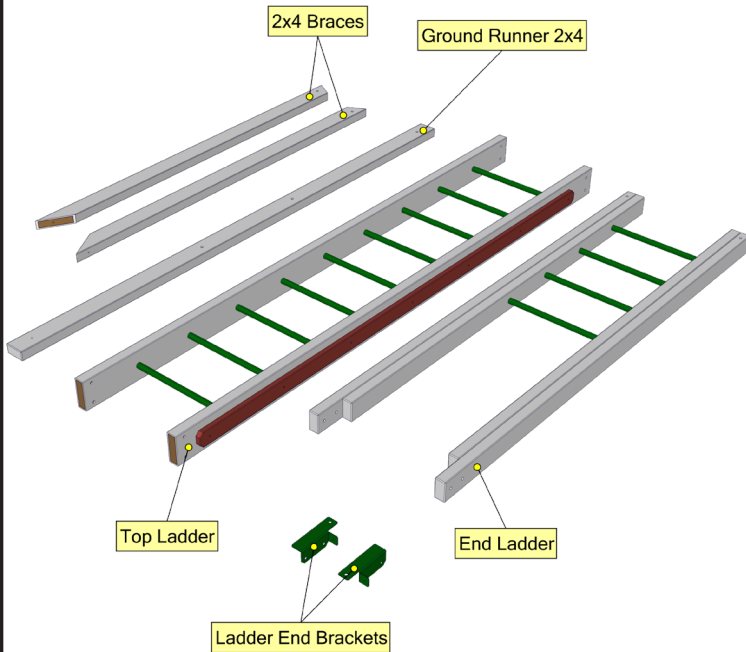


**Step 16.**  
Assemble the glider pieces using the included hardware.

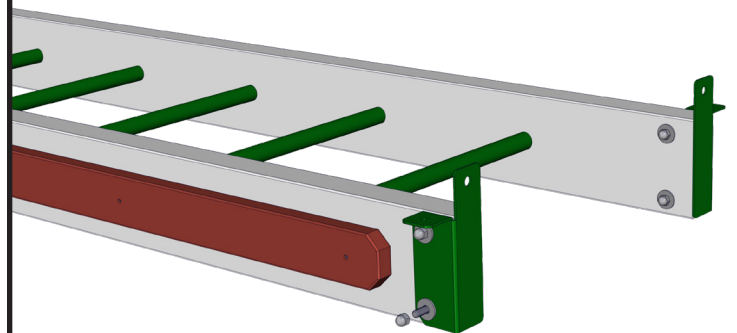
## Climbing Set Assembly



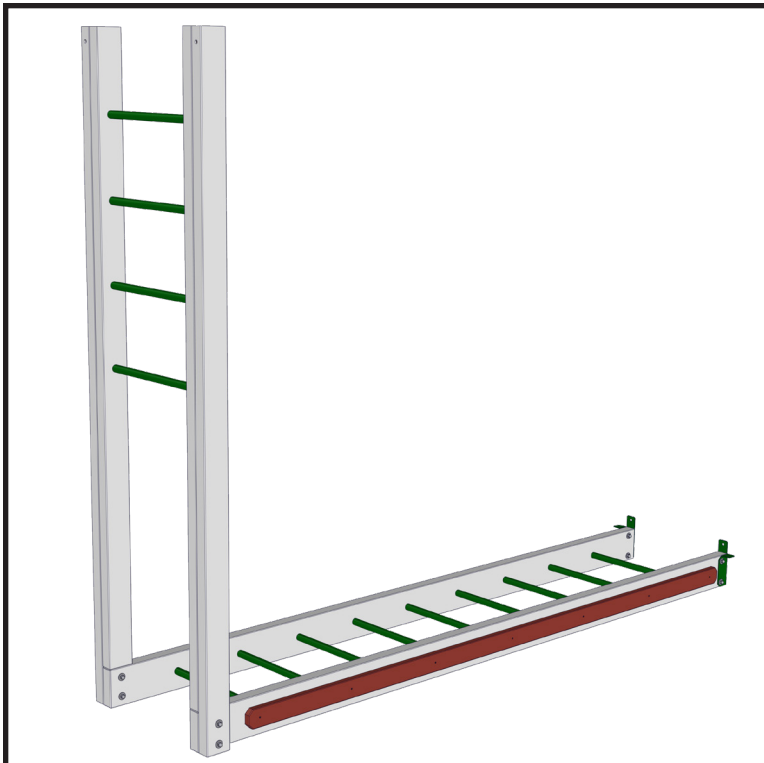
**Step 17.**  
Install the swings to finish the swing frame assembly.



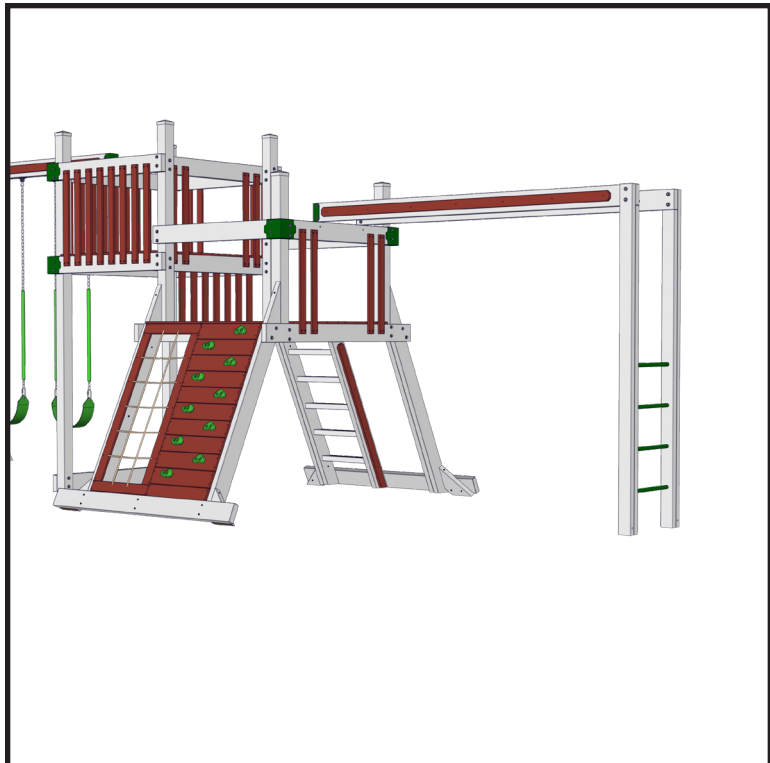
**Step 1.**  
Locate these parts to begin the climbing set assembly.



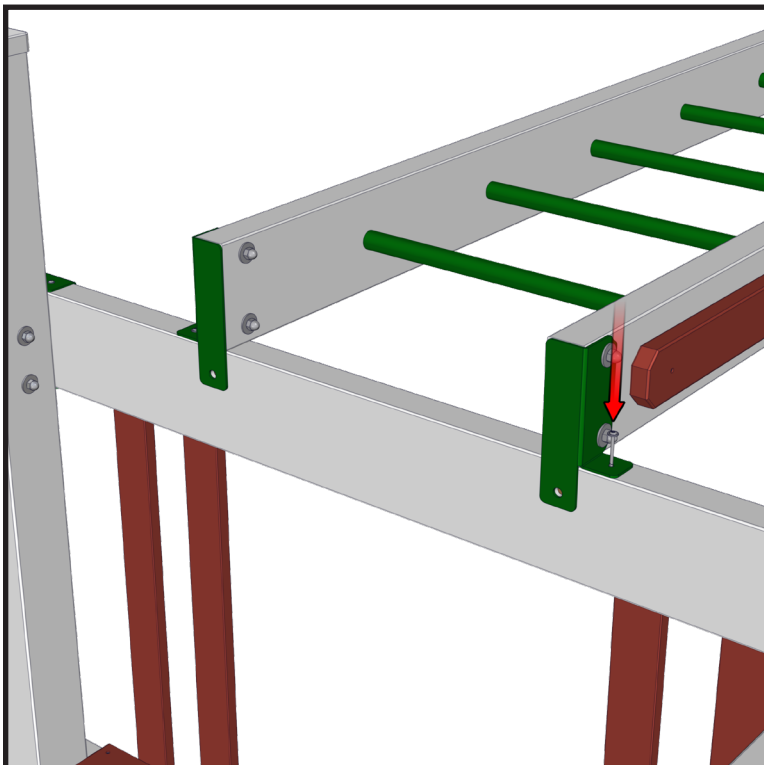
**Step 2.**  
Install the ladder end brackets (5E) on the end of the top ladder. (5A)  
Fasten them with 2 5/8" threaded rod, washers and acorn nuts.



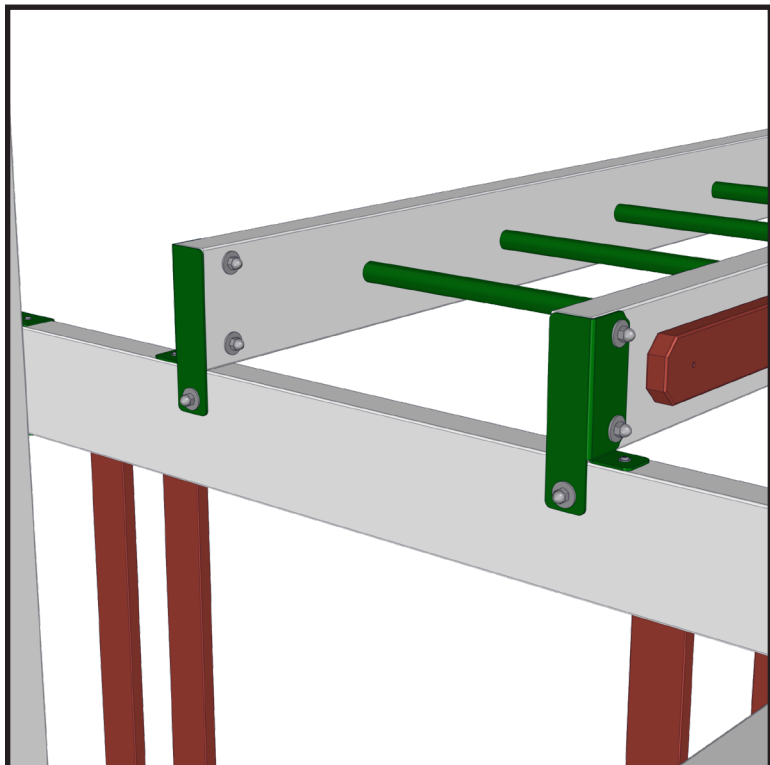
**Step 3.**  
Place the end ladder (5B) in position as shown and fasten it with 4  $\frac{1}{8}$ " threaded rods.



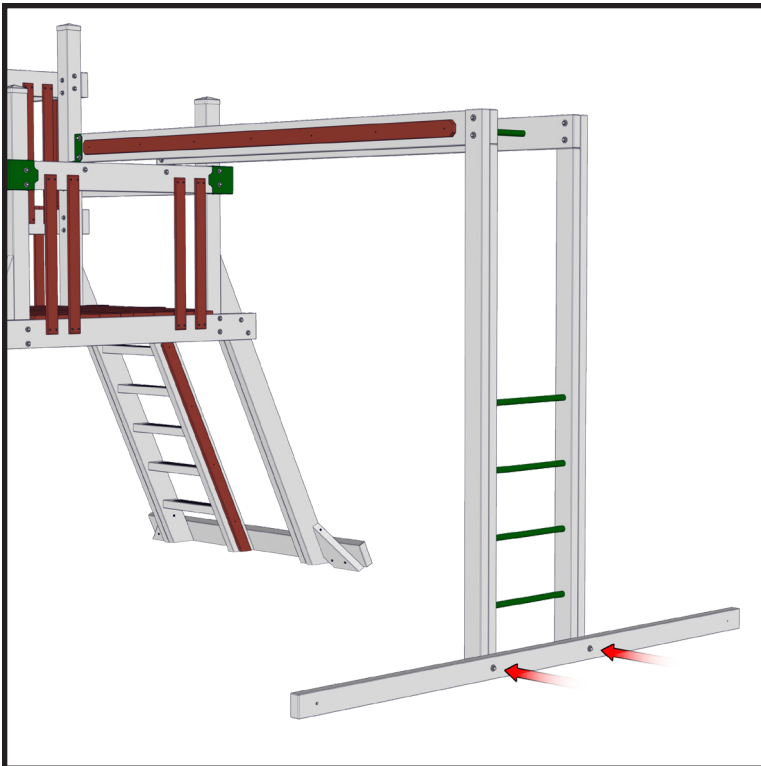
**Step 4.**  
Flip the climbing set over and place it in position on the 5ft platform.



**Step 5.**  
Fasten the side tabs on the end brackets using 3" lags.



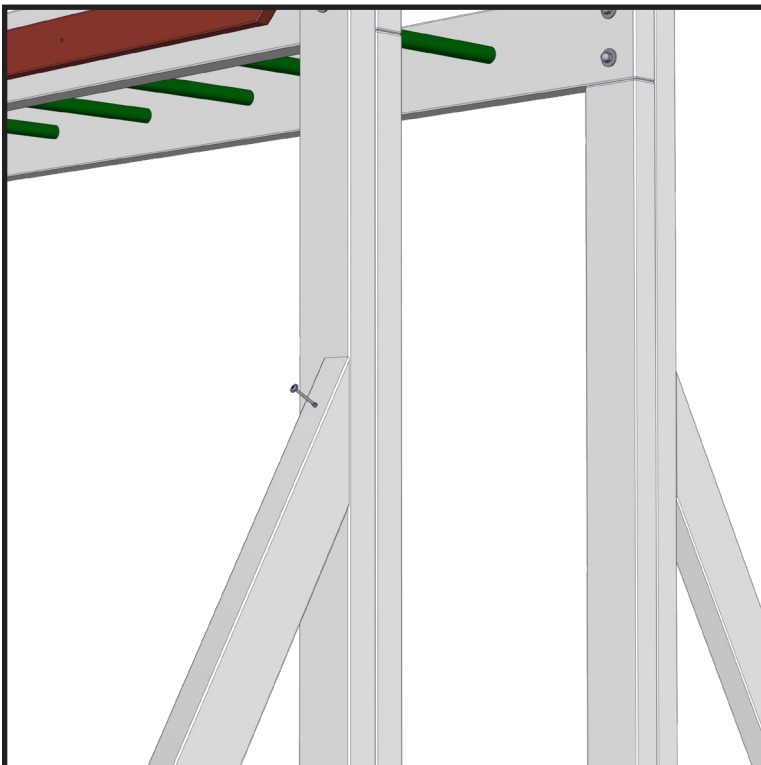
**Step 6.**  
Next pre-drill two  $\frac{7}{16}$ " holes through the 2x6 railing then fasten the brackets using two 2  $\frac{5}{8}$ " threaded rods.



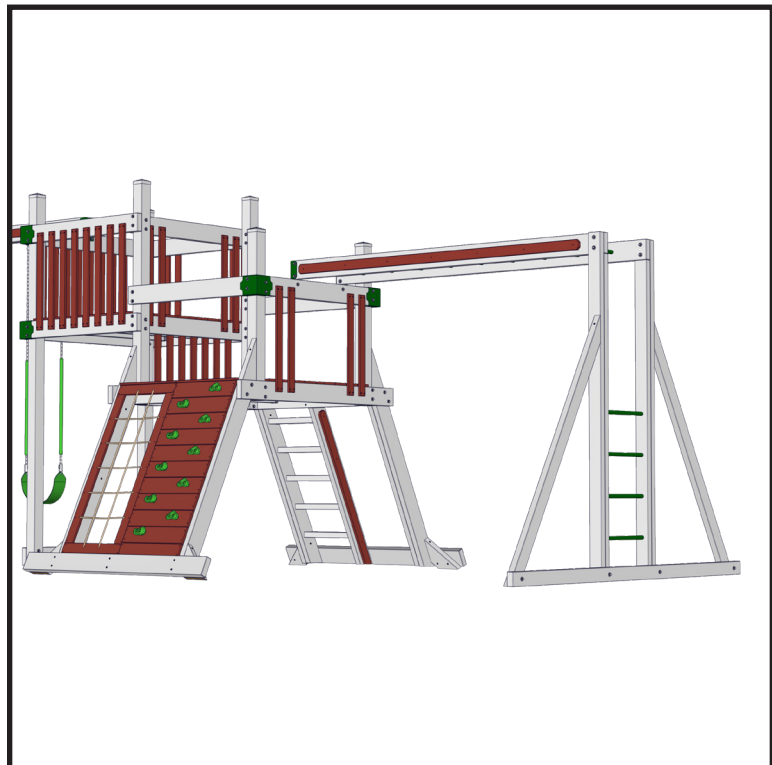
**Step 7.**  
Place the ground runner 2x4 (5C) in place and fasten it with two 6 1/8" threaded rods.



**Step 8.**  
Locate the 2x4 side braces (5D) and install them as shown. Fasten the bottom ends to the ground runner 2x4 using 4 1/8" threaded rods.



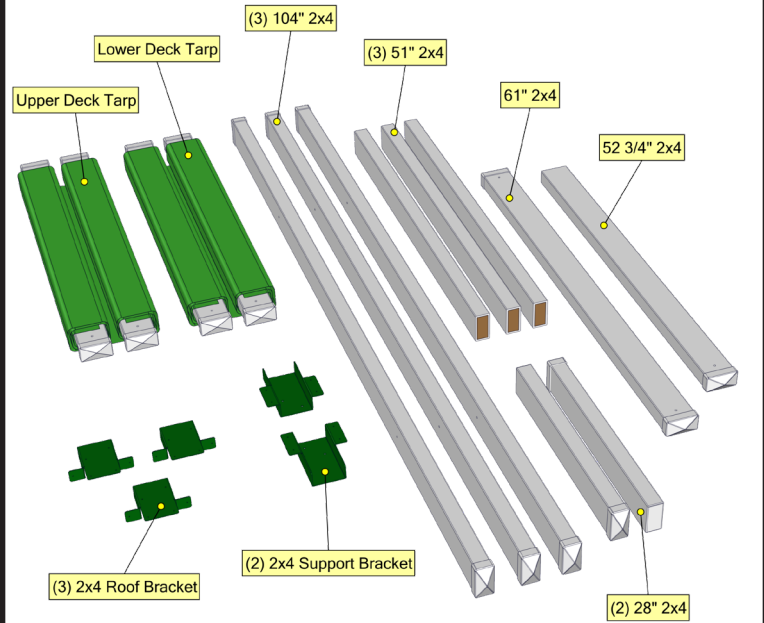
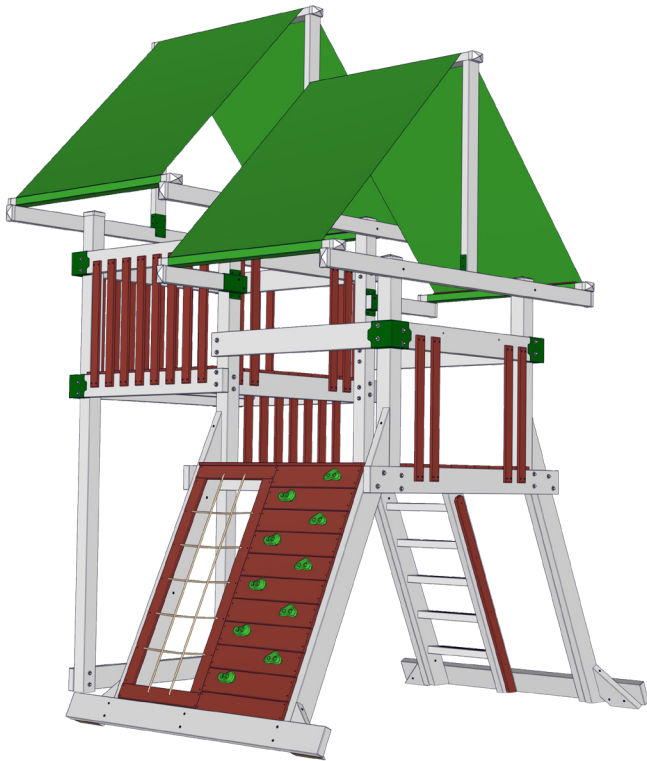
**Step 9.**  
Fasten the top of the braces using 4" lags. These holes may have to be pre-drilled with a 1/4" bit.



**Completed Climbing Set**

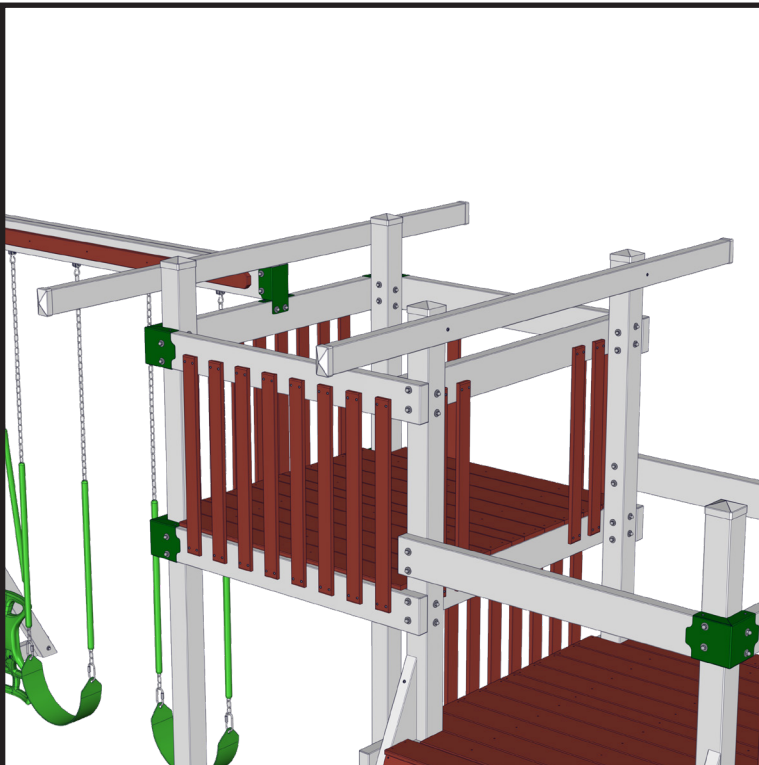


# Tarp Roof Assembly



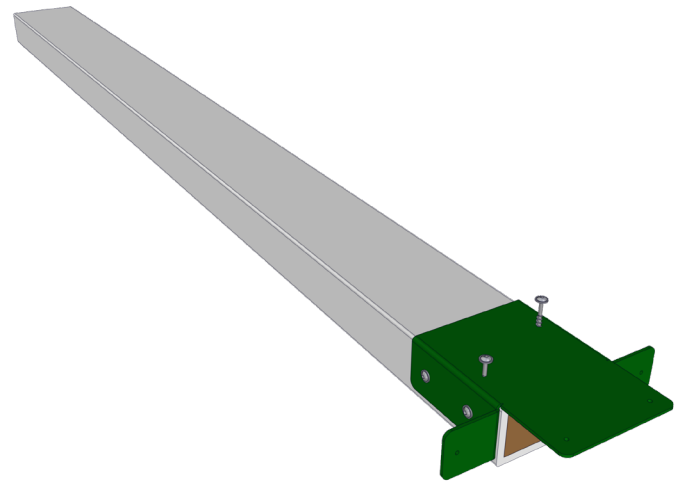
## Step 1.

Start the tarp roof assembly by locating these pieces.



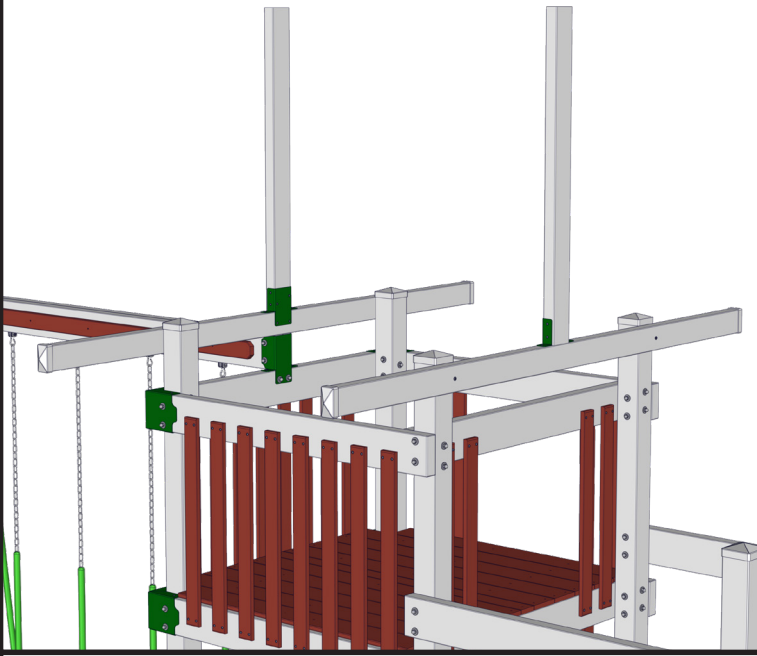
## Step 2.

Install two 104" 2x4's (2A) on the outside of the 4x4 posts. Keep them centered and up against the vinyl post caps then fasten them with 3" lags.

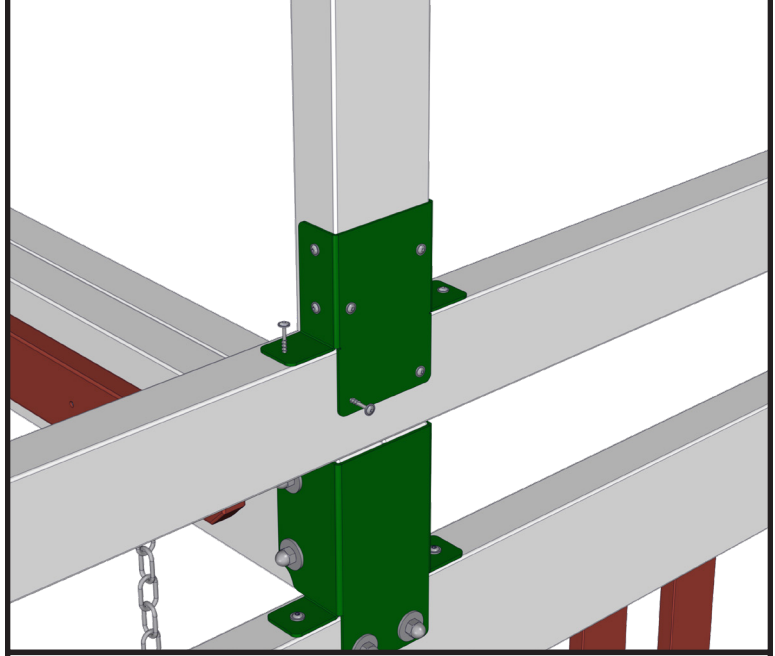


## Step 3.

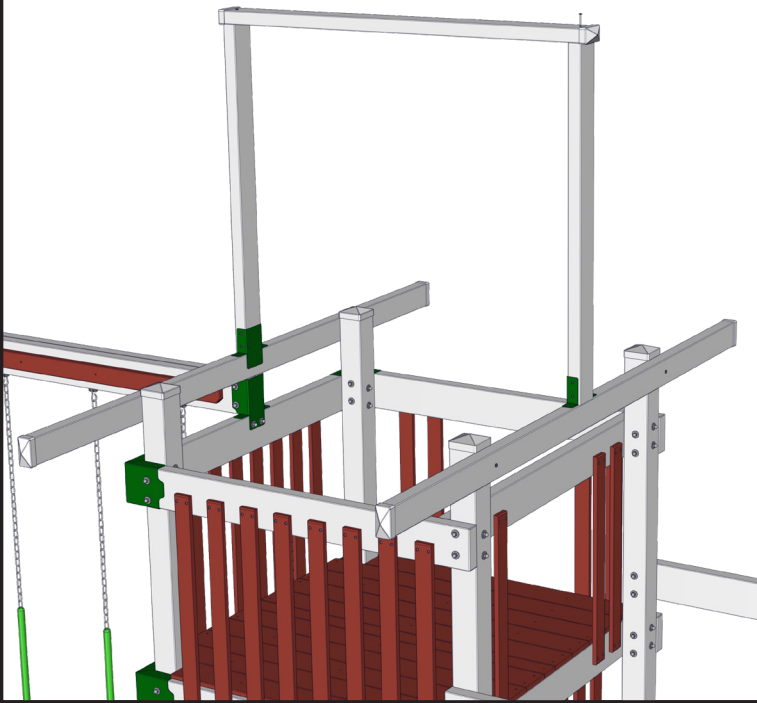
Locate the three 51" 2x4's (2C) and fasten the 2x4 roof brackets (2I) to the end. Keep the end of the 2x4 even with the side tabs then fasten it with 1 3/4" washer head screws.



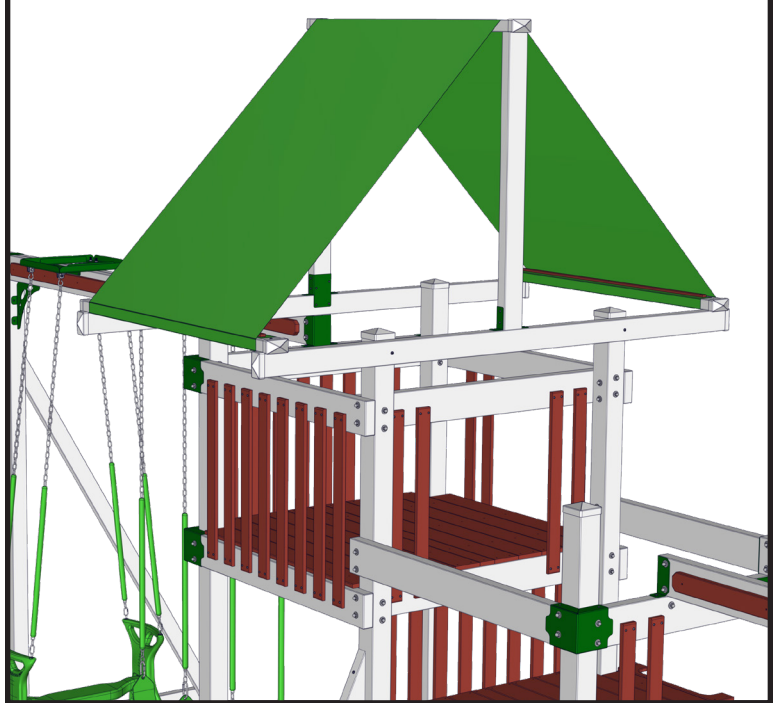
**Step 4.**  
Place the 51" 2x4's in the center of the 104" 2x4's with the brackets facing in.



**Step 5.**  
Fasten the brackets with 1 3/4" washer head screws.



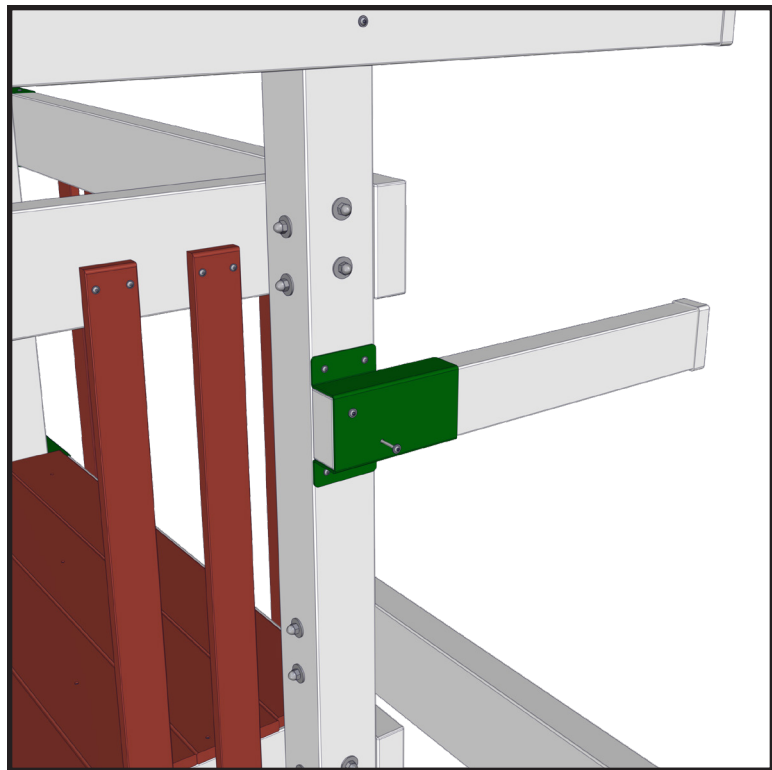
**Step 6.**  
Place a 61" 2x4 (2B) on top of the 51" 2x4's and fasten it with two 3" lags.



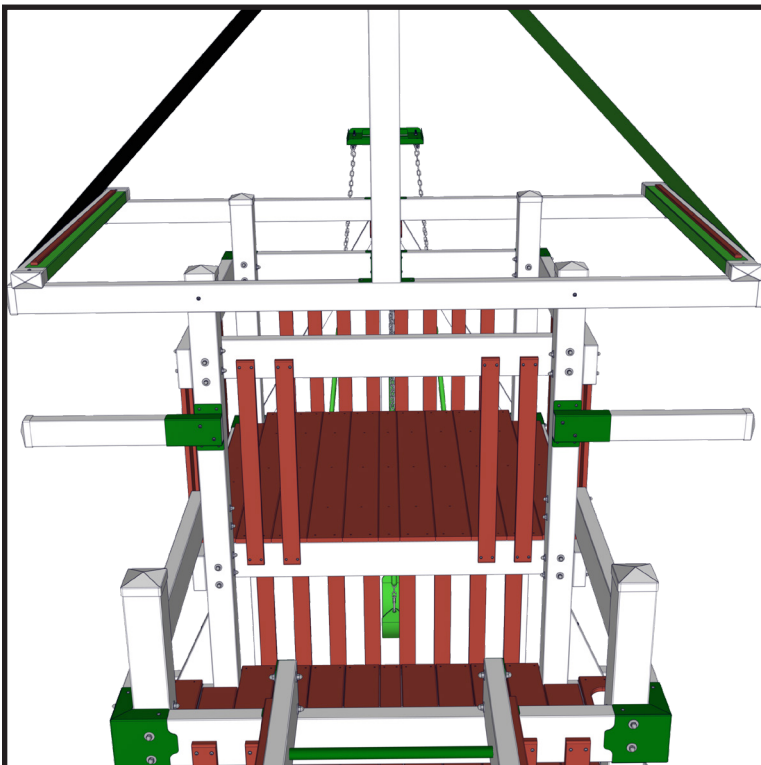
**Step 7.**  
Locate the upper tarp roof (2G) and prepare to install it. To fasten it first place one of the 61" 2x4's on the end of the 104" 2x4's and fasten it with two 3" lags. Then take the other 2x4 up over the top and out to the other end of the 104" 2x4's. Stretch the tarp out then fasten the 2x4 using the same lags.



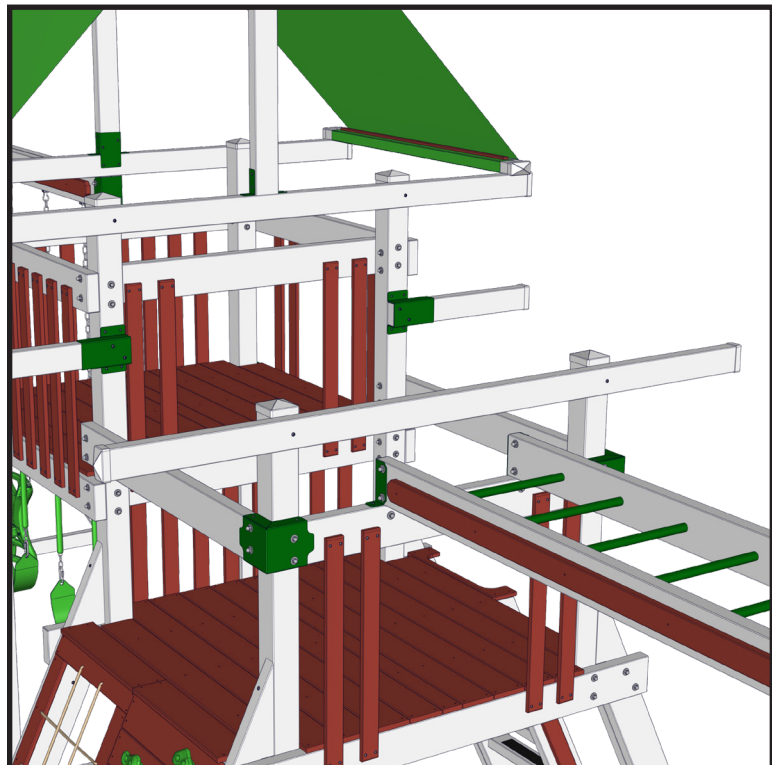
**Step 8.**  
Place the 2x4 support bracket (2J) on the 74" 4x4 post on the lower platform.  
Measure 46" inches up from the floorboards to the inside of the bracket to position it correctly then fasten it with 1 3/4" washer head screws.



**Step 9.**  
Place a 28" 2x4 (2D) in the bracket and fasten it with 1 3/4" washer head screws.

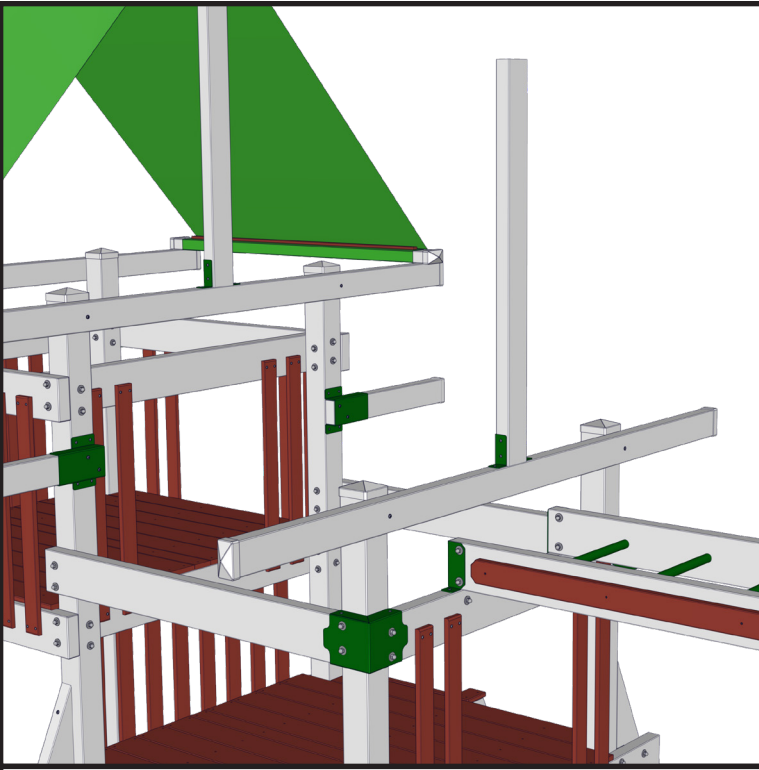


**Step 10.**  
Repeat steps 8-9 for the opposite side.

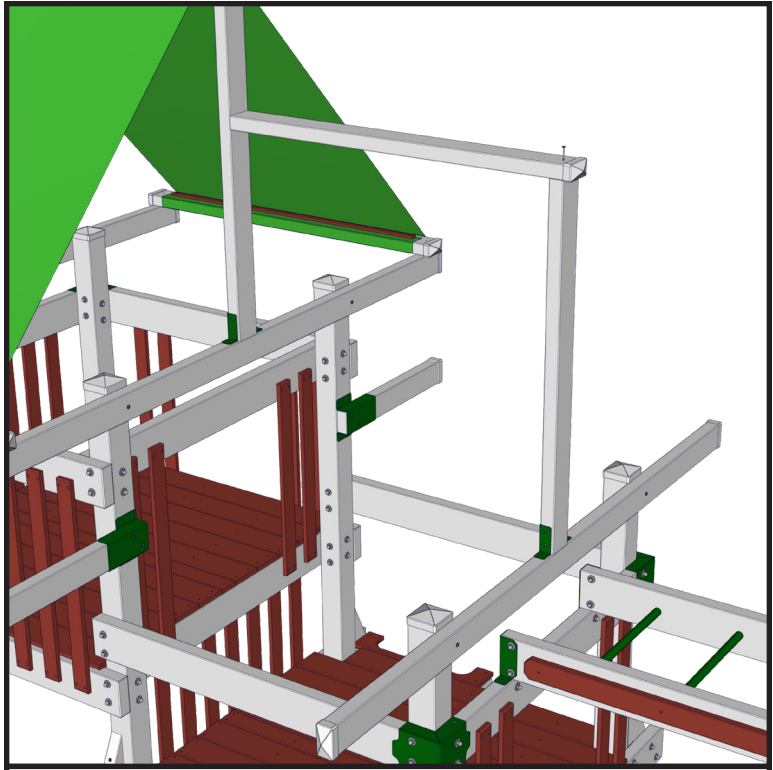


**Step 11.**  
Place a 104" 2x4 on the outside of the 54" 4x4 posts and fasten it with 3" lags.  
Keep the 2x4 centered and up against the vinyl post caps.

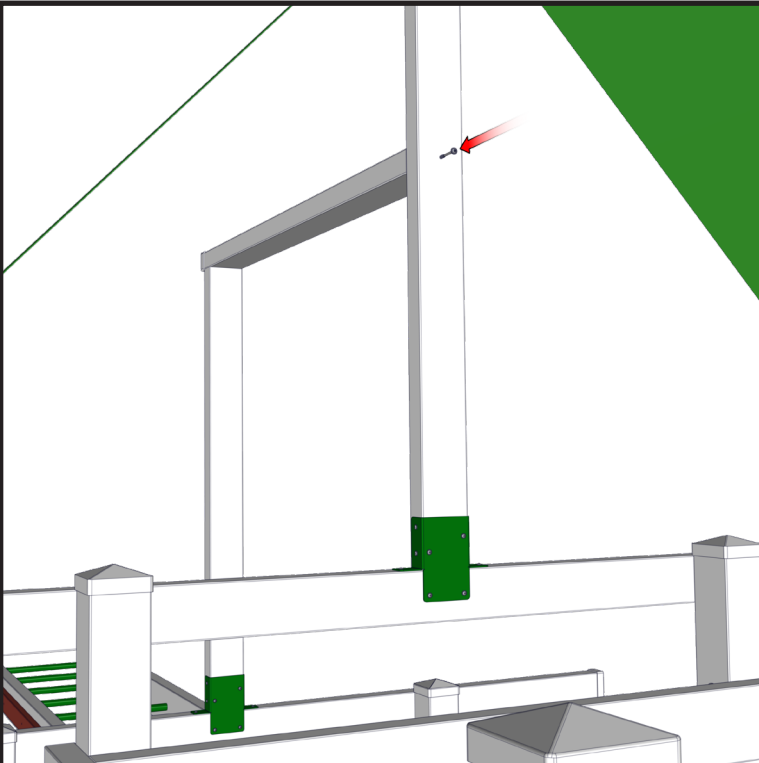




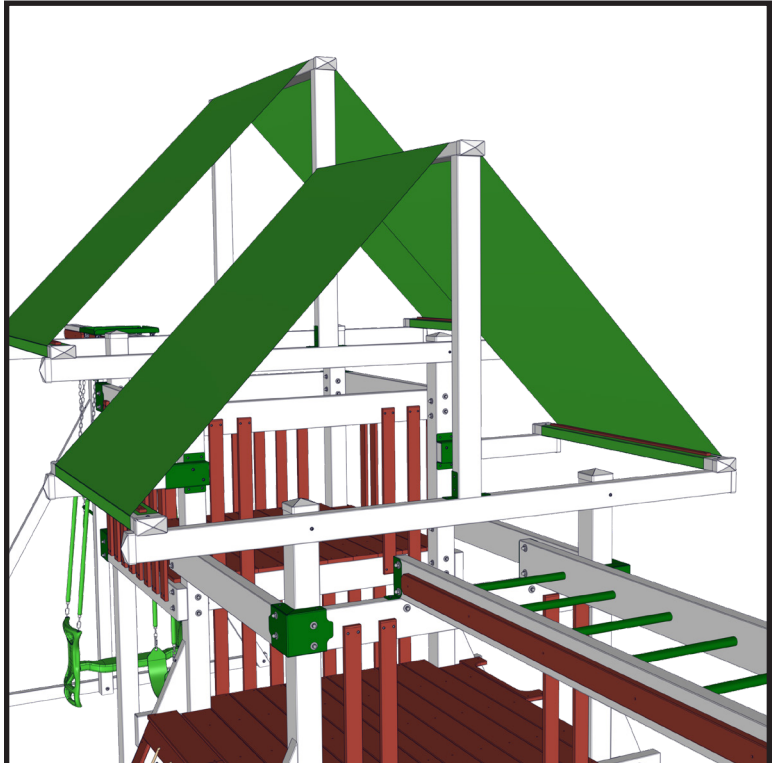
**Step 12.**  
Place the 51" 2x4 with a roof bracket on the 104" 2x4 and fasten it with 1 3/4" washer head screws.



**Step 13.**  
Place the 52 3/4" 2x4 (2F) on top of the 51" 2x4 and fasten it with a single 3" lag on the end.



**Step 14.**  
Level the 52 3/4" 2x4 then pre-drill a 1/4" hole through the 51" 2x4 and fasten it with a 3" lag.



**Step 15.**  
Locate the lower tarp roof and install it the same as the upper roof as shown in step 7. This roof will have 55 1/4" 2x4's instead of 61".

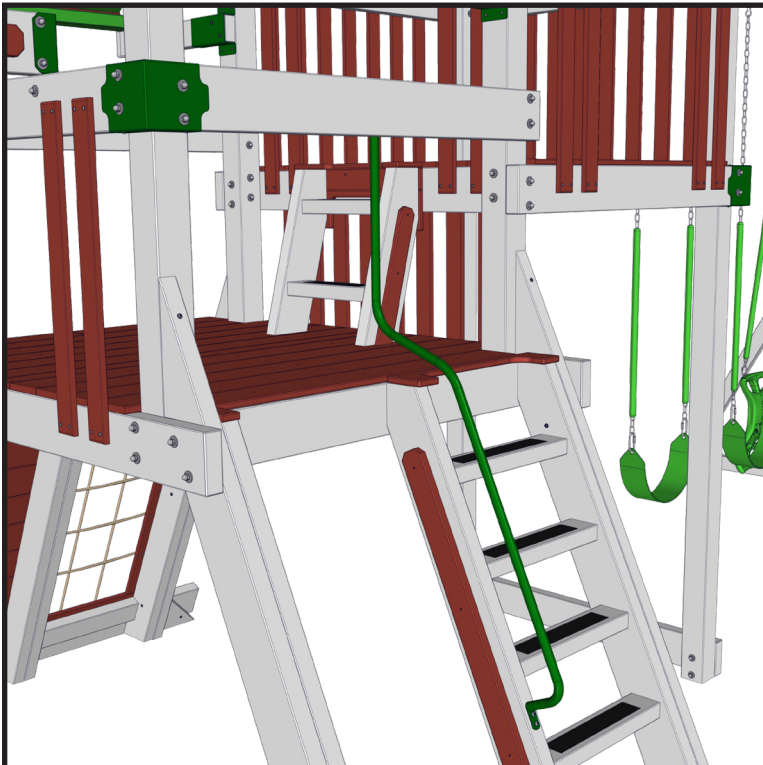
## Accessories



### 2ft Ladder (4B)

Place the ladder in position on the 5ft platform and fasten it into the 2x6 using 1 ½" vinyl screws.

You can also fasten it up through the floorboards using the same screws for added stability.



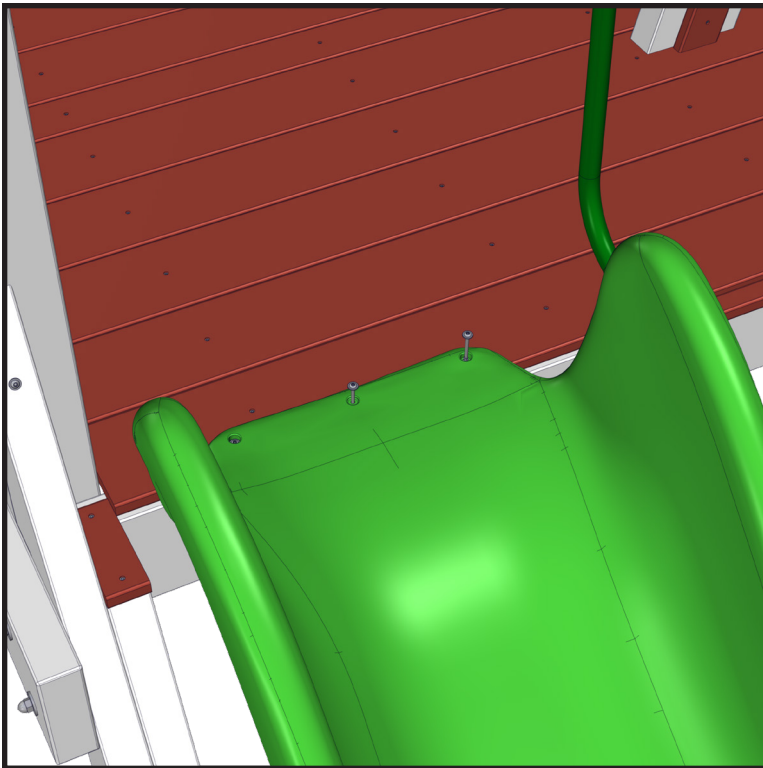
### Ladder Handrail (4C)

Place the ladder handrail in position on the ladder then fasten it with four 1 ½" Lags.

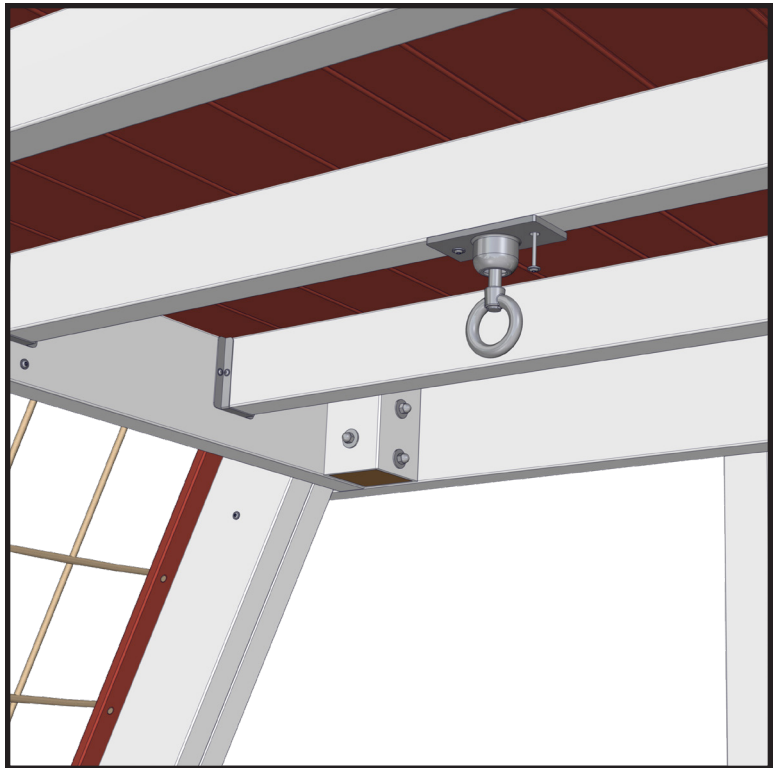


### 10ft Avalanche Slide & 14ft Avalanche Slide (4F) (4G)

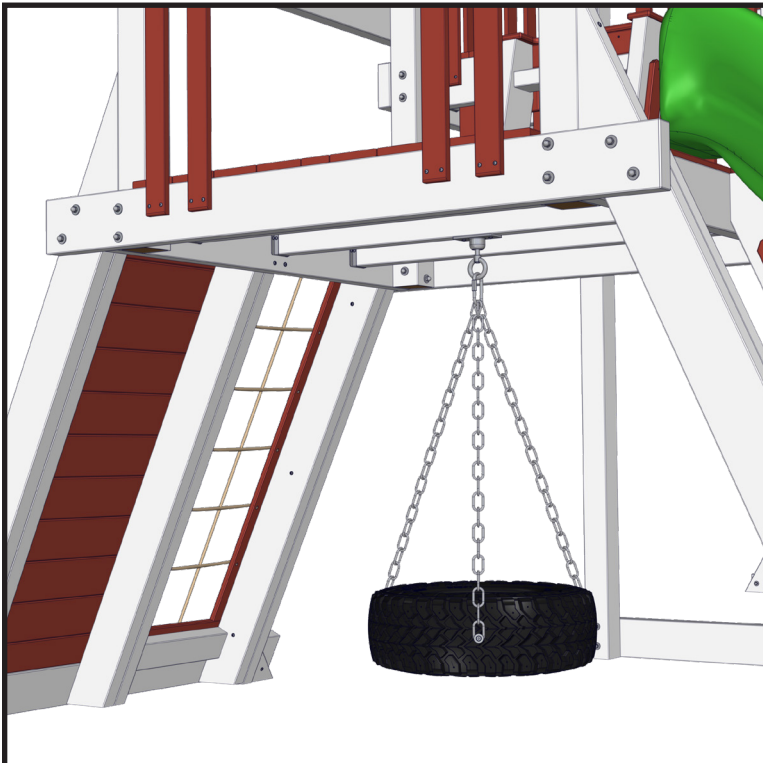
Place the two slides in the empty spots on the platforms.



**10ft Avalanche Slide & 14ft Avalanche Slide (4F) (4G)**  
Fasten the slides using 1 ½" lags.  
Make sure the lags go into the 2x6 below and not just through the floor boards.



**Tire Swing (4K)**  
Place the tire swing mounting bracket on the center 2x4 floor joist on the 5ft platform.  
Fasten it with two 3" lags.



**Tire Swing (4K)**  
Fasten the tire swing to the bracket using the included chains.



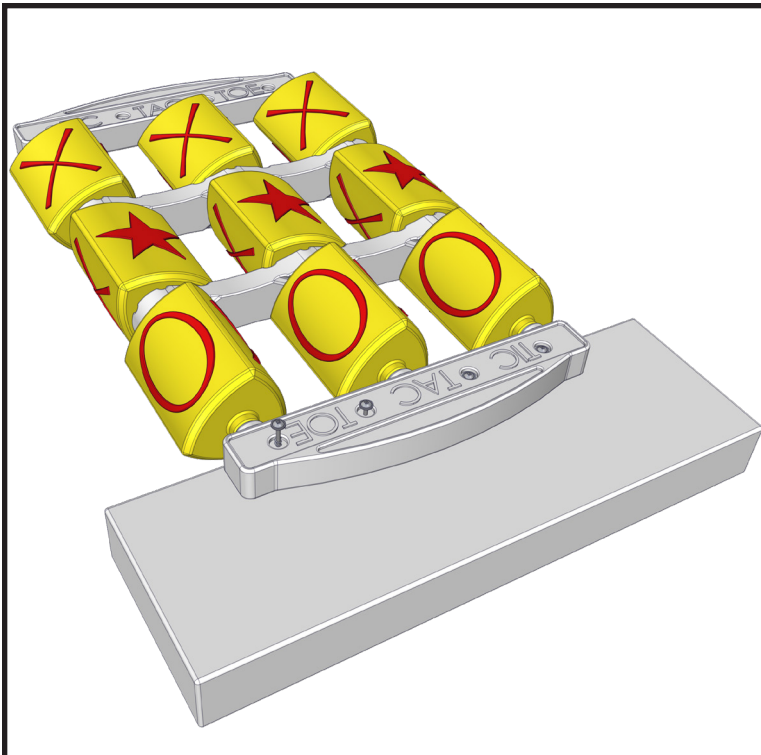
**Hammock Swing (4L)**  
Place the hammock swing mounting bracket on the center 2x4 floor joist on the 7ft platform.  
Fasten it with 3" lags.





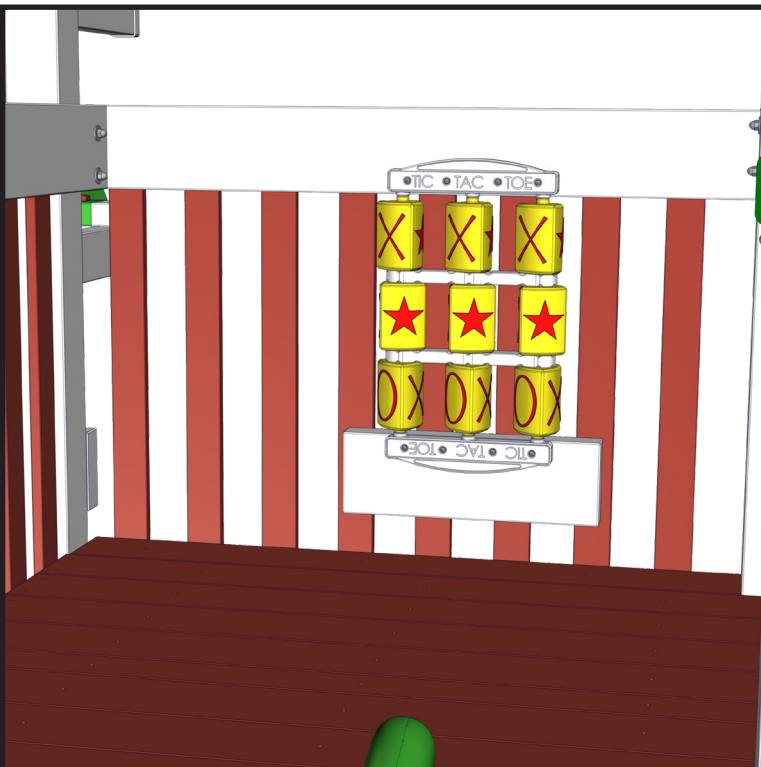
#### Hammock Swing (4L)

Attach the hammock swing using the included chains.



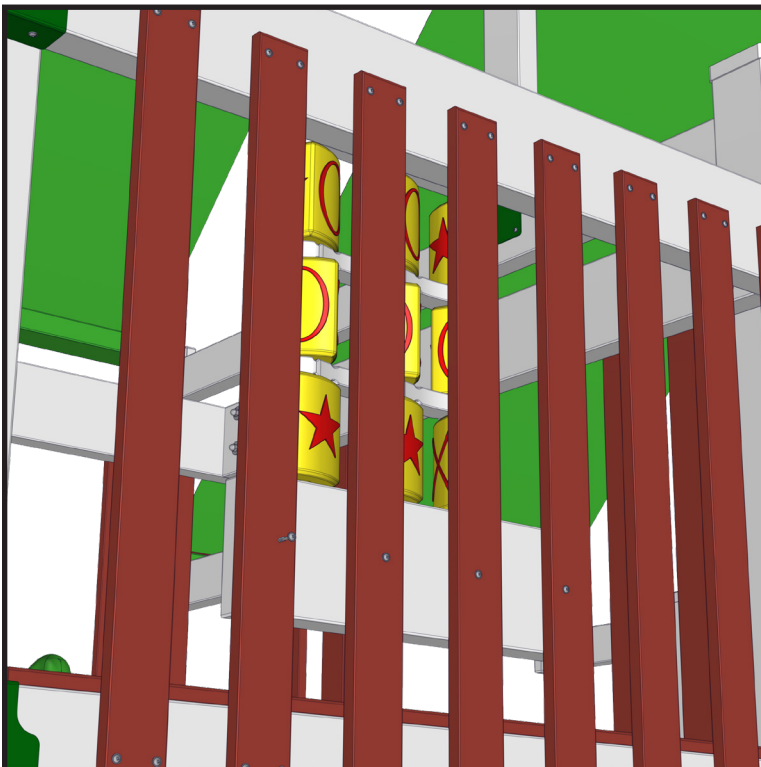
#### Tic Tac Toe Panel (4H)

The tic tac toe panel comes with a 18 1/2" 2x6. Fasten one end of the panel to the 2x6 using four 1 3/4" washer head screws.



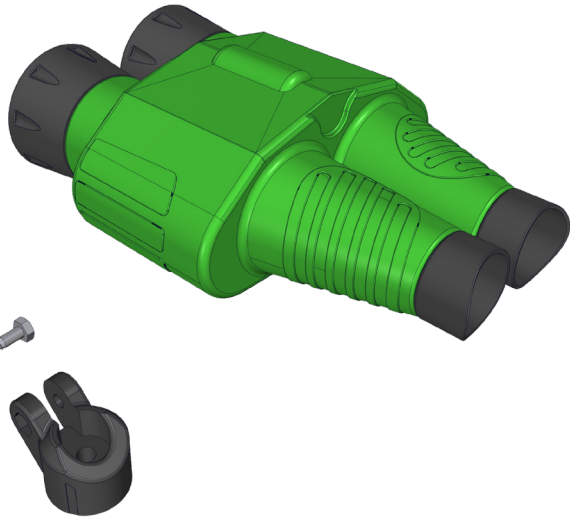
#### Tic Tac Toe Panel (4H)

Place the tic tac toe panel at your desired location and fasten the top end using the same screws as the last step.



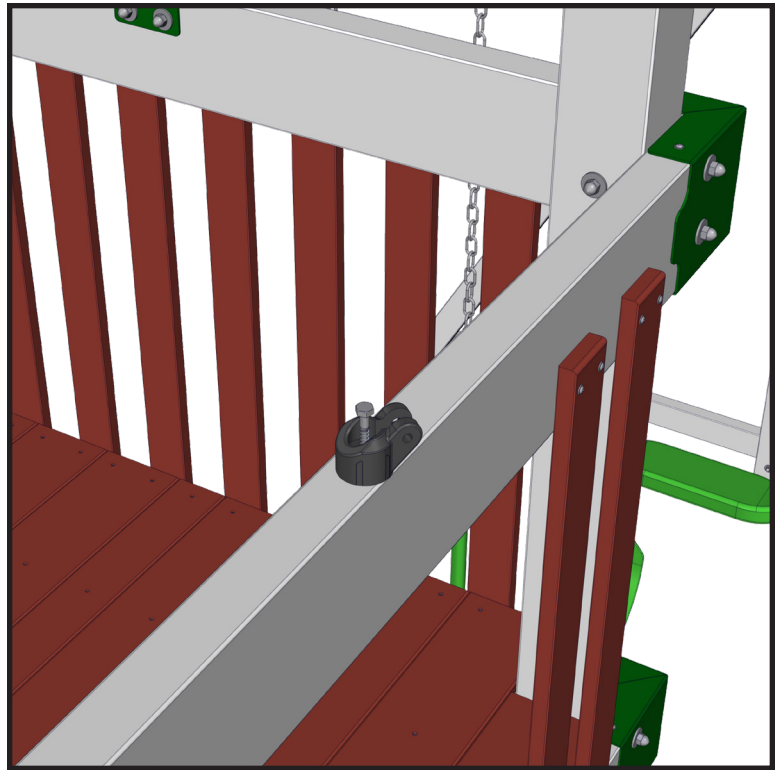
#### Tic Tac Toe Panel (4H)

Fasten the 2x6 to the poly slats using 1 3/4" washer head screws.



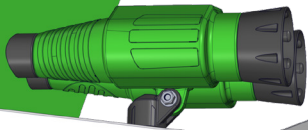
**Binoculars (4J)**

The binoculars comes with a mounting base, a bolt and a lag.



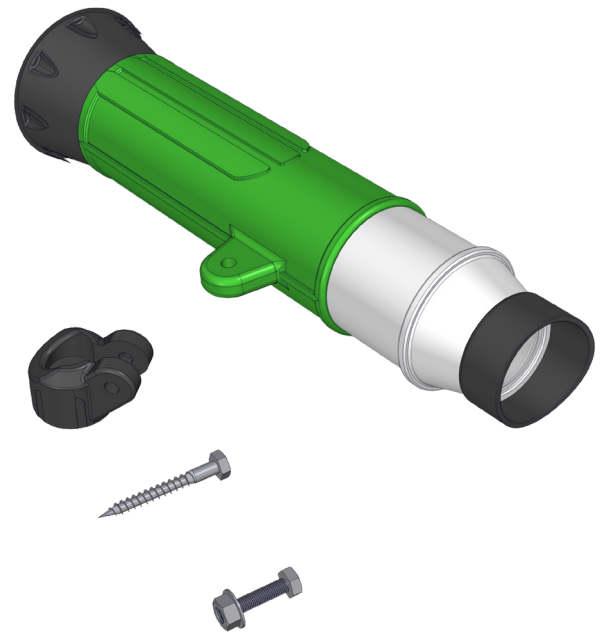
**Binoculars (4J)**

Use the lag to mount the binocular base to the 2x6 railing.



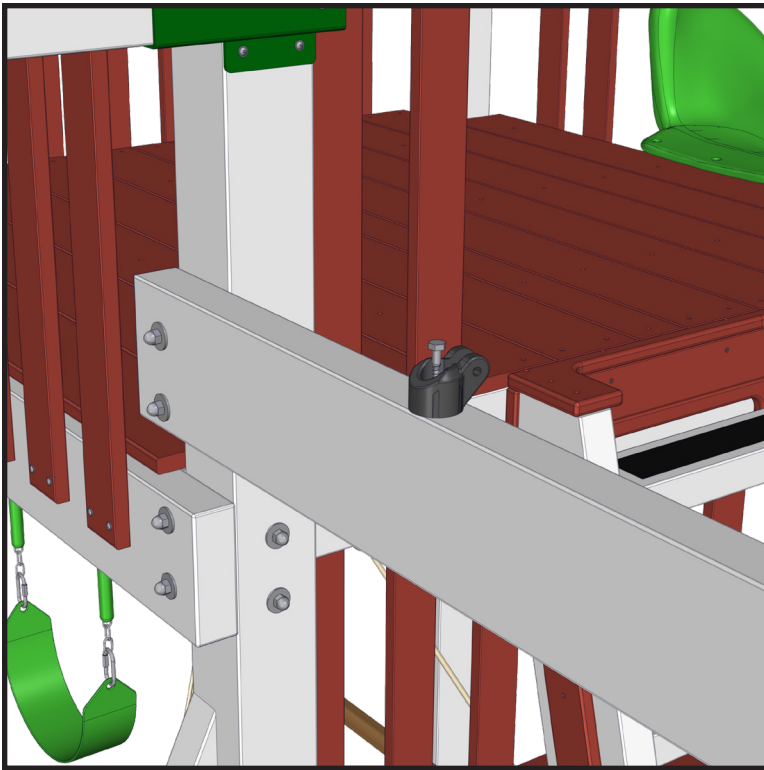
**Binoculars (4J)**

Attach the binoculars to the base using the bolt.



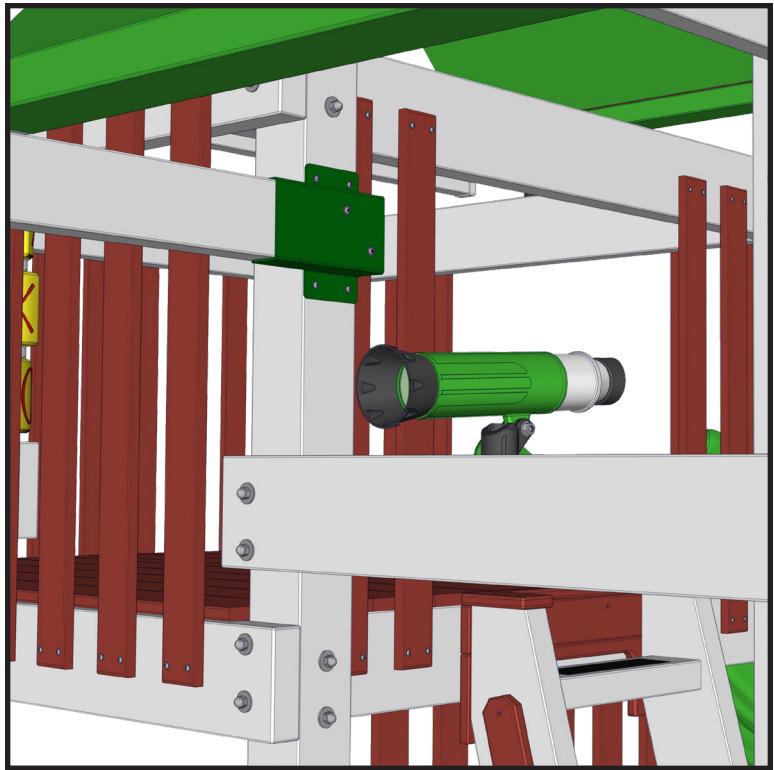
**Telescope (4I)**

The telescope comes with a mounting base, a bolt and a lag.



**Telescope (41)**

Use the lag to mount the telescope base to the 2x6 railing.



**Telescope (41)**

Attach the telescope to the base using the bolt.

