

Polaris Playset

ASSEMBLY MANUAL



YardCraft
rediscover life outdoors

866-210-9273

YARDCRAFT.COM

271 S Shirk Road
New Holland PA 17557



YardCraft
rediscover life outdoors

Let the North Star be your guide to a great time on YardCraft's Polaris Vinyl Playset!

With a slide, a rock climbing wall, monkey bars, and swings for up to five kids, you'll be the hit of the entire neighborhood!

The vinyl construction keeps this playset low in maintenance but keeps the fun factor high!

The Polaris Vinyl Playset will enhance the appearance of your backyard, while also making it a one-stop-shop for having fun and making memories!

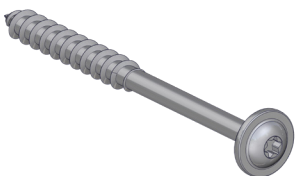
Tools Required

- 25' Tape Measure
- 9/16" Wrench
- Cordless Drill and Drill Bits
- 4' Step Ladder

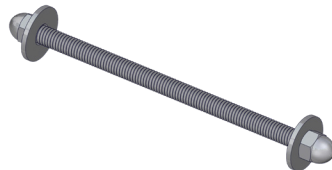
Tools Included

- #2 Square Drive Bit
- T30 Star Drive Bit

Hardware



Lags



Threaded Rods, Nuts and Washers



Washer Head Screws



Vinyl Screws

Tower		
Part No.	Type	Quantity
1A	108" 4x4 Post	4
1B	56" 2x6	12
1C	56" 2x4 Joists	3
1D	Floor Boards	11
1E	Slats	16
1F	Sandbox Seats	4

Swing Frame		
Part No.	Type	Quantity
3A	14' 2x6 Swing Beam	1
3B	93" 4x4 End Post	1
3C	93" 2x4 Ground Runner	1
3D	87" 2x4 Braces	2
3E	Beam Strap Bracket	1
3F	Corner Bracket	1
3G	End Bracket	1
3H	Swing Bearings	

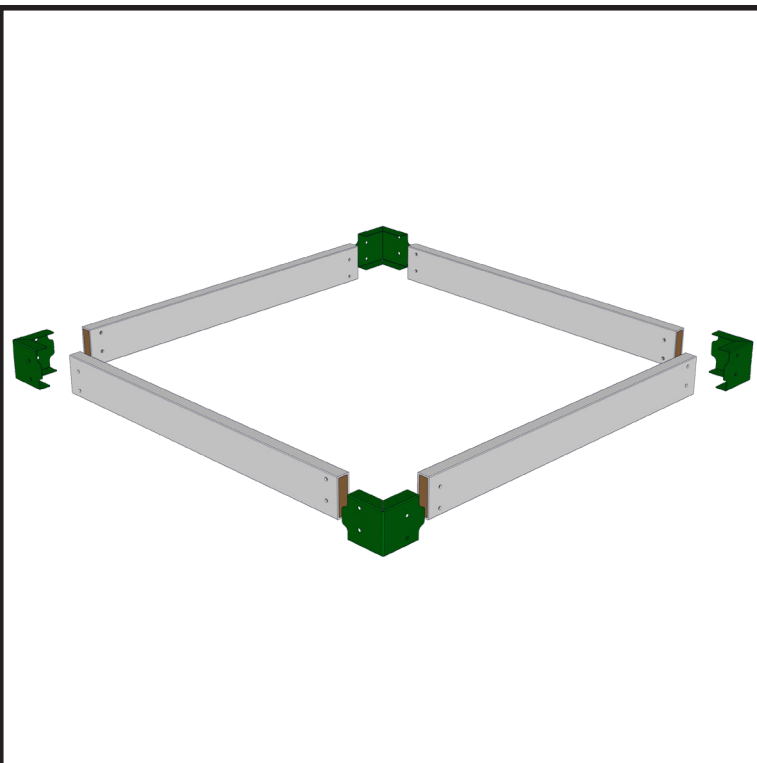
Climbing Set		
Part No.	Type	Quantity
5A	Top Ladder	1
5B	End Ladder	1
5C	117" 2x4 Ground Runner	1
5D	87" 2x4 Braces	2
5E	2x6 End Brackets	2

Accessories		
Part No.	Type	Quantity
4A	5' Ladder	1
4B	Ladder Handrail	1
4C	10ft Avalanche Slide	1
4D	Rock Wall	1
4E	Belt Swings	2
4F	Buoy Ball	1
4G	Glider Swing	1
4H	Glider Swing Bracket	1
4I	Gable Roof	1
4J	Gable Roof Bracket	4

Hardware		
Part No.	Type	Quantity
6A	3/8" Threaded Rods	
6B	3/8" Acorn Nuts	
6C	3/8" Washers	
6D	1 3/4" Washer Head Screws	
6E	1 1/2" Vinyl Screws	
6F	Lags	
6G	2x6 Corner Brackets	12
6H	2x4 Joists Hangers	6

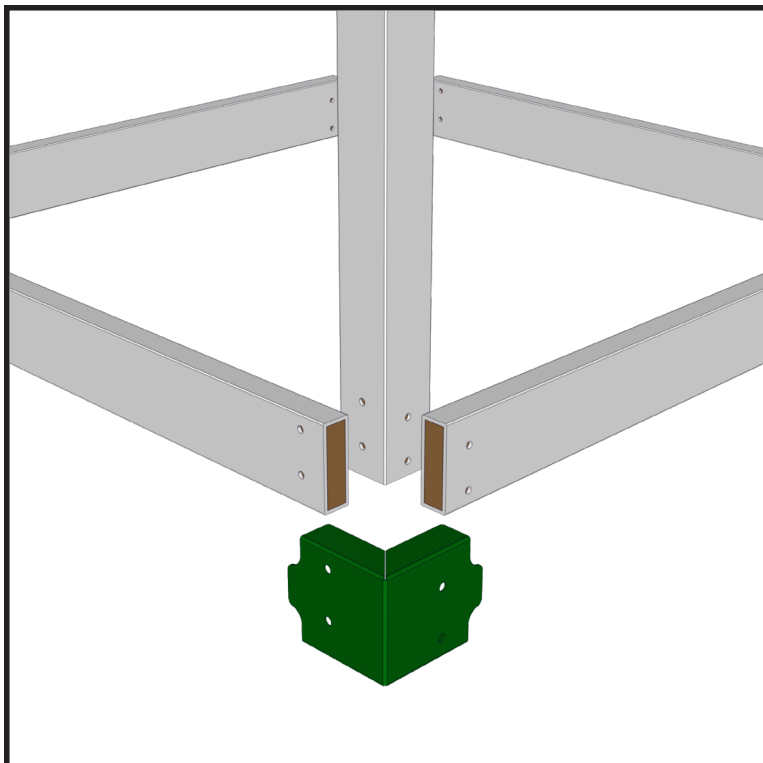
Parts List





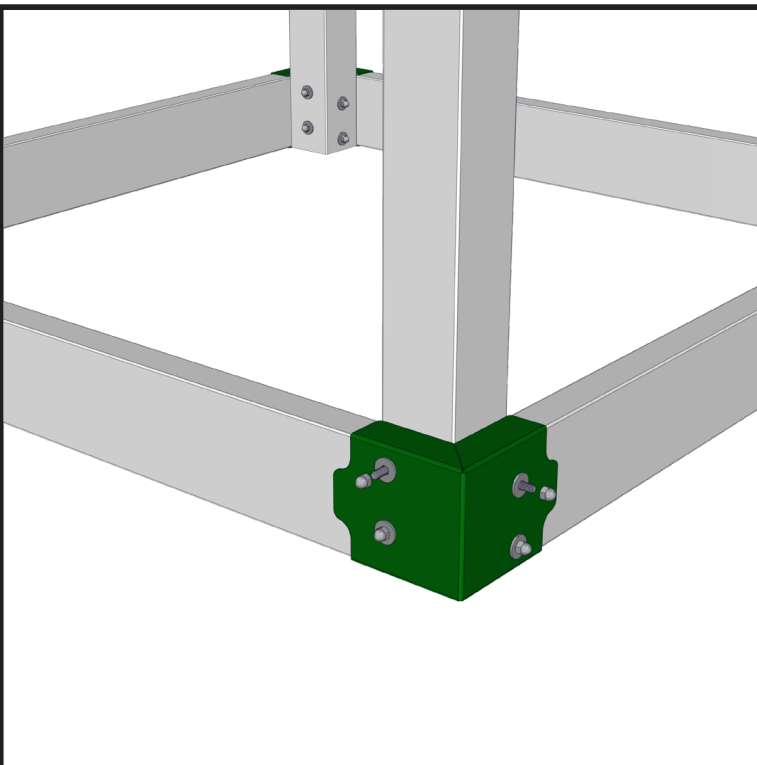
Step 1.

Begin the assembly by placing four 56" 2x6's (1B) in a square. Place a corner bracket (6G) at each corner. Notice how the holes in the 2x6's and the corner brackets are offset and need to be aligned correctly.



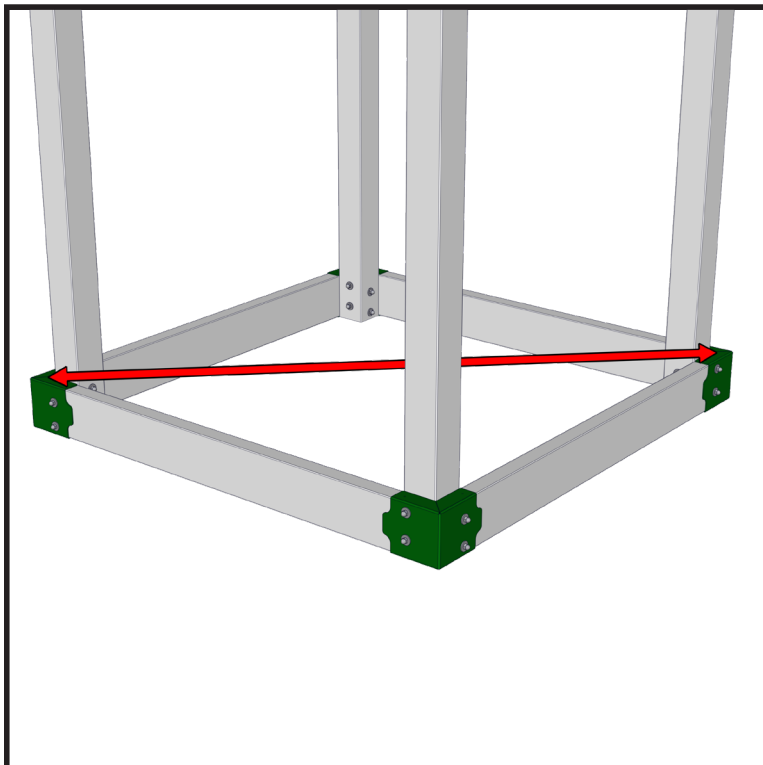
Step 2.

Place the 108" 4x4 posts (1A) in place. The pre-drilled holes need to be aligned with the holes in the 2x6's.



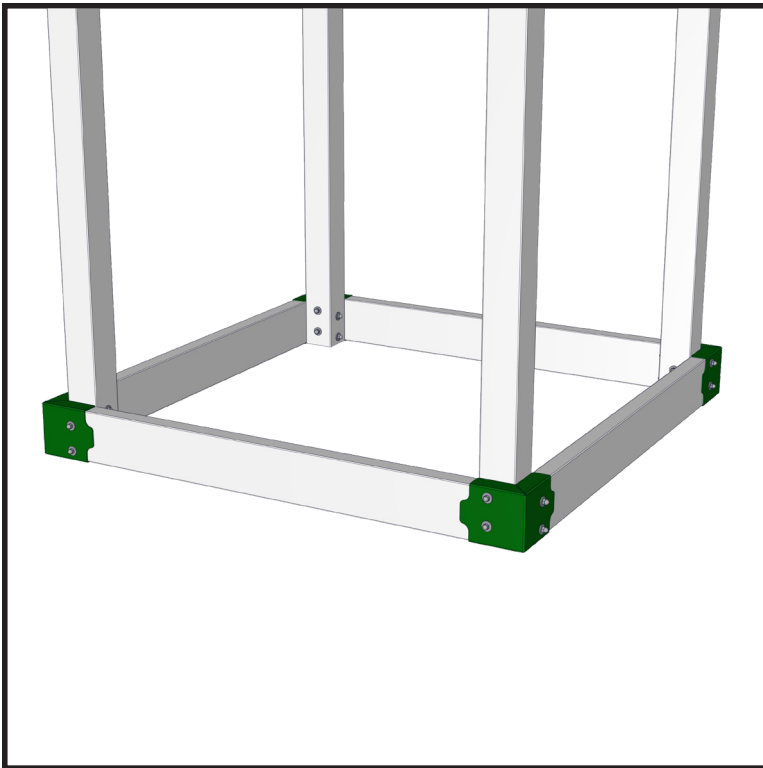
Step 3.

Begin fastening the 4x4 to the 2x6's using 6 ⁷/₈" threaded rods with acorn nuts and washers. (6A, 6B, 6C) Only finger tighten the nuts at this point.

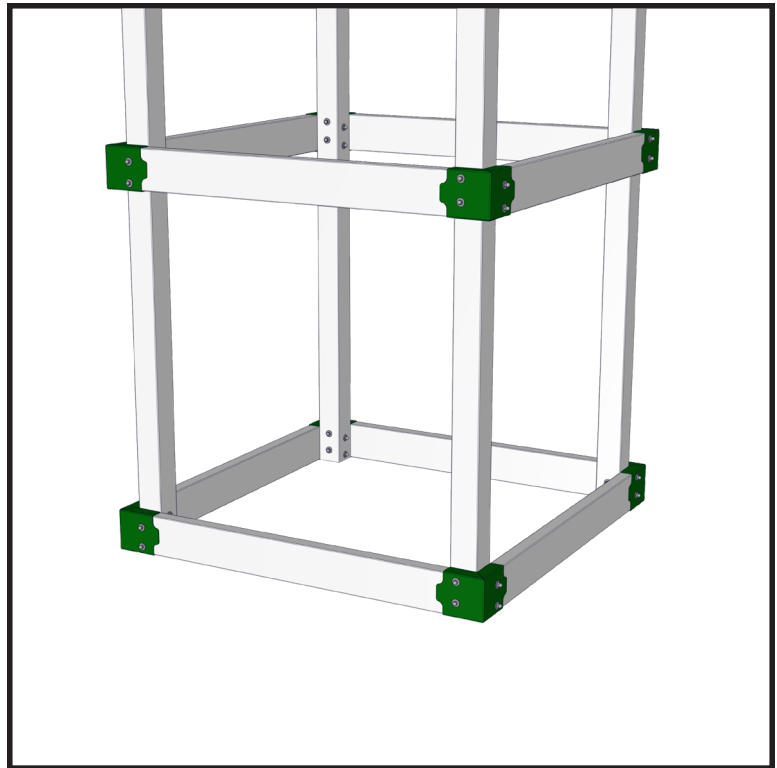


Step 4.

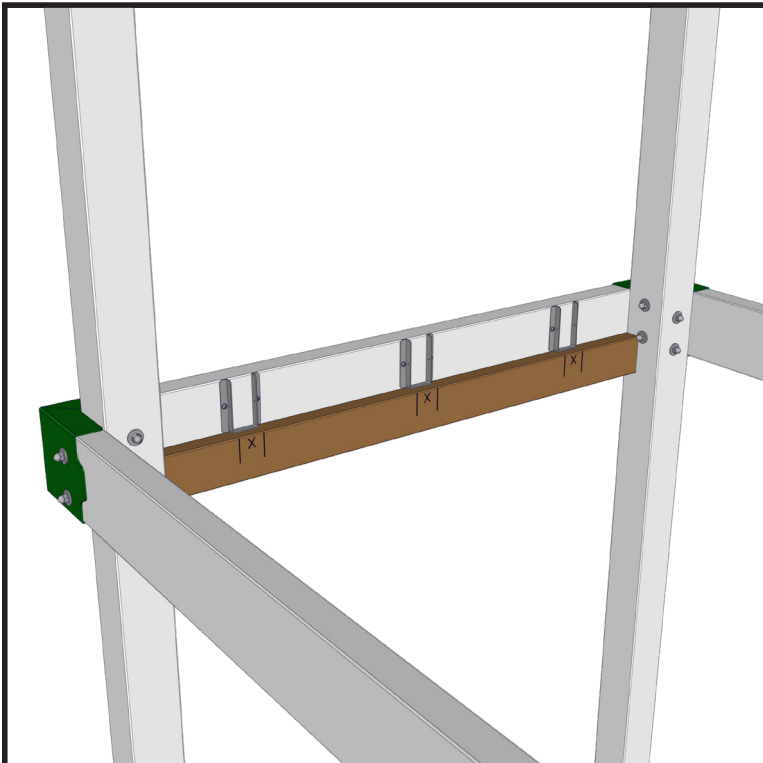
Once the 4x4 posts are installed measure across the corners to ensure the tower is square.



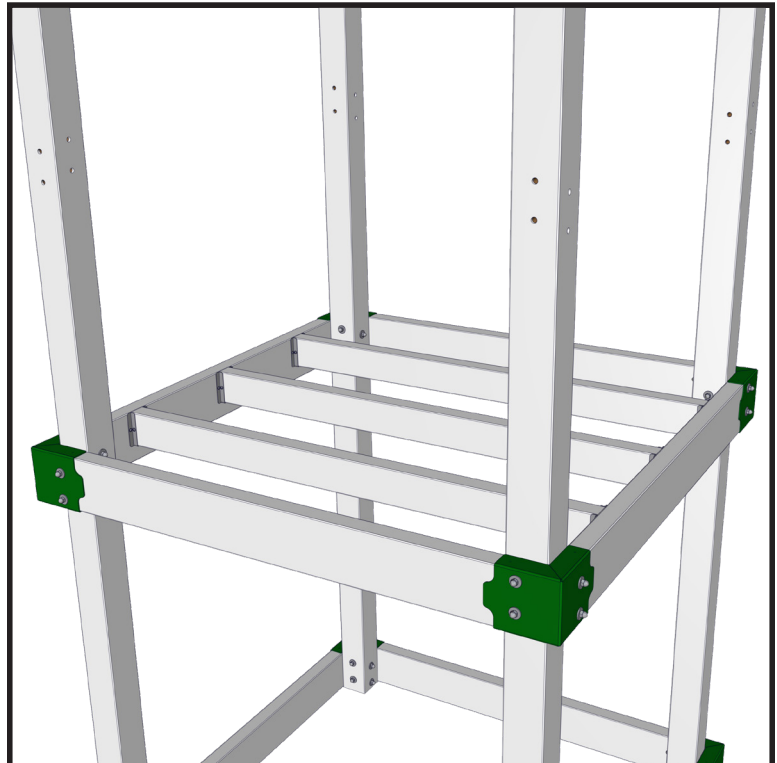
Step 5.
Tighten all the threaded rods using a $\frac{9}{16}$ " socket and a $\frac{9}{16}$ " open end wrench.
Keep in mind that overtightening the acorn nuts can damage them.



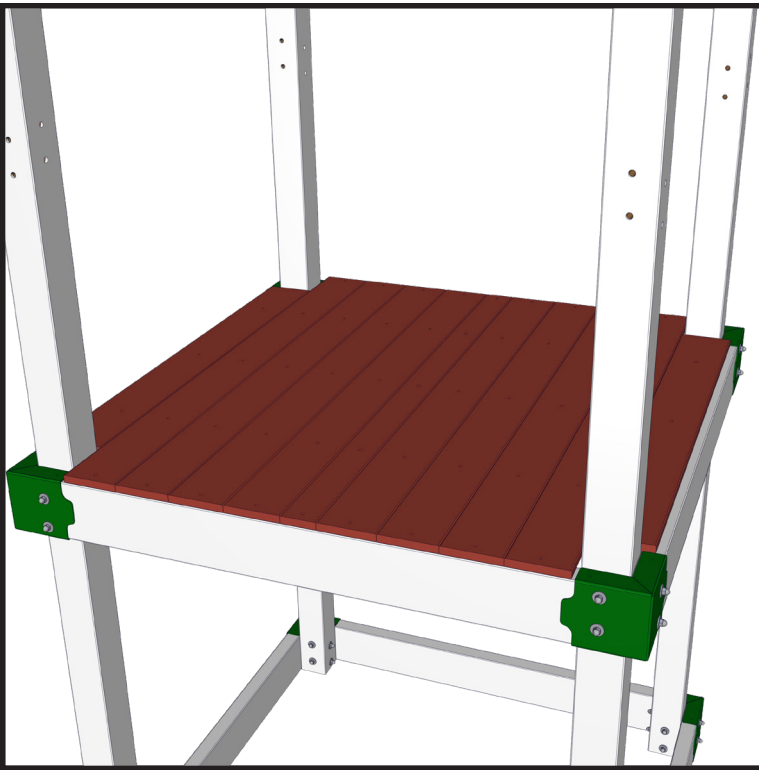
Step 6.
Repeat steps 1-5 to build the floor of the tower.



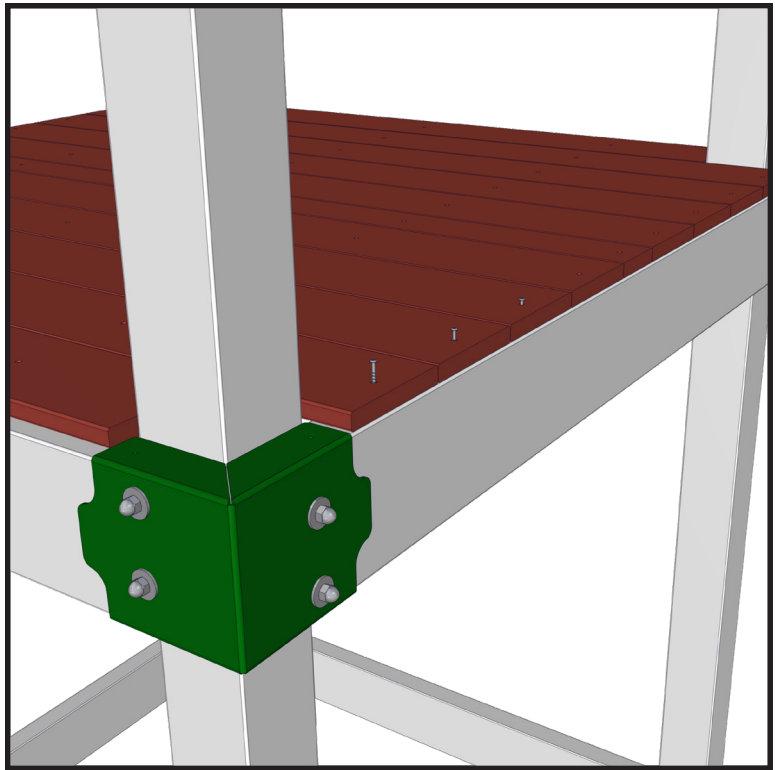
Step 7.
Locate the joist hanger template and install the joist hangers. (6H)
The joist hanger template will show you where to properly position them.
Keep the joist hangers flush with the top of the 2x6 and fasten them with 1 $\frac{3}{4}$ " washer head screws. (6D)



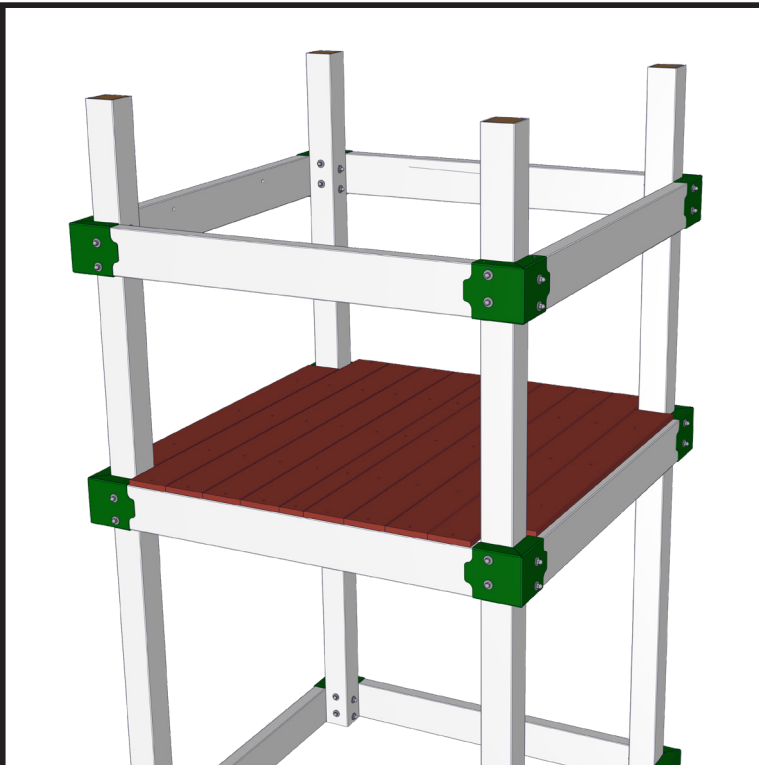
Step 8.
Once the joist hangers are in place the 44" 2x4 floor joists (1C) can be installed next.
Fasten them with the same washer head screws.



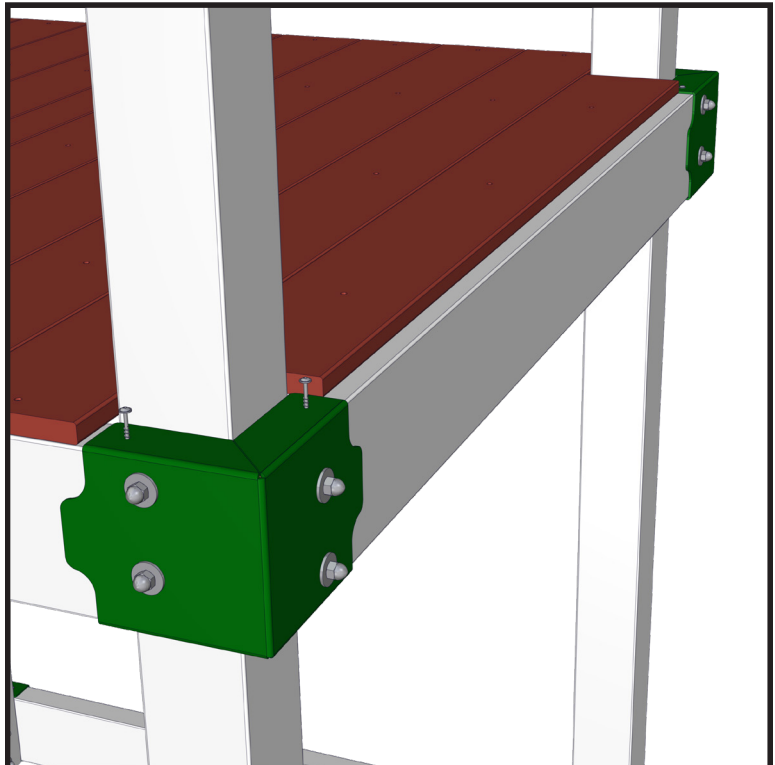
Step 9.
Locate the floorboards (1D) and lay them in place. There are two short boards that go between the 4x4 posts and one narrow board for the center.



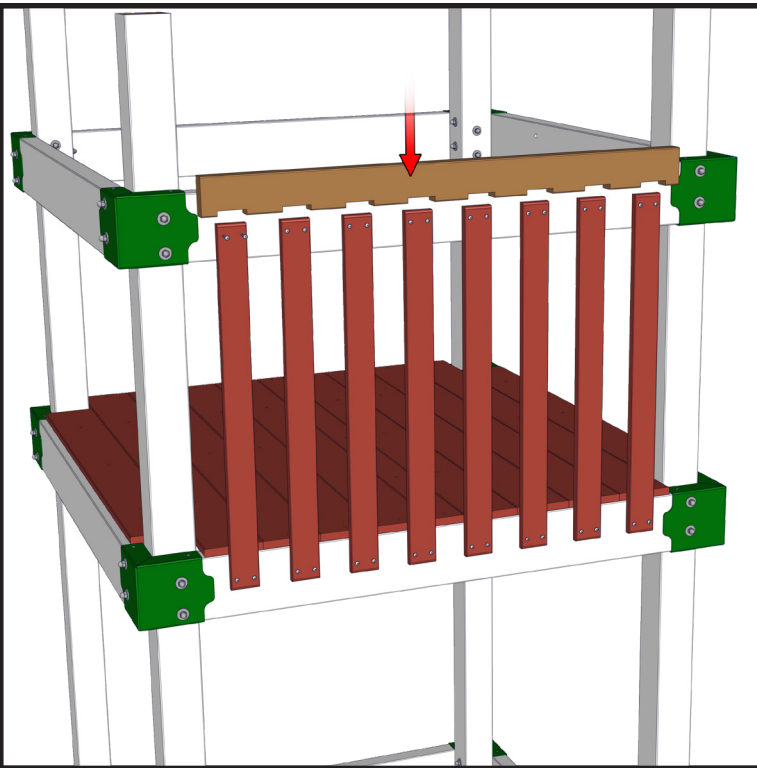
Step 10.
Fasten the floorboards using 1 1/2" vinyl screws. (6E)



Step 11.
After the floor is finished assemble the railing section using 56" 2x6's, corner brackets and 6 7/8" threaded rods.



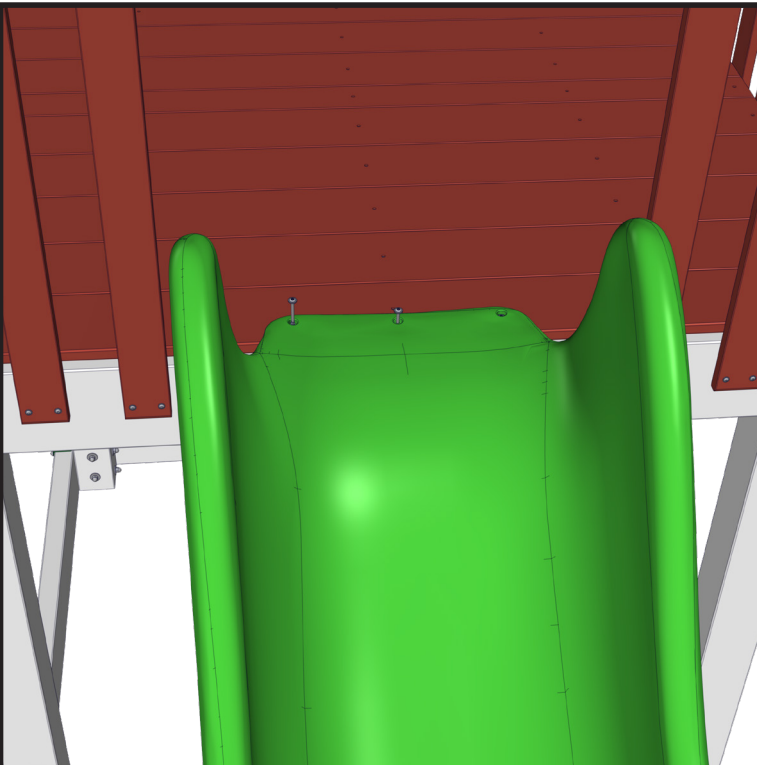
Step 12.
Complete the main structure by fastening the corner brackets. Use 1 3/4" washer head screws to fasten the top and bottom of each bracket. The ground brackets only get the tops fastened.



Step 13.
 The next step is to fasten the slats to the 2x6's to complete the railings.
 Use the included template to align the slats then fasten them with 1 3/4" washer head screws.
 Before you attach the slats you need to decide where you want the swing beam, ladder and slide then install the slats accordingly.



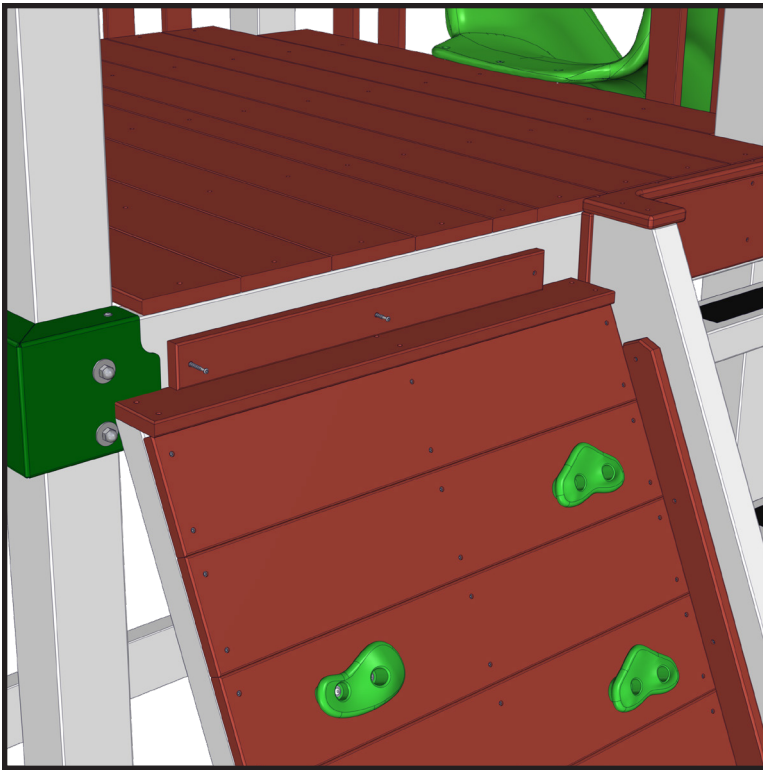
Step 14.
 The side of the platform with the slide and the side with the climbing set both get four slats.



10ft Avalanche Slide (4C)
 Place the slide in place then fasten it with the included lags.
 Make sure the lags go into the 2x6 below and not just through the floorboards.

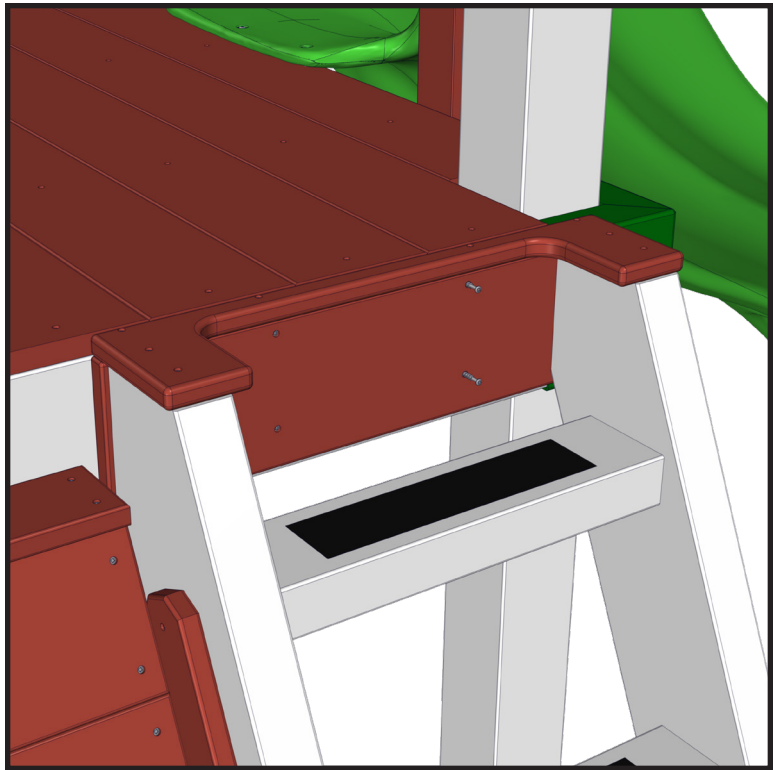


Rock Wall (4D) & Ladder (4A)
 Locate the rock wall and 5ft ladder and place them both in place.



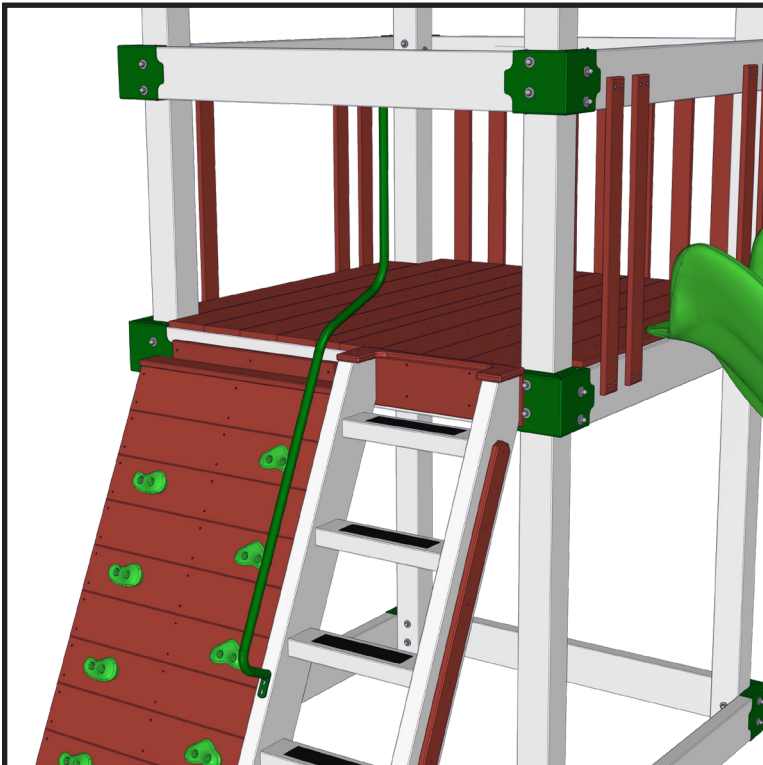
Rock Wall (4D)

Fasten the top piece on the rock wall to the 2x6 using 1 1/2" vinyl screws.



5ft Ladder (4A)

Fasten the ladder to the 2x6 using the same screws.



Ladder Handrail (4B)

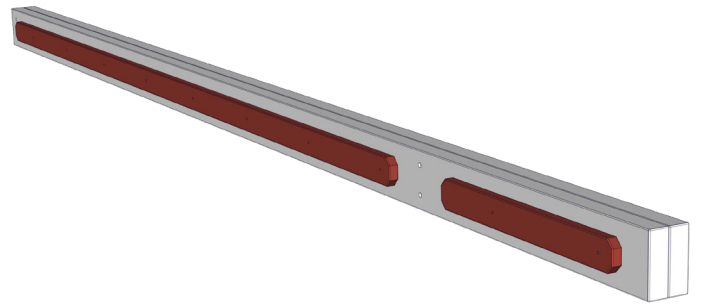
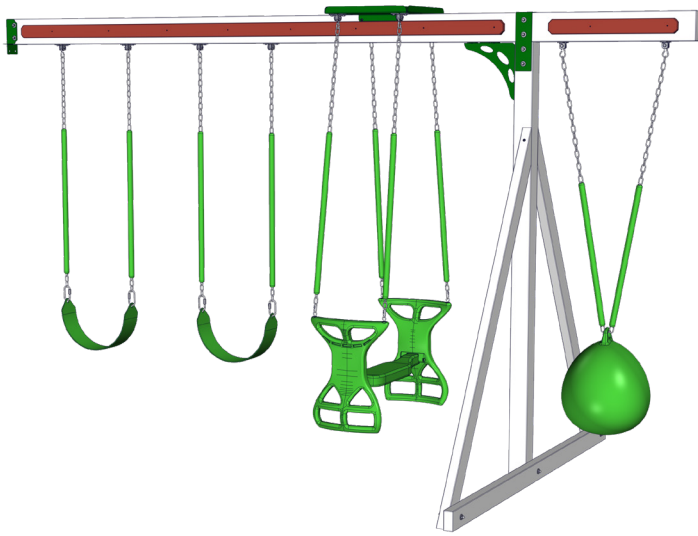
Place the handrail in position on the ladder and fasten it with four 1 1/2" lags.



Sandbox Seats (1F)

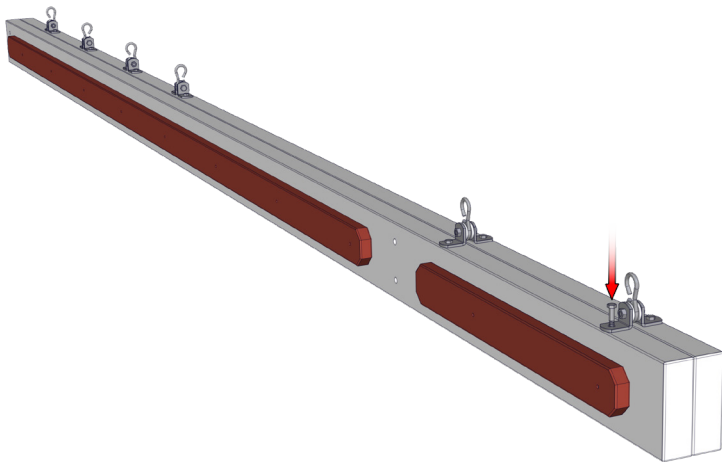
Fasten the sandbox seats (1F) to the bottom 2x6's using 1 1/2" vinyl screws.

Swing Frame Assembly



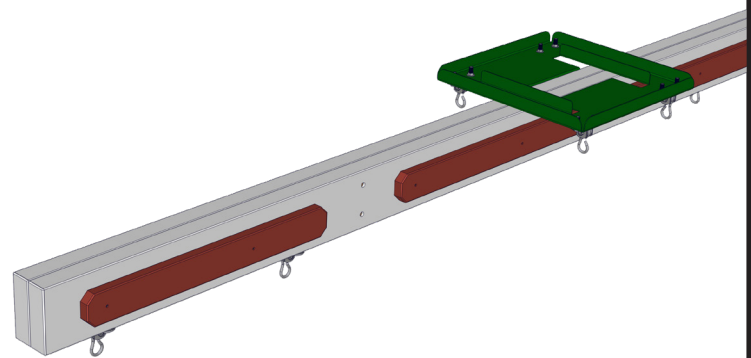
Step 1.

Start the swing frame assembly with the 2x6 swing beam. (3A)



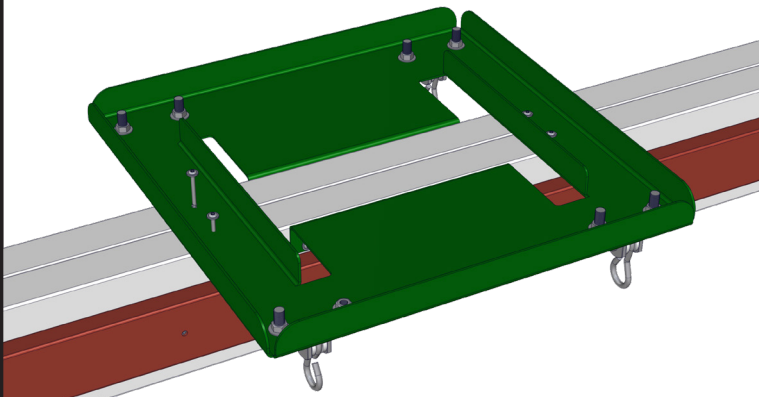
Step 2.

Fasten the swing bearings (3H) to the swing beam using the lags provided with the bearings.

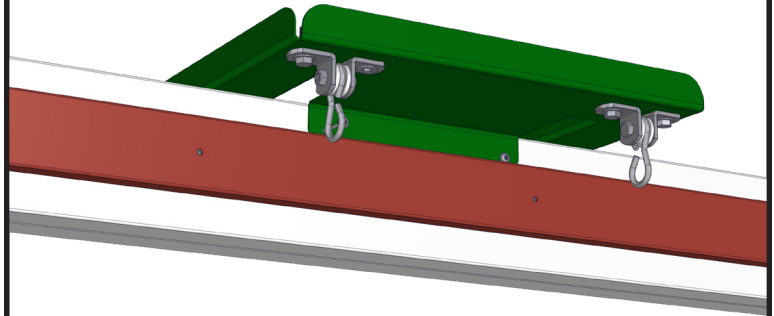


Step 3.

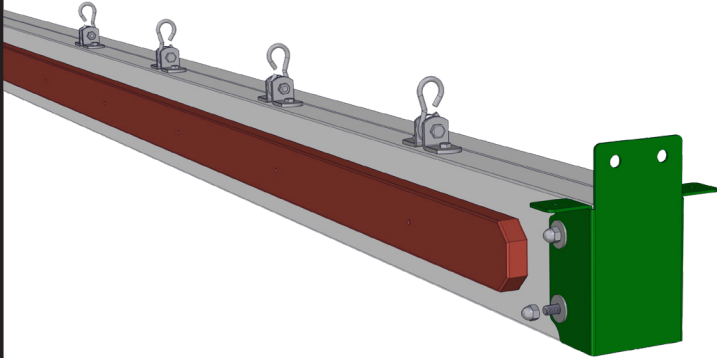
Place the glider bracket (4H) in position.



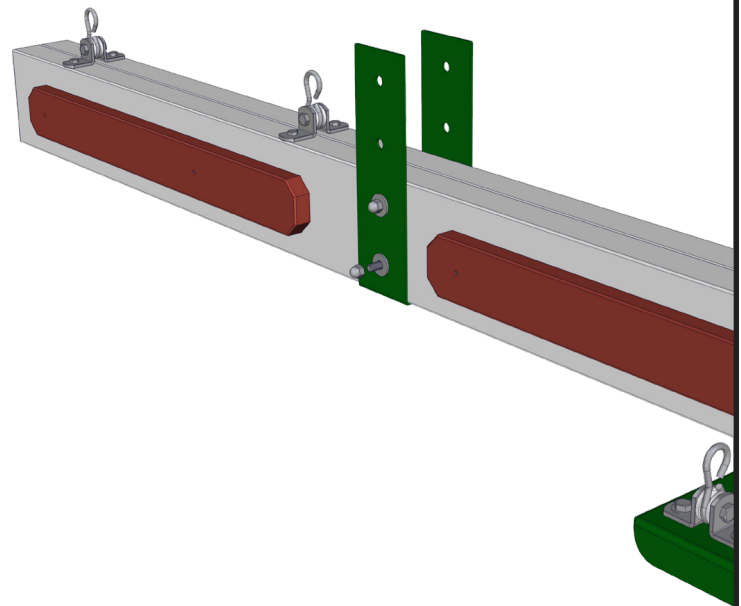
Step 4.
Pre-drill four $\frac{1}{2}$ " holes then attach the bracket using the included lags.



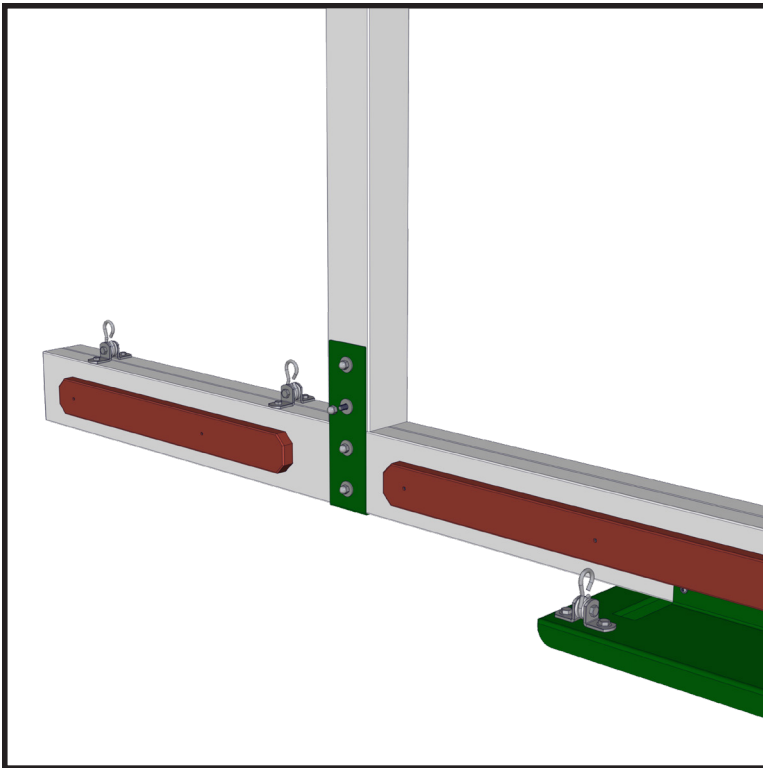
Step 5.
Fasten the side tabs of the bracket using $1 \frac{3}{4}$ " washer head screws.



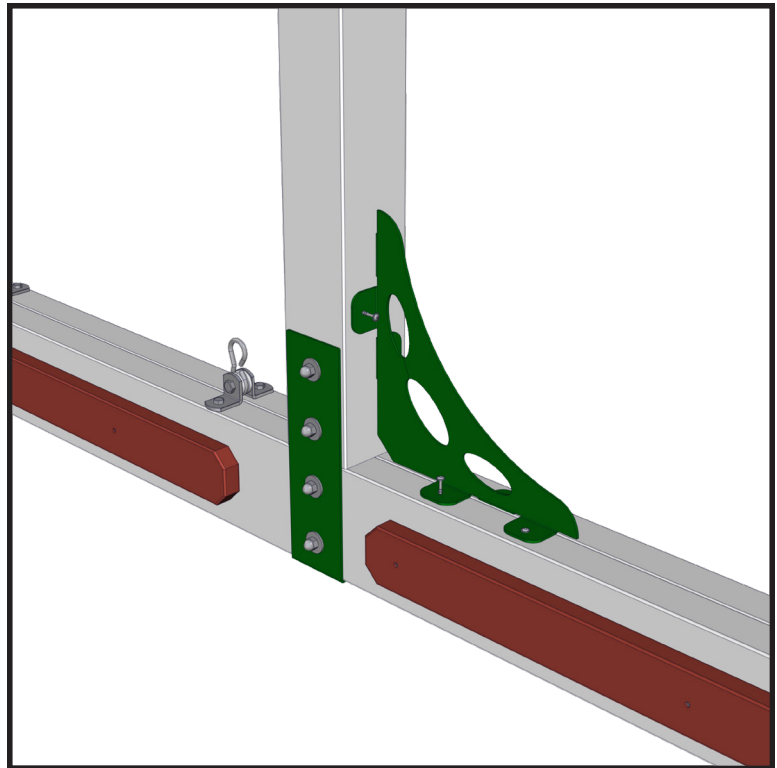
Step 6.
Attach the swing beam bracket (3G) to the end of the beam without the end caps.
Use two $4 \frac{7}{8}$ " threaded rods with washers and acorn nuts to fasten the bracket.



Step 7.
Install the beam strap (3E) on the other end of the beam using the same $4 \frac{7}{8}$ " threaded rods.
Only finger tighten the nuts at this point.



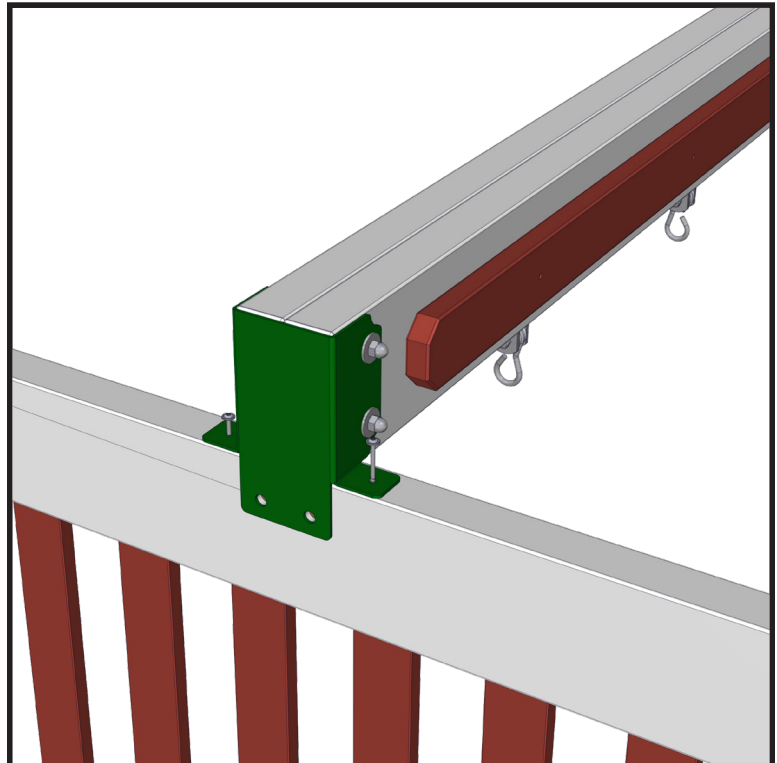
Step 8.
Find the 4x4 end post (3B) and install it in the beam strap.
Make sure the post is square with the swing beam then tighten all the nuts.



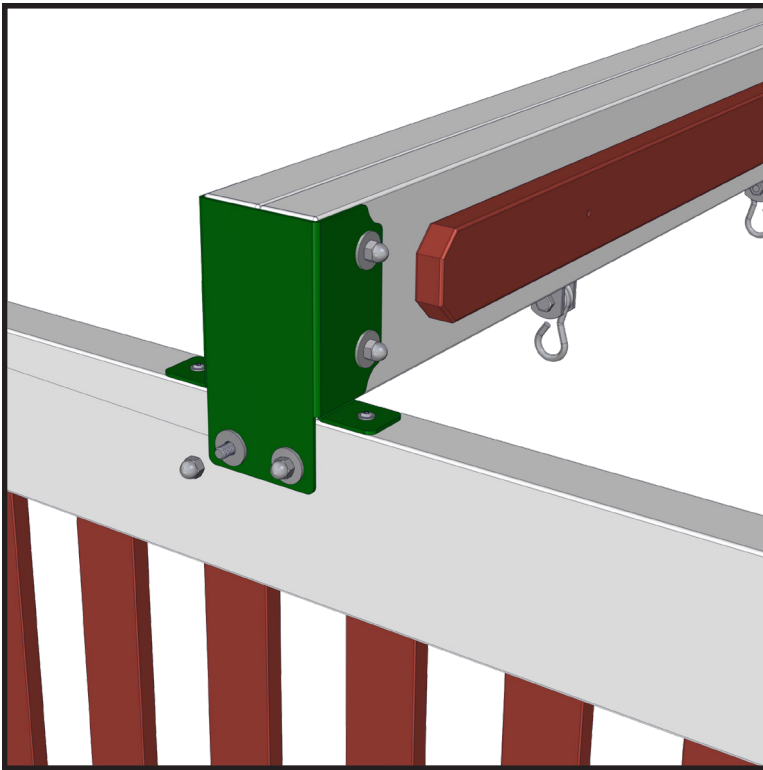
Step 9.
Attach the corner bracket (3F) to the swing beam and end post.
Fasten it with 1 3/4" washer head screws.



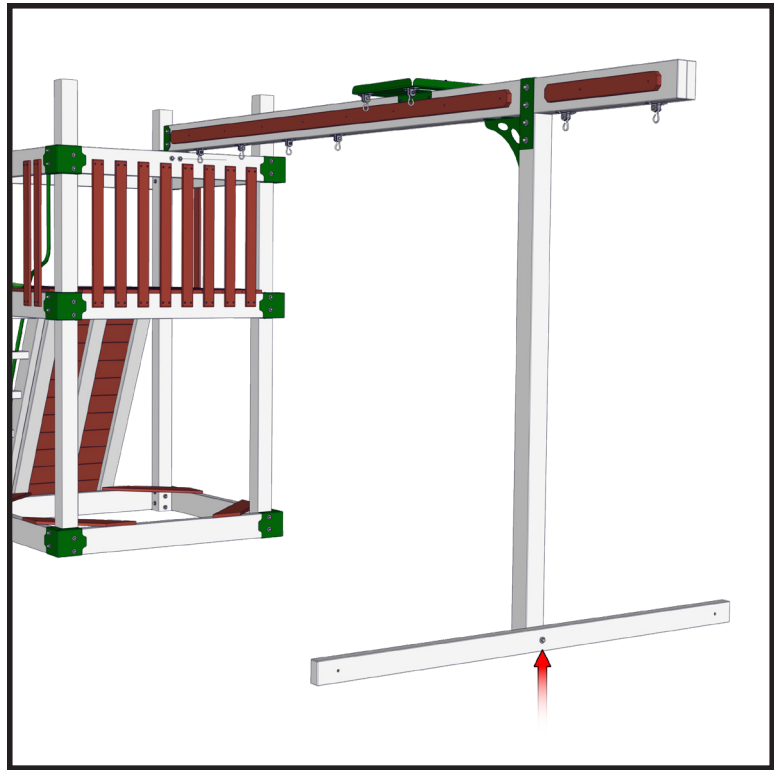
Step 10.
Lift the swing beam up into place on the tower.



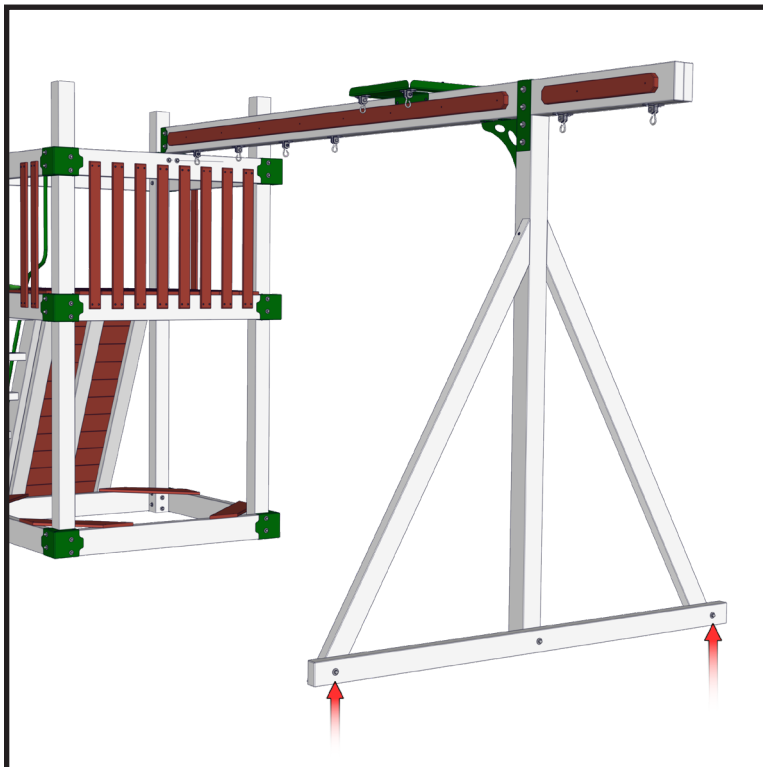
Step 11.
Fasten the swing beam bracket to the 2x6 using 3" lags after placing it in position.



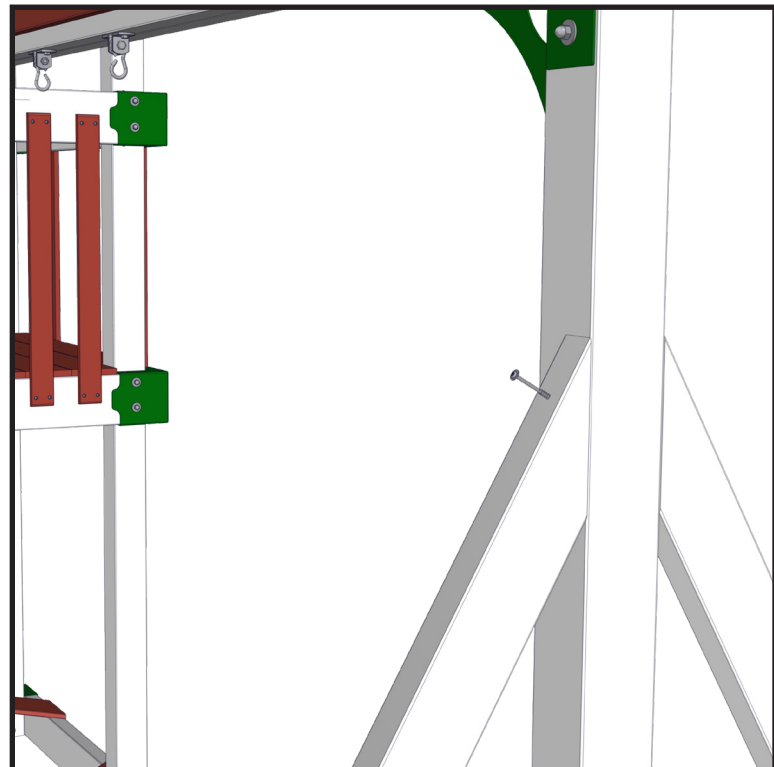
Step 12.
Next pre-drill two $\frac{7}{16}$ " holes through the 2x6 then fasten the bracket with two $2\frac{3}{4}$ " threaded rods.



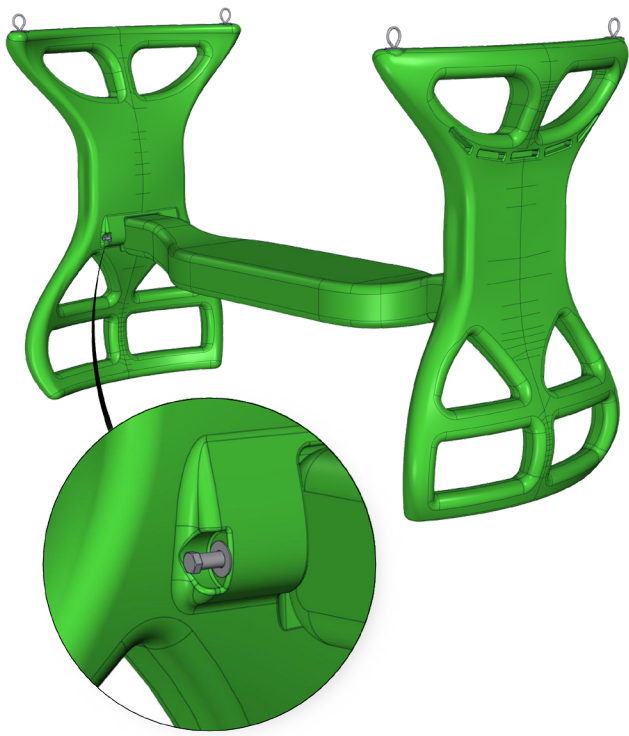
Step 13.
Find the ground runner 2x4 (3C) and fasten it to the end post using a $6\frac{1}{2}$ " threaded rod, nut and washer.



Step 14.
Place the 2x4 end braces (3D) in place and fasten the bottom ends to the ground 2x4.
Use two $4\frac{1}{8}$ " threaded rods to fasten them.



Step 15.
Fasten the top ends of the braces to the end post using 4" lags.
Pre-drill the holes first using a $\frac{1}{4}$ " drill bit.

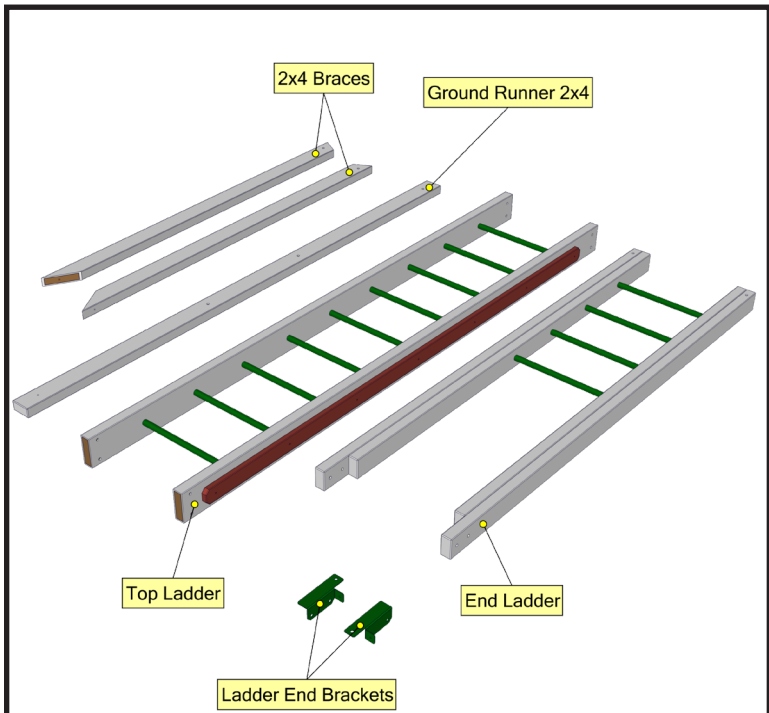


Step 16.
Assemble the glider pieces using the included hardware.

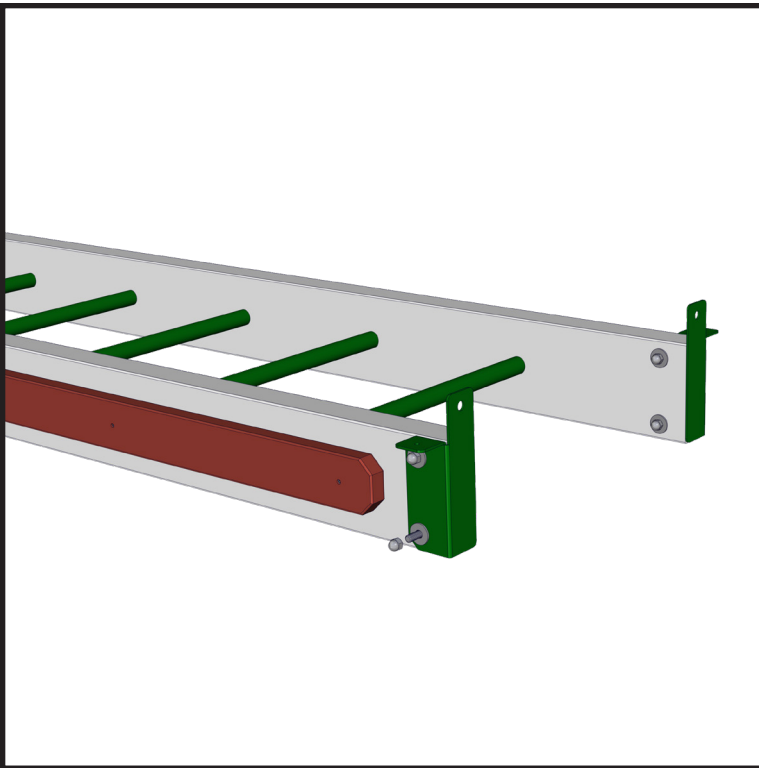


Step 17.
Install the swings to finish the swing frame assembly.

Climbing Set Assembly



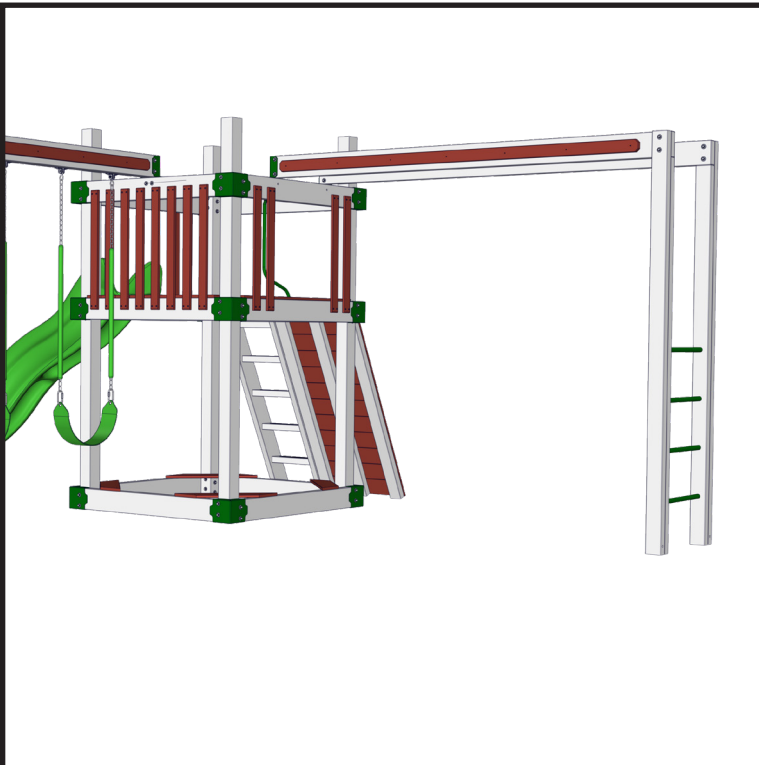
Step 1.
Locate these parts to begin the climbing set assembly.



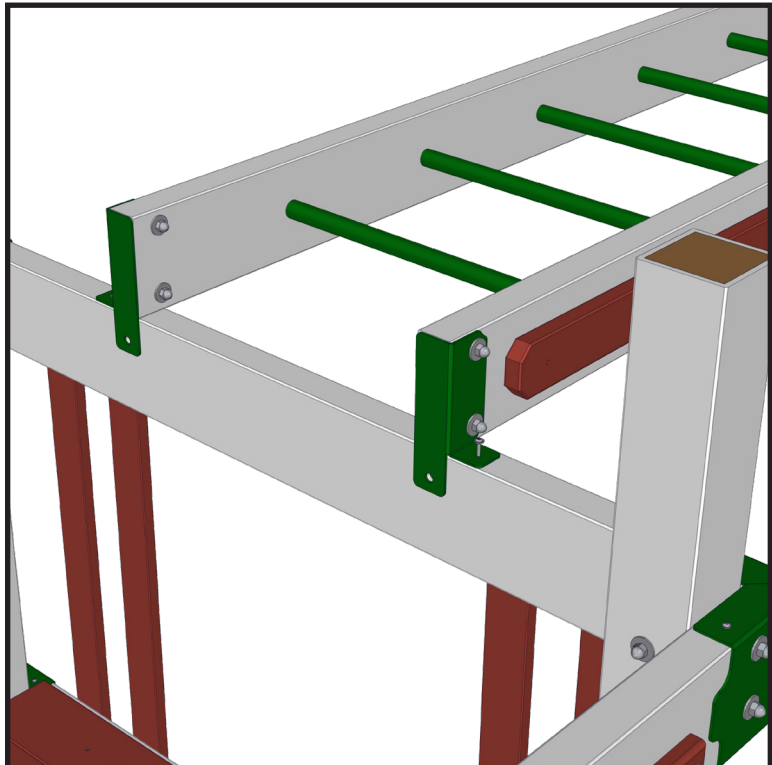
Step 2.
Install the ladder end brackets (5E) on the end of the top ladder.
(5A)
Fasten them with 2 5/8" threaded rod, washers and acorn nuts.



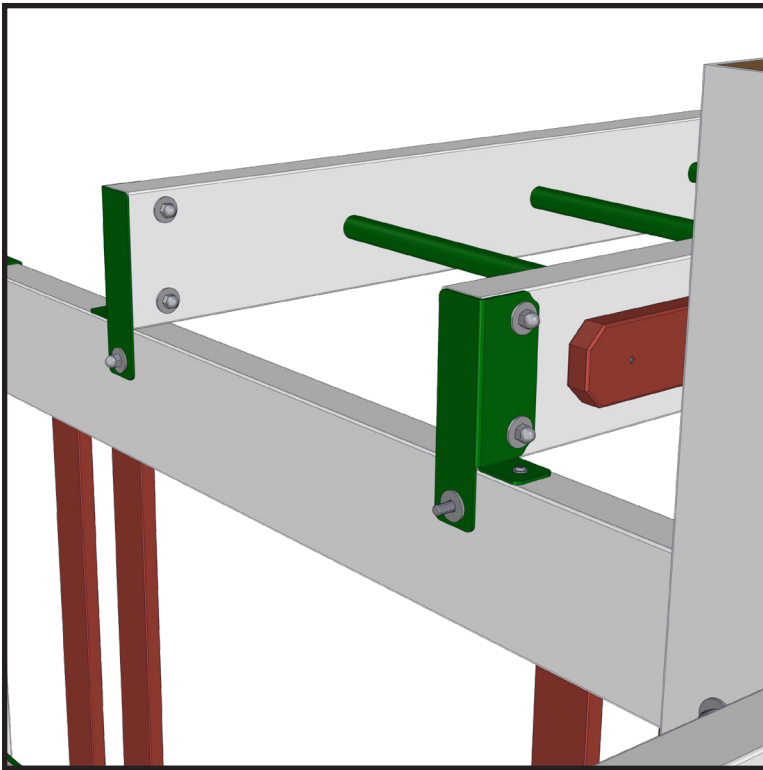
Step 3.
Place the end ladder (5B) in position as shown and fasten it with 4 1/8" threaded rods.



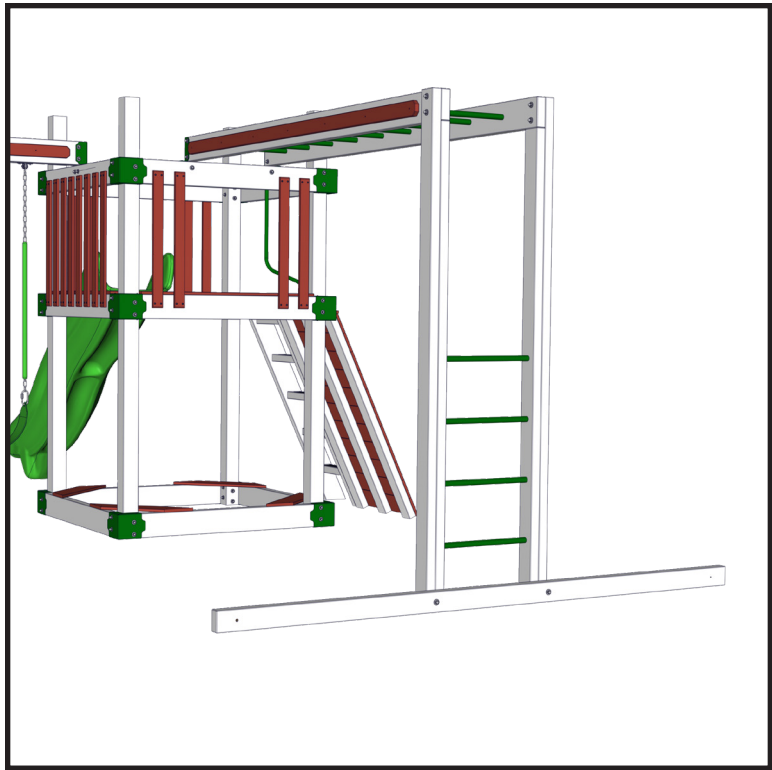
Step 4.
Flip the climbing set over and place it in position on the platform.



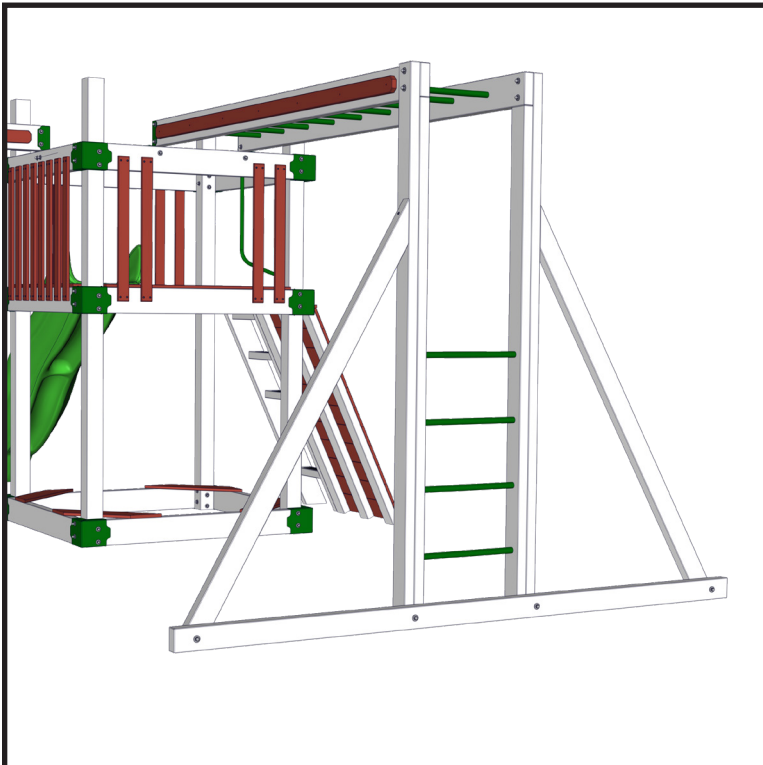
Step 5.
Fasten the side tabs on the end brackets using 3" lags.



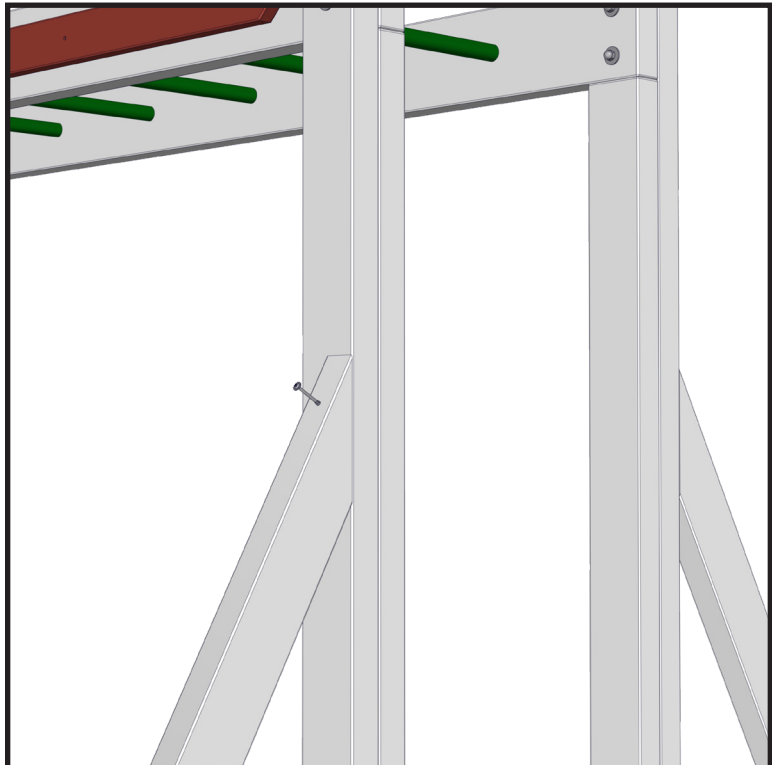
Step 6.
Next pre-drill two $\frac{7}{16}$ " holes through the 2x6 railing then fasten the brackets using two 2 $\frac{5}{8}$ " threaded rods.



Step 7.
Place the ground runner 2x4 (5C) in place and fasten it with two 6 $\frac{1}{8}$ " threaded rods.

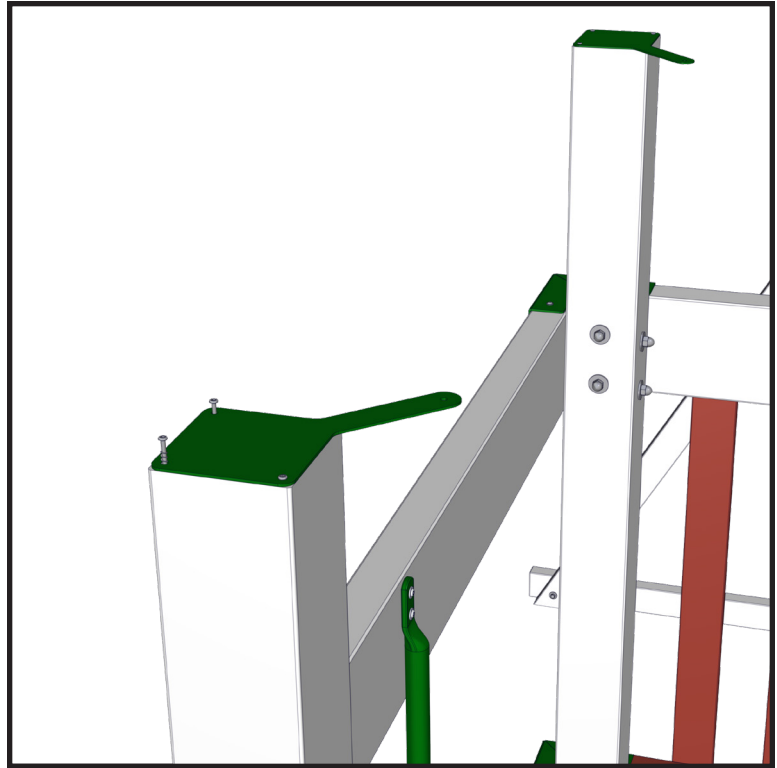


Step 8.
Locate the 2x4 side braces (5D) and install them as shown. Fasten the bottom ends to the ground runner 2x4 using 4 $\frac{1}{8}$ " threaded rods.

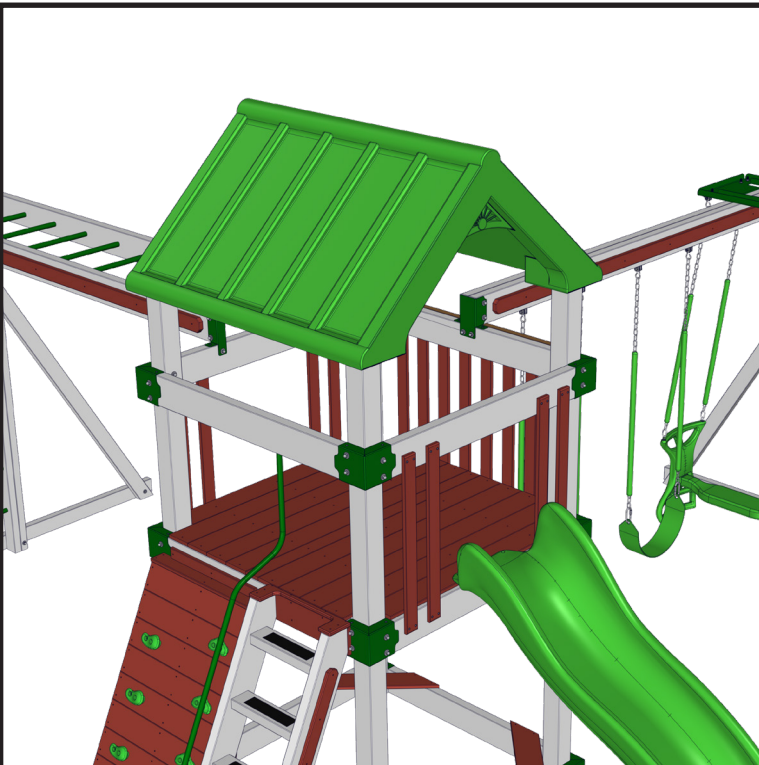


Step 9.
Fasten the top of the braces using 4" lags. These holes may have to be pre-drilled with a $\frac{1}{4}$ " bit.

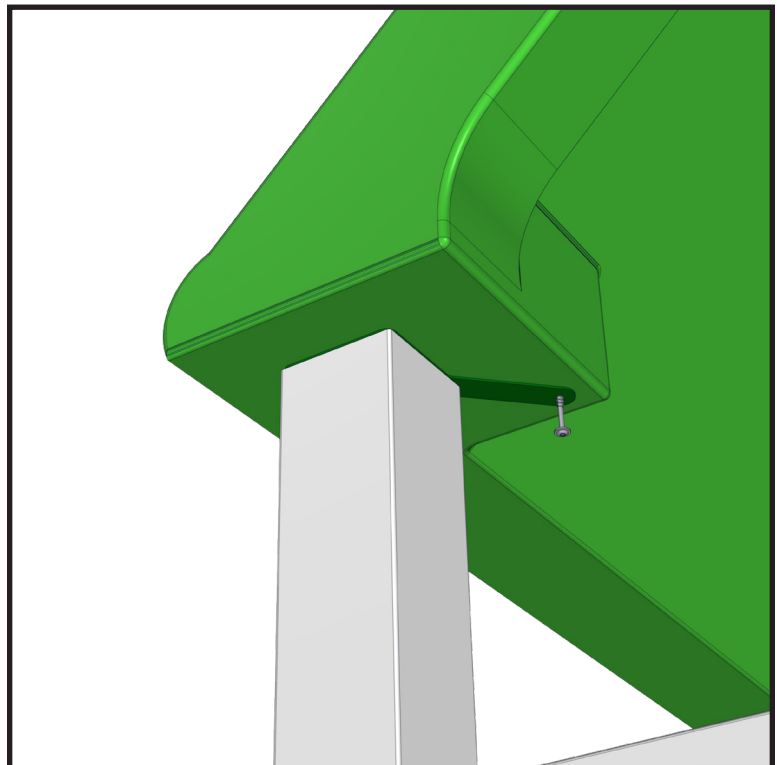
Gable Roof Assembly



Step 1.
Place the gable roof brackets (4J) on the 4x4 post facing in as shown.
Fasten them with 1 1/2" vinyl screws.



Step 2.
Place the gable roof (4I) in position on top of the 4x4 posts.



Step 3.
Fasten the roof to the brackets using the included hardware.

