

# Orion Playset

ASSEMBLY MANUAL



**YardCraft**  
rediscover life outdoors

866-210-9273

[YARDCRAFT.COM](http://YARDCRAFT.COM)

271 S Shirk Road  
New Holland PA 17557



# YardCraft

rediscover life outdoors

Shoot for the stars with YardCraft's Orion Vinyl Playset!

With two slides, a rock climbing wall, cargo net, tic-tac-toe, and swings for up to five kids, you'll be the hit of the entire neighborhood!

The vinyl construction keeps this playset low in maintenance but keeps the fun factor high!

The Orion Vinyl Playset will enhance the appearance of your backyard, while also making it a one-stop-shop for having fun and making memories!

### Tools Required

- Tape Measure
- Wrench & Socket Set
- Drill and Drill Bits
- Impact Driver
- Step Ladder
- Level

### Tools Included

- #2 Square Drive Bit
- T30 Star Drive Bit
- 4mm Hex Drive Bit

## Parts List

Tower		
Part No.	Type	Quantity
1A	54" 4x4 Post	4
1B	73 1/2" 2x6	2
1C	56" 2x6	6
1D	81 1/4" 2x6 Legs	4
1E	79 1/2" 2x6	2
1F	66 1/4" 2x6	1
1G	56" 2x4 Joists	3
1H	Floorboards	11
1I	Poly Slats	12
1J	2x6 Corner Brackets	4

Swing Frame		
Part No.	Type	Quantity
3A	14' 2x6 Swing Beam	1
3B	117" 4x4 End Post	1
3C	117" 2x4 Ground Runner	1
3D	110 5/8" 2x4 Braces	2
3E	Beam Strap Bracket	1
3F	Corner Bracket	1
3G	End Bracket	1
3H	Swing Bearings	

Accessories		
Part No.	Type	Quantity
4A	Ladder	1
4B	Ladder Handrail	1
4C	Cargo Net	1
4D	Rock Wall	1
4E	Wonder Wave Slide	1
4F	Super Spiral Slide	1
4G	Tic Tac Toe Panel	1
4H	Ships Wheel	1
4I	Binoculars	1
4J	Tire Swing	1
4K	Belt Swings	2
4L	Glider Swing	1
4M	Glider Swing Bracket	1

Tarp Roof		
Part No.	Type	Quantity
2A	104" 2x4	2
2B	61" 2x4	3
2C	51" 2x4	2
2D	Tarp Roof	1
2E	2x4 Roof Brackets	2

# Hardware

$\frac{3}{8}$  x 6  $\frac{7}{8}$ " (6A) Threaded Rod

$\frac{3}{8}$  x 6  $\frac{1}{8}$ " Threaded Rod (6B)

$\frac{3}{8}$  x 4  $\frac{7}{8}$ " Threaded Rod (6C)

$\frac{3}{8}$  x 2  $\frac{3}{4}$ " Threaded Rod (6D)

$\frac{3}{8}$  x 4" Hex Head Lag (6E)

3  $\frac{1}{2}$ " Star Head Lag (6F)

3" Star Head Lag (6G)

1  $\frac{1}{2}$ " Wafer Head Lag (6H)

1  $\frac{3}{4}$ " Washer Head Screw (6I)

1  $\frac{1}{2}$ " Poly Screw (6J)

$\frac{3}{8}$ " Acorn Nut (6K)

$\frac{3}{8}$ " Washer (6L)

$\frac{3}{8}$ " T-Nut (6M)

1

2

3

4

5

6

7

**Step 1.**

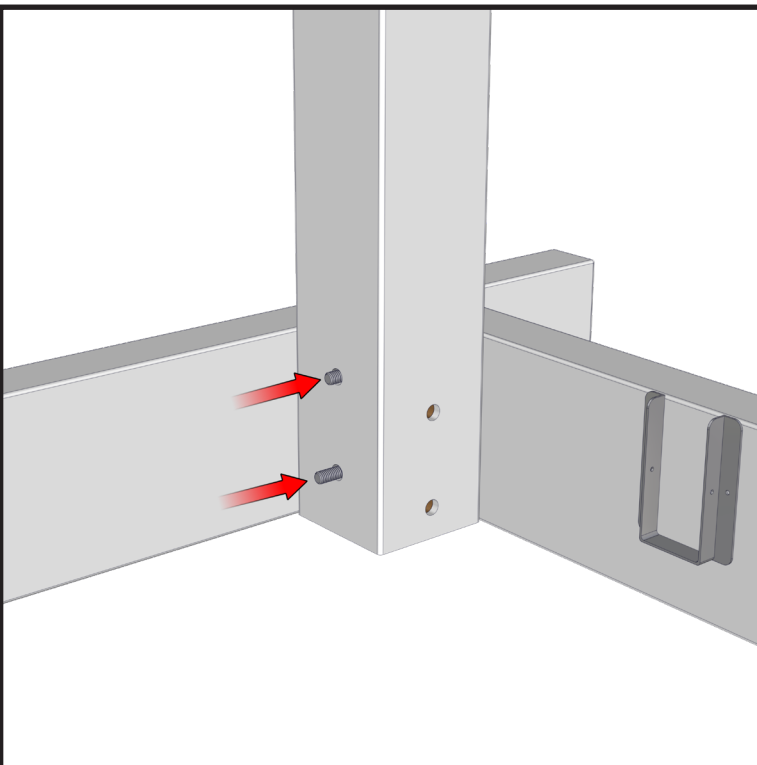
Begin the assembly by locating the two 56" 2x6's (1C) with the joist hangers attached. Place them as shown with the joist hangers facing in.

Next place the two 73 1/2" 2x6's (1B) on the outside.

**Step 2.**

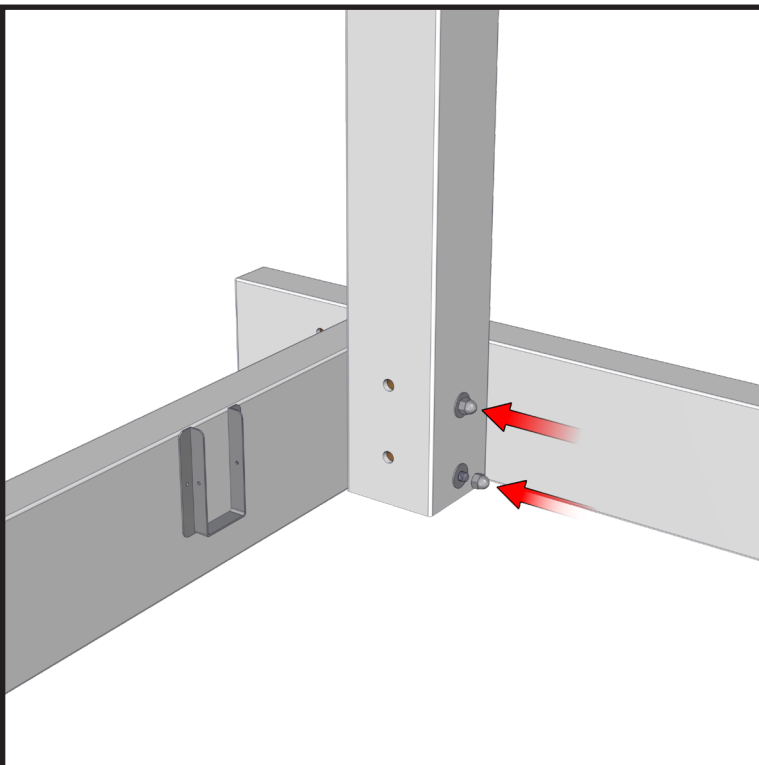
Place four 54" 4x4 posts (1A) in place.

These are pre-drilled for the threaded rods, notice how the holes are offset and need to align with the holes in the 2x6's.

**Step 3.**

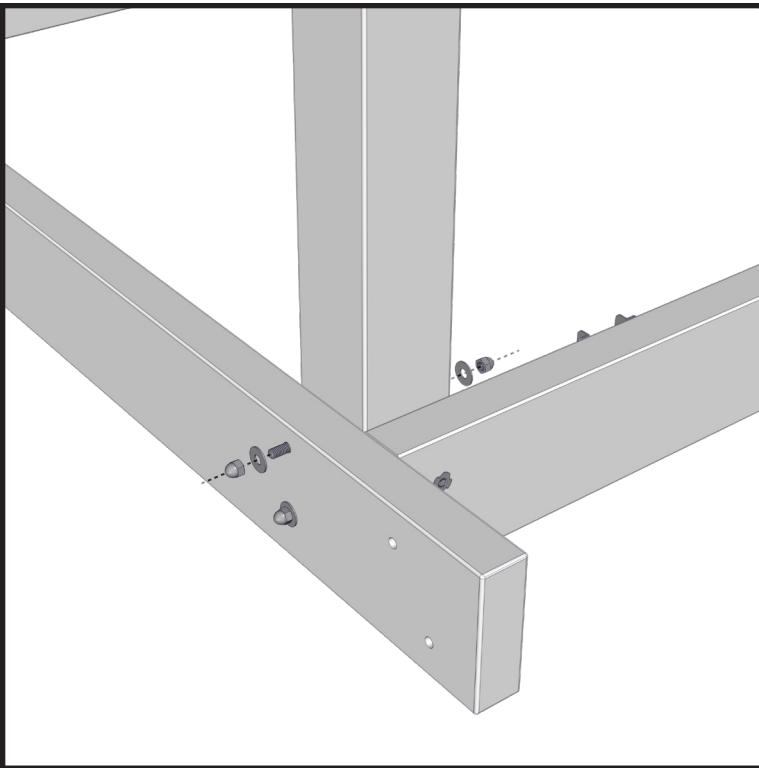
Insert eight 6 1/8" threaded rods (6B) into the 54" 4x4's.

Turn them in by hand until you feel the threads engage with the T-Nut. (6M)

**Step 4.**

Fasten the 4x4 posts in place with washers and acorn nuts over the threaded rods. (6L) (6K)

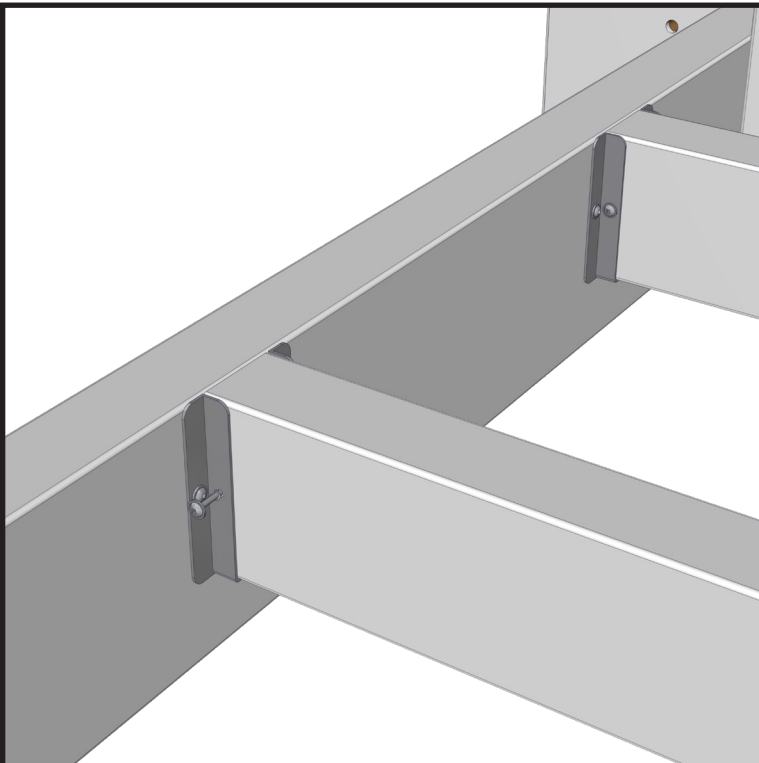
Only hand tighten these at this point.



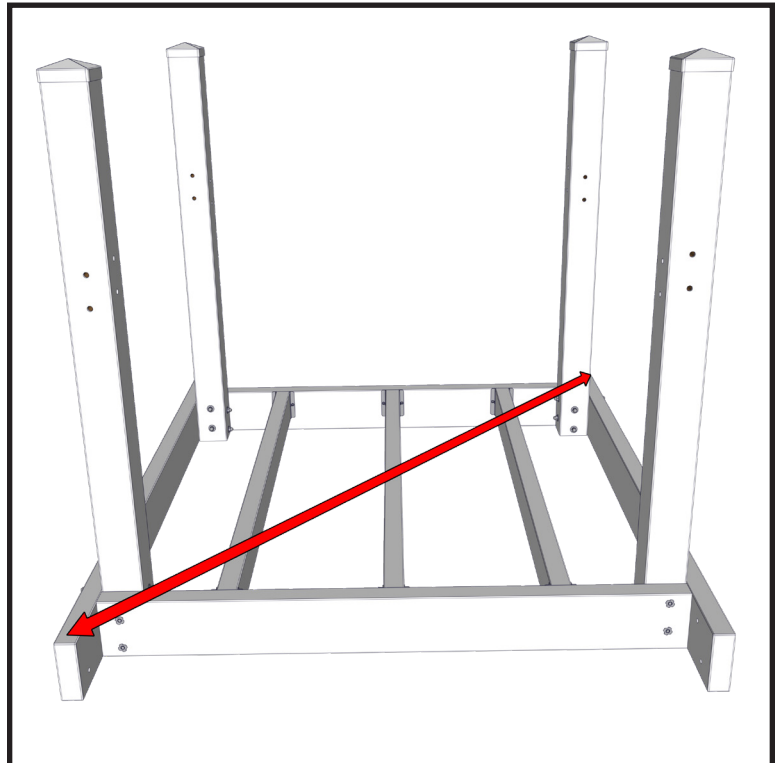
**Step 5.**  
Fasten the posts to the side 2x6's using 6 7/8" threaded rods (6A), washers and acorn nuts.  
At this point you can go around and tighten all the nuts.



**Step 6.**  
Install three 56" 2x4 floor joists (1G) in the joist hangers.



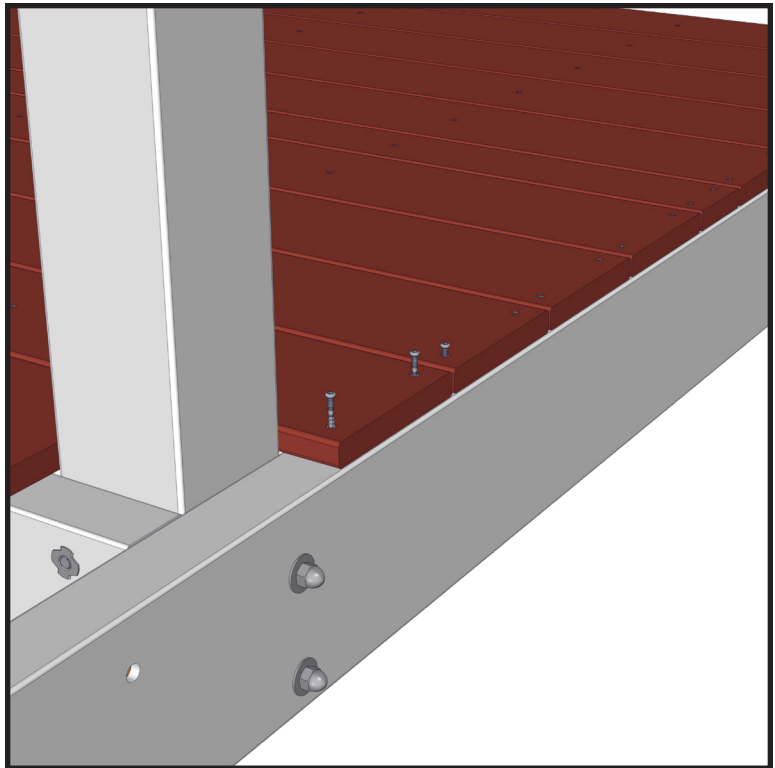
**Step 7.**  
Fasten the floor joists through the joist hangers using 1 3/4" washer head screws. (6I)



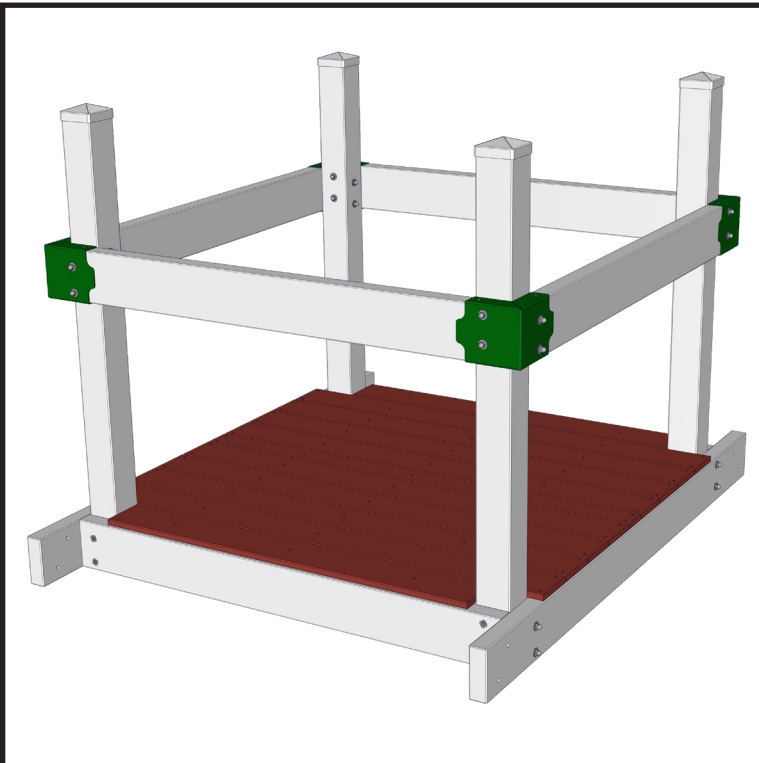
**Step 8.**  
Before you install the floor measure across the corners to square the frame.



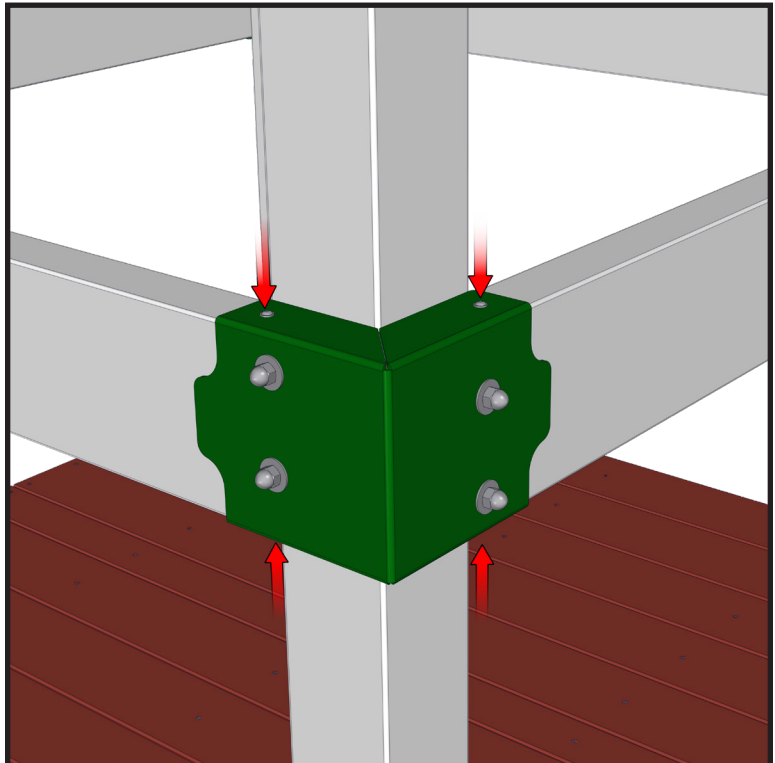
**Step 9.**  
Lay the floorboards (1H) into position.  
Notice the narrow one in the center and the two short ones on either side.



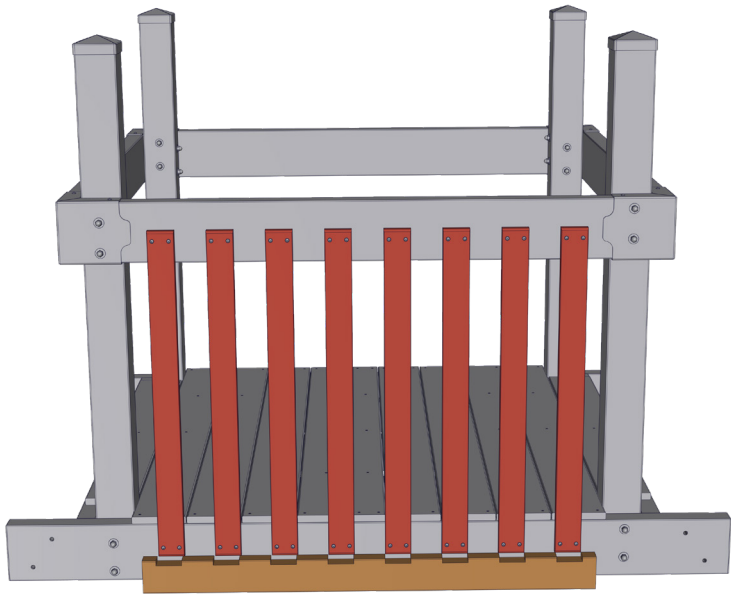
**Step 10.**  
Center the floorboards and fasten them with 1 1/2" vinyl screws.  
(6J)



**Step 11.**  
After the floor is finished assemble the railing section using  
56" 2x6's, 2x6 corner brackets (1J) and 6 7/8" threaded rods with  
washers and acorn nuts.

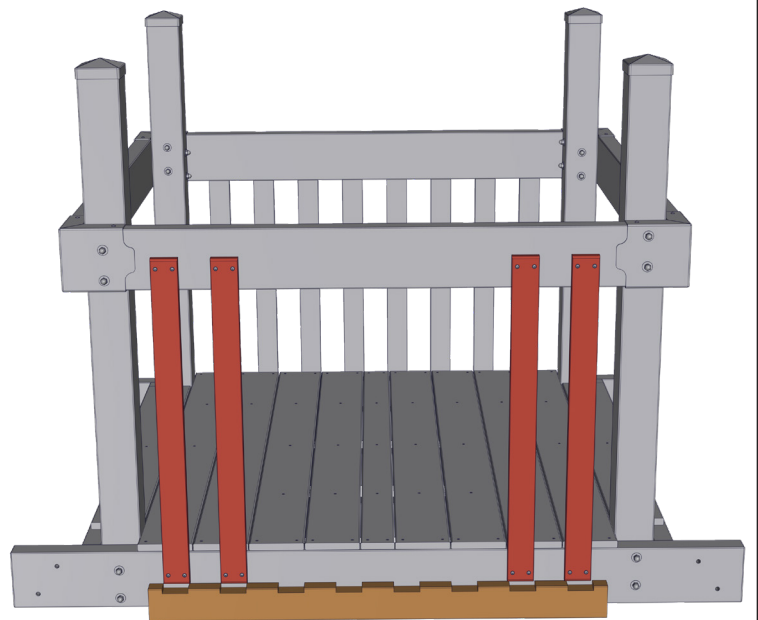


**Step 12.**  
Fasten the top and bottom of each 2x6 corner bracket with 1 3/4"  
washer head screws.



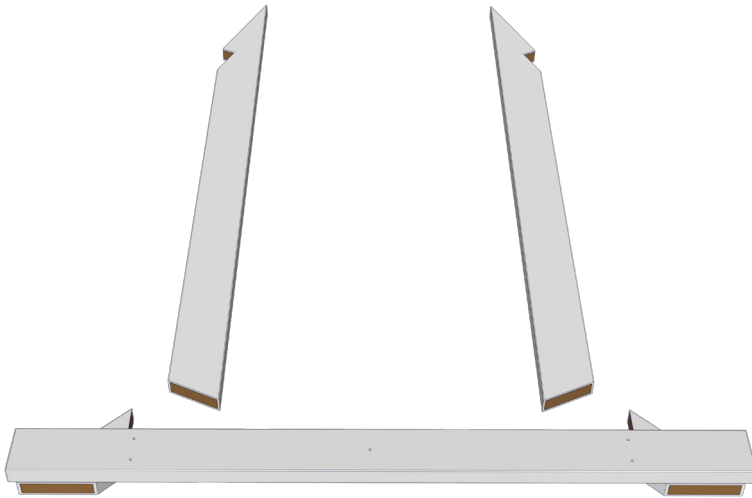
### Step 13.

The next step is to fasten the poly slats (1I) to the 2x6's to complete the railings. Use the included template to align the slats then fasten them with 1 3/4" washer head screws.



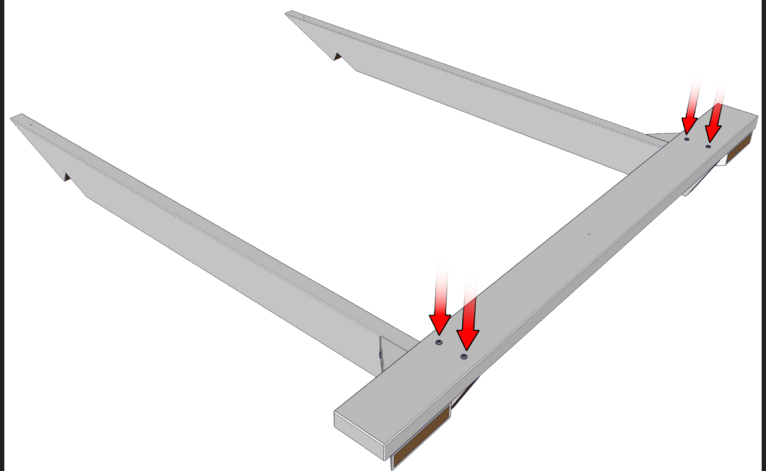
### Step 14.

The side with a slide gets two slats on each side.



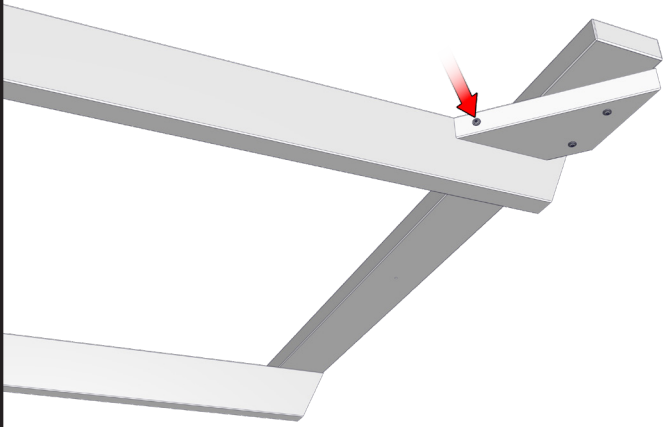
### Step 15.

Prepare to assemble the legs by locating these pieces. There are two 81 1/4" 2x6's (1D) for the sides and one 79 1/2" 2x6 (1E) for the bottom. The bottom 2x6 will have two 15 1/2" 2x6 braces already attached.



### Step 16.

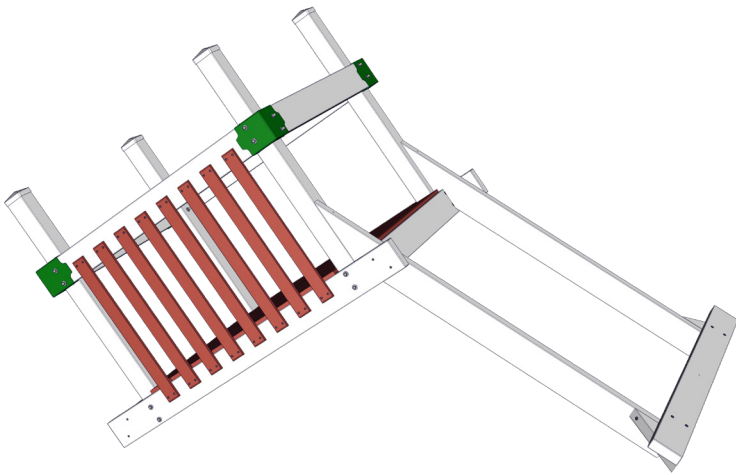
Set the side 2x6's upright and set the bottom 2x6 on top. Keep the bottom 2x6 even with the long point on the side 2x6's. Fasten them together with four 3 1/2" star head lags (6F) in the predrilled holes.



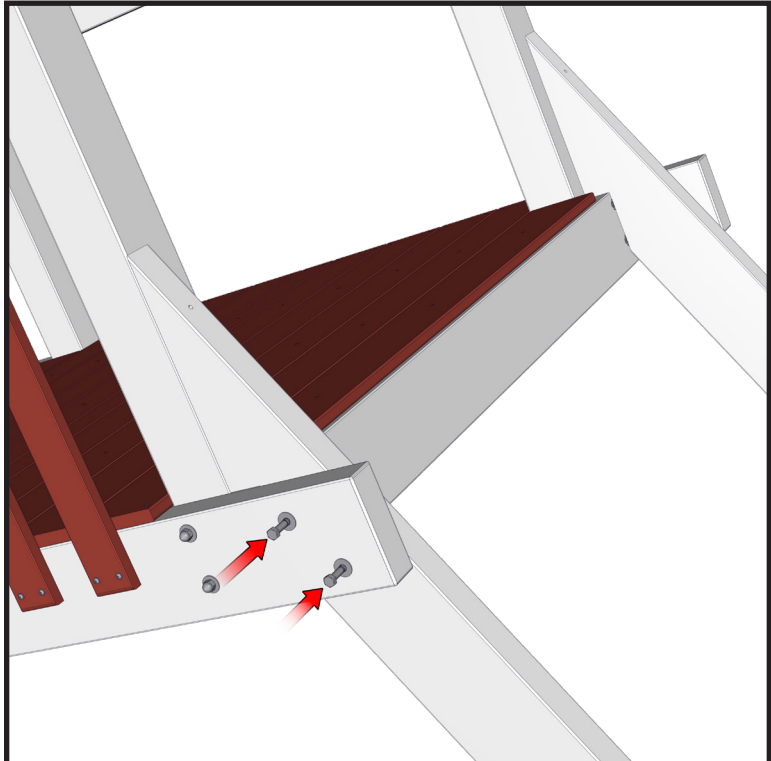
**Step 17.**  
Fasten the 2x6 brace to the side 2x6 using the same lags.



**Step 18.**  
Repeat steps 15-17 to assemble the opposite leg.

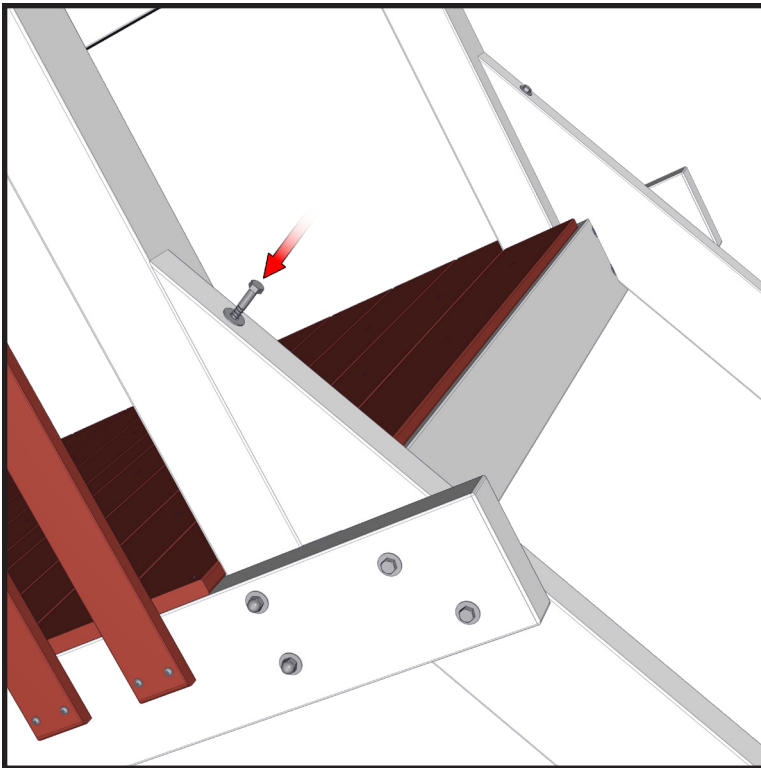


**Step 19.**  
Lift one side of the tower up and place one of the legs into place.



**Step 20.**  
Fasten the legs using four 4" hex head lags with 3/8" washers. (6E) (6L)

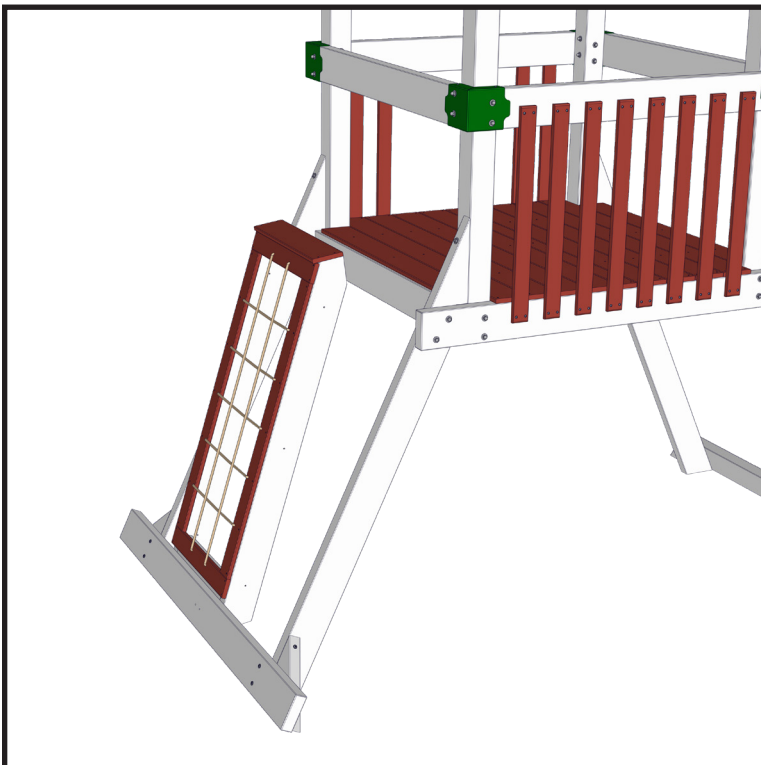




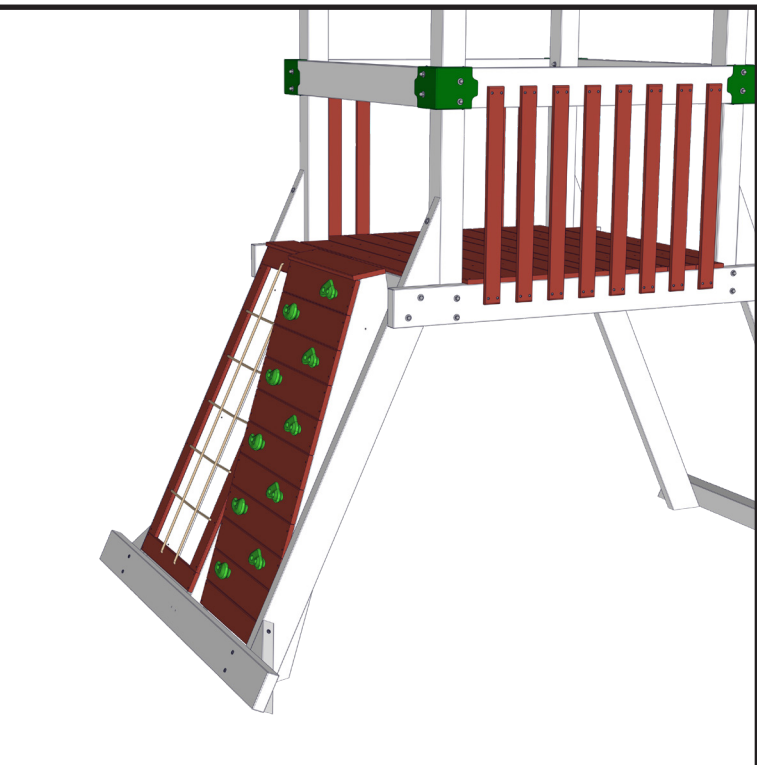
**Step 21.**  
 Use a 4" hex head lag in the predrilled hole on the end of the 2x6 leg to finish fastening them.  
 You may have to predrill the 4x4 with a 1/4" bit to get it started.



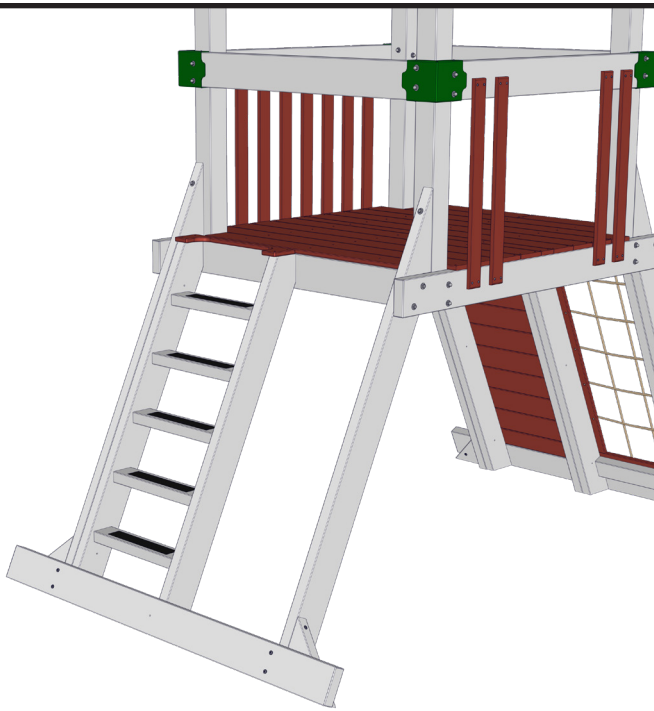
**Step 22.**  
 Repeat steps 19-21 to finish the legs.



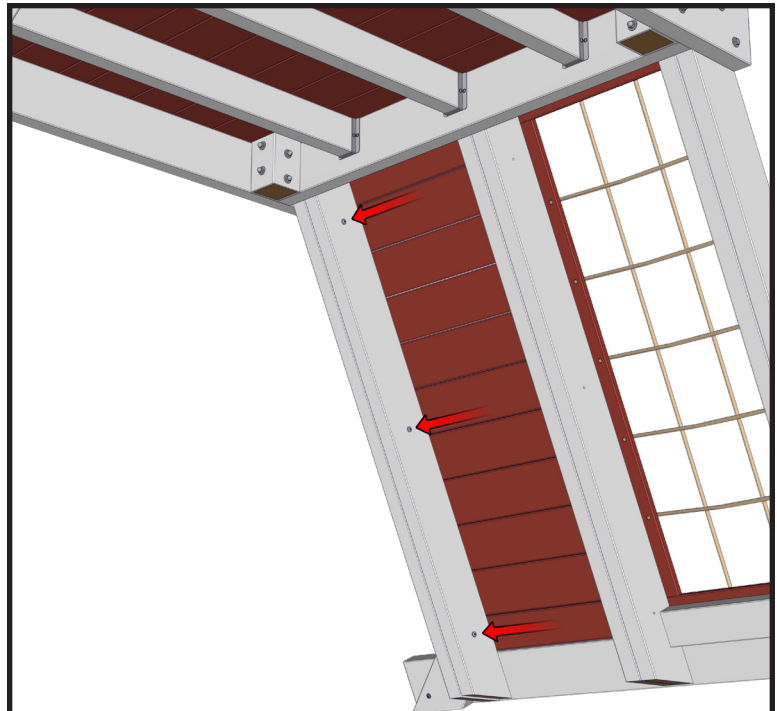
**Step 23.**  
 Locate the cargo net, rock wall and ladder panels and prepare to install them. (4C) (4D) (4A)  
 These are all interchangeable with each other and can be arranged however you like.  
 There will be a empty spot next to one of the panels for the slide.



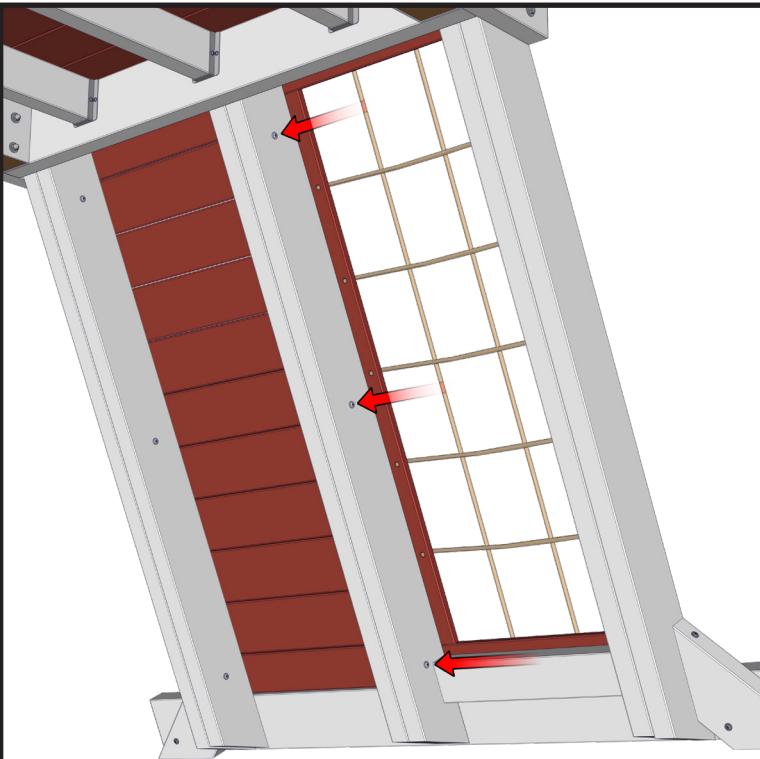
**Step 24.**  
 Rock wall panel. (4D)



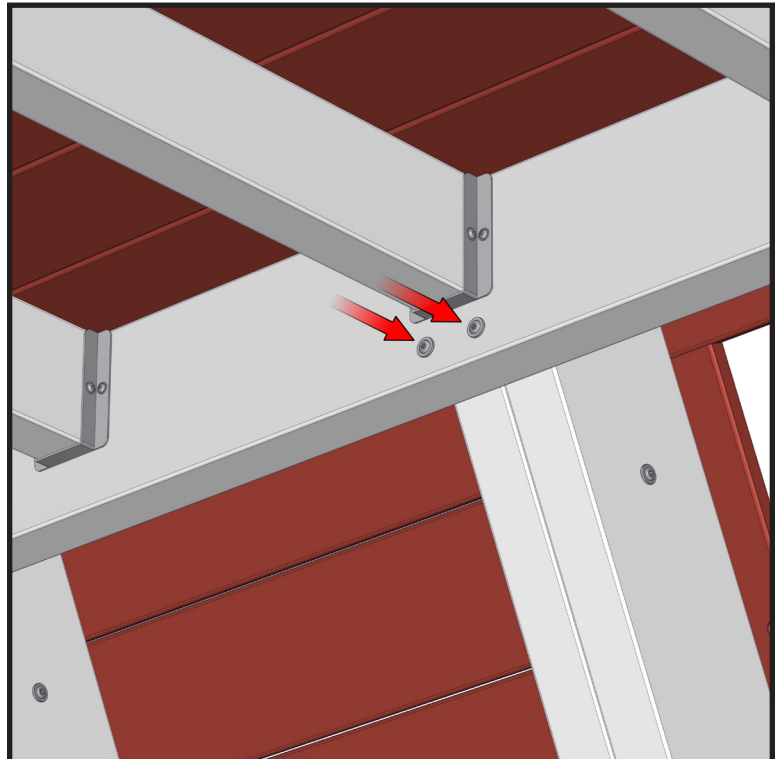
**Step 25.**  
Ladder panel. (4A)



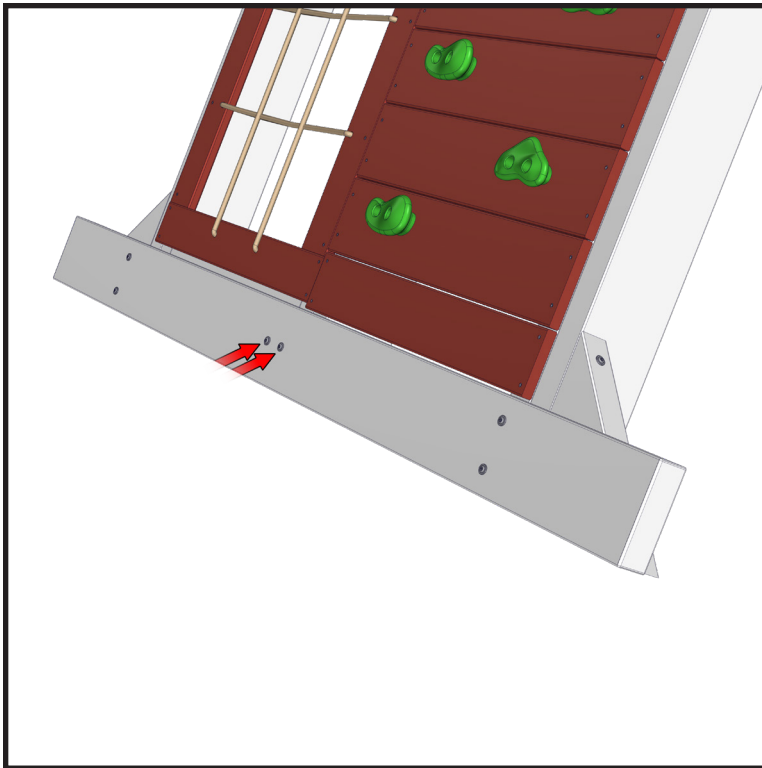
**Step 26.**  
Fasten all the panels to the tower using 3 1/2" star head lags through the side 2x6's into the tower legs.



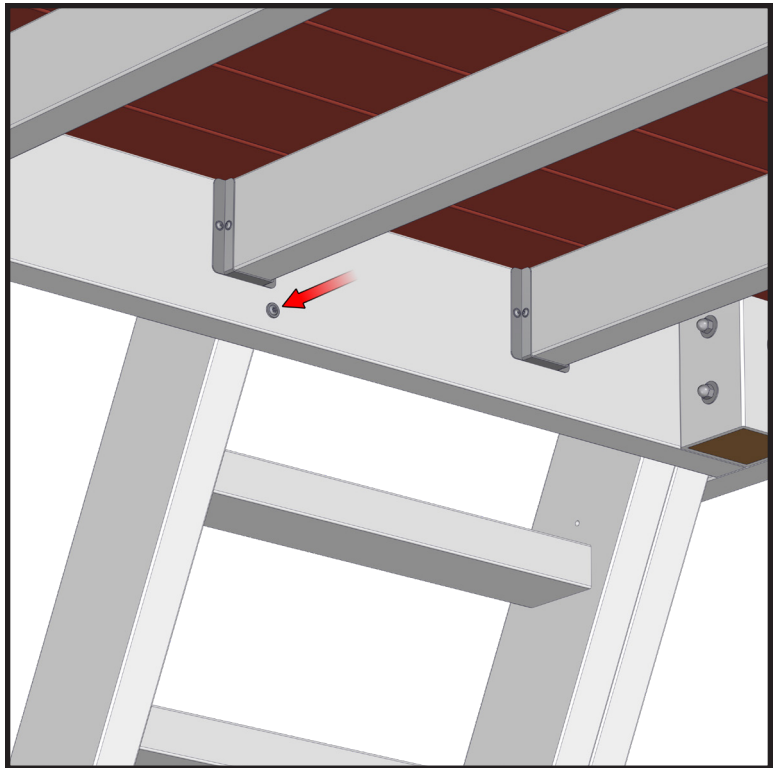
**Step 27.**  
Also fasten the two panels together using the same lags through the two center 2x6's.



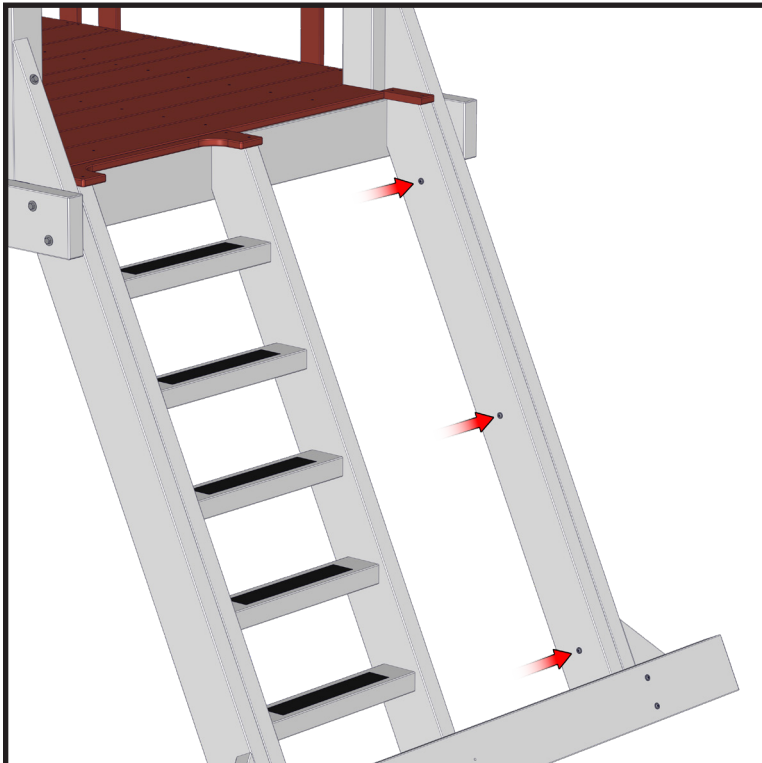
**Step 28.**  
Fasten the top of the panels to the tower using 3 1/2" star head lags through the 56" 2x6.



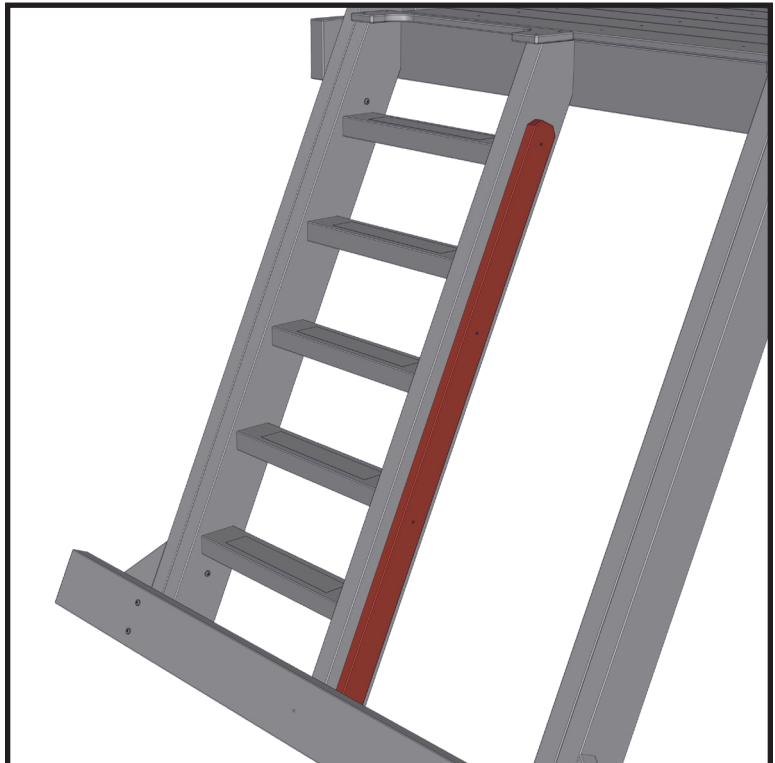
**Step 29.**  
Fasten the bottom of the panels using the 3 ½" star head lags through the 79 ½" 2x6's.



**Step 30.**  
Follow steps 26, 28 and 29 to fasten the ladder panel.



**Step 31.**  
Locate the 66 ¼" 2x6 with the floorboard attached. This is to fill the empty spot where the slide will go later. Attach it to the tower leg using three 3 ½" star head lags.



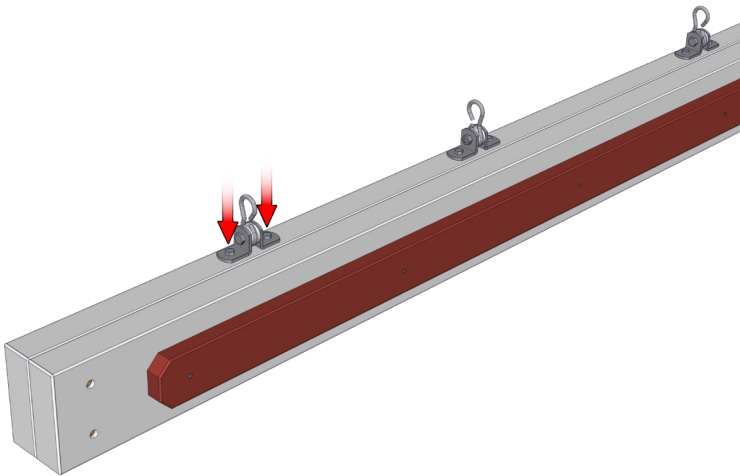
**Step 32.**  
The ladder comes with a poly trim piece for the side. Center it on the 2x6 and fasten it with 1 ½" vinyl screws.

## Swing Frame Assembly



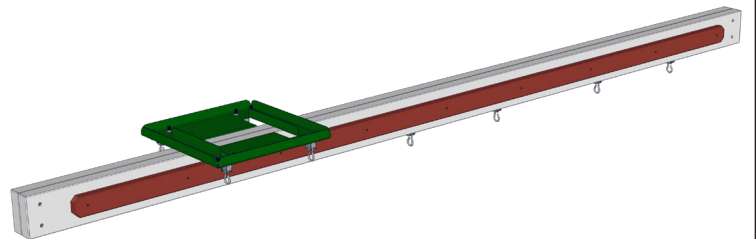
### Step 1.

Start the swing frame assembly with the 2x6 swing beam. (3A)  
Lay the swing beam on the ground with the pre-drilled holes facing up.



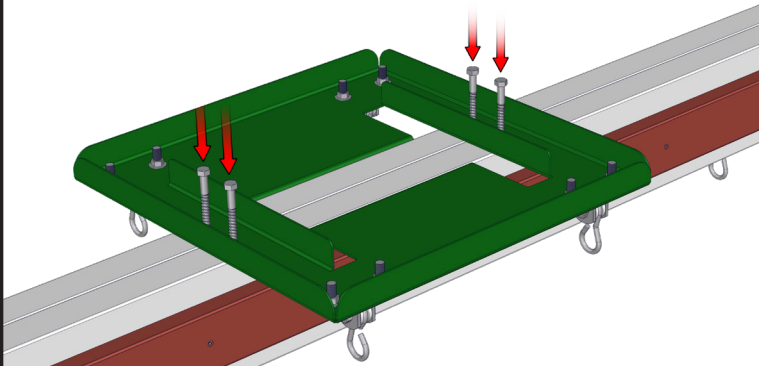
### Step 2.

Fasten the swing bearings (3H) to the swing beam using the lags provided with the bearings.

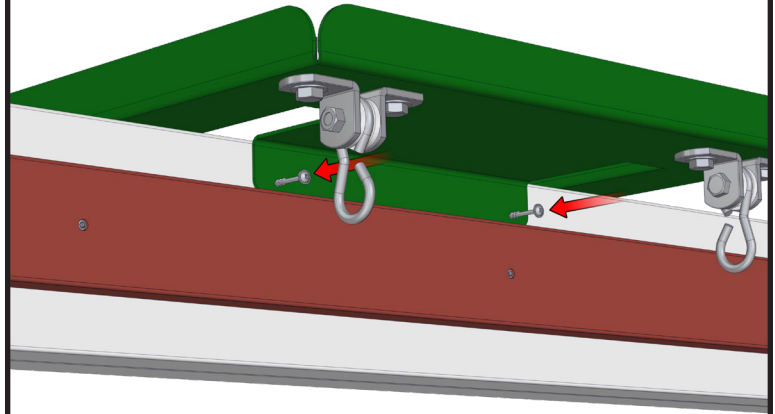


### Step 3.

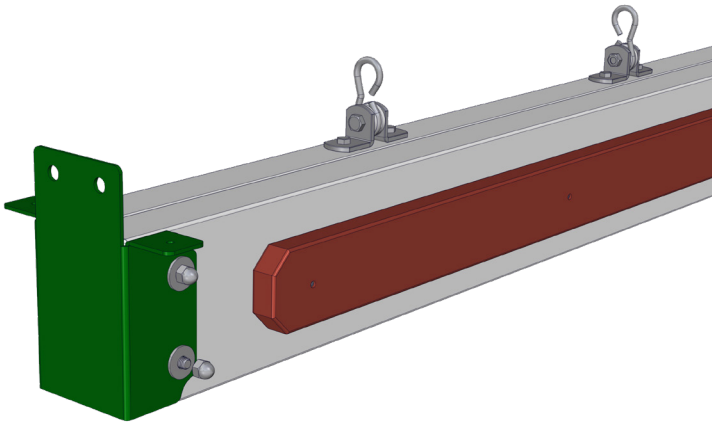
Place the glider bracket (4M) in position.



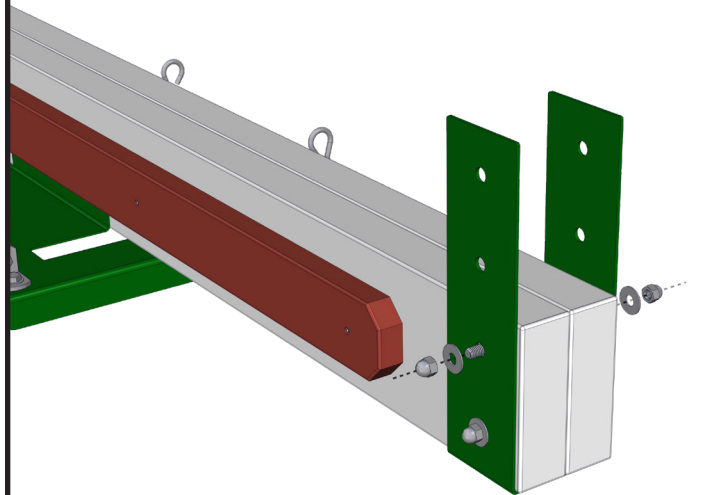
**Step 4.**  
Pre-drill four ¼" holes then attach the bracket using the included lags.



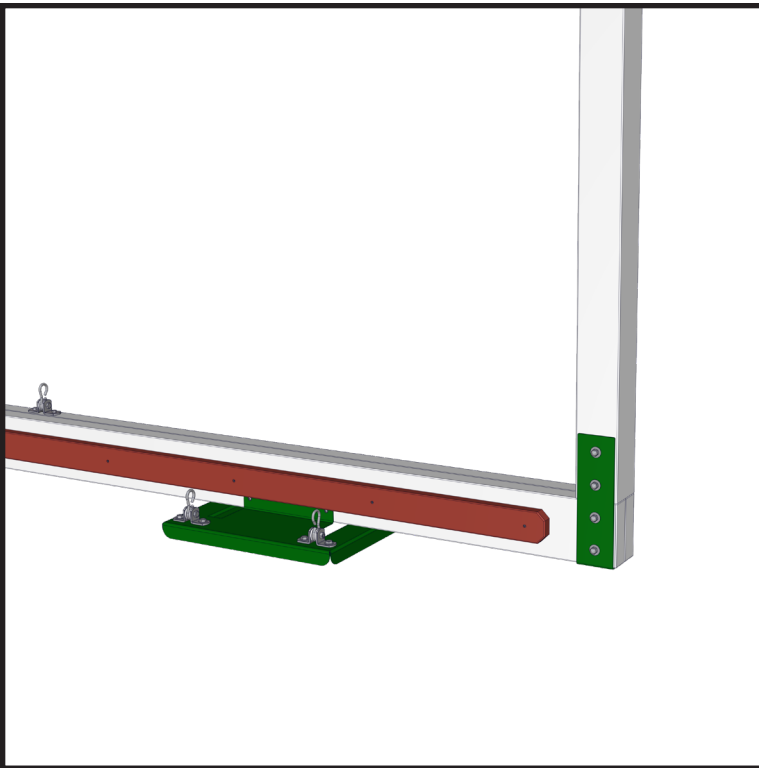
**Step 5.**  
Fasten the side tabs of the bracket using 1 ¾" washer head screws.



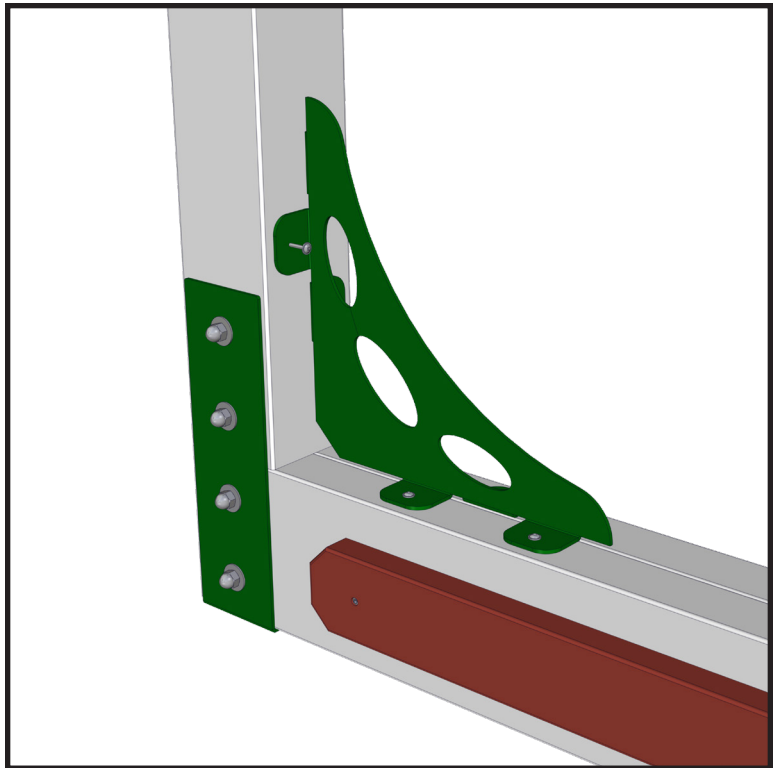
**Step 6.**  
Attach the swing beam bracket (3G) to the end of the beam without the end caps.  
Use two 4 7/8" threaded rods (6C) with washers and acorn nuts to fasten the bracket.



**Step 7.**  
Install the beam strap (3E) on the other end of the beam using the same 4 7/8" threaded rods.  
Only finger tighten the nuts at this point.



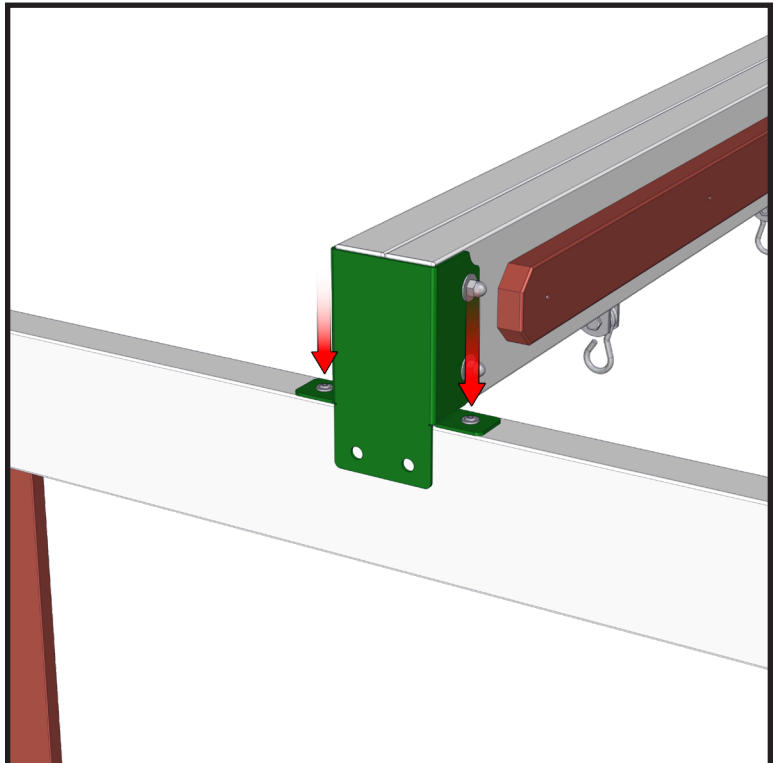
**Step 8.**  
Find the 4x4 end post (3B) and install it in the beam strap. Make sure the post is square with the swing beam then tighten all the nuts.



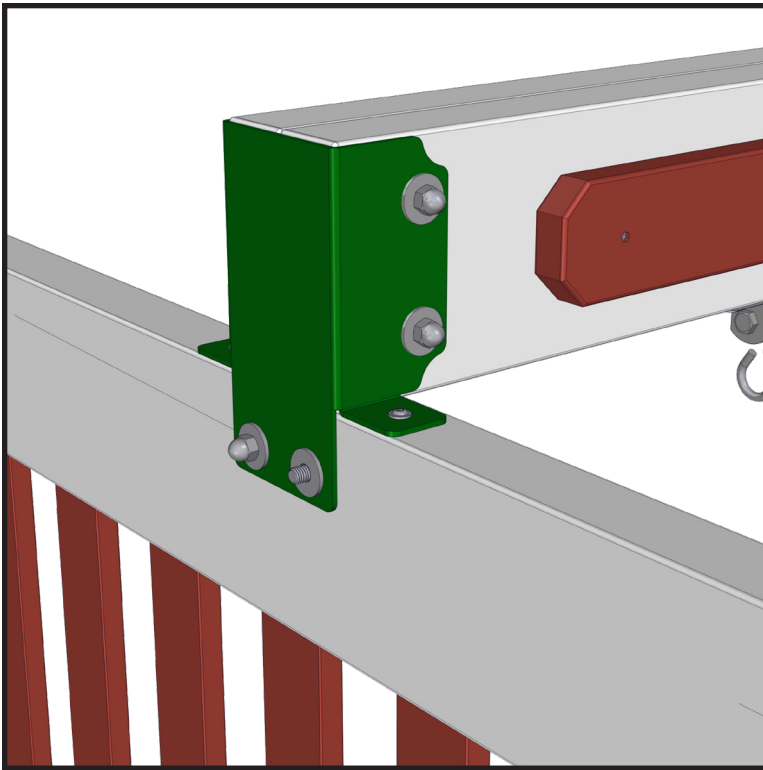
**Step 9.**  
Attach the corner bracket (3F) to the swing beam and end post. Fasten it with 1 3/4" washer head screws.



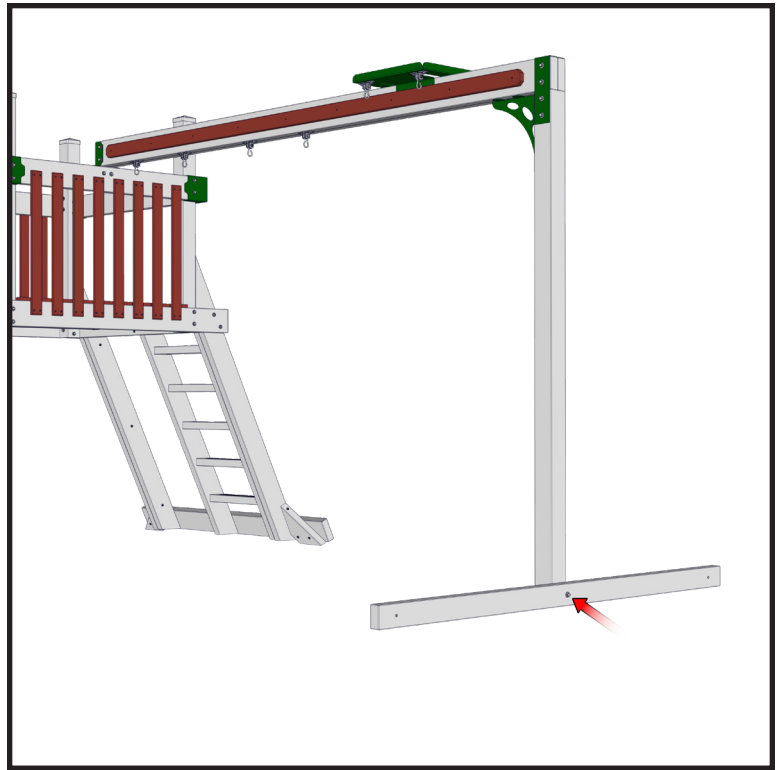
**Step 10.**  
Lift the swing beam up into place on the tower.



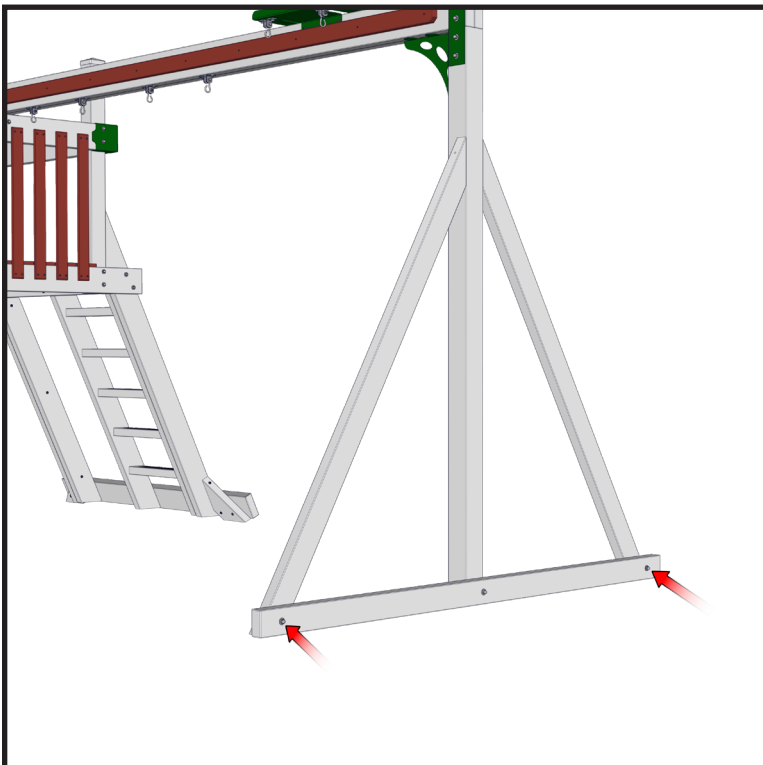
**Step 11.**  
Fasten the bracket to the 2x6 using 3" star head lags (6G) after placing it in position.



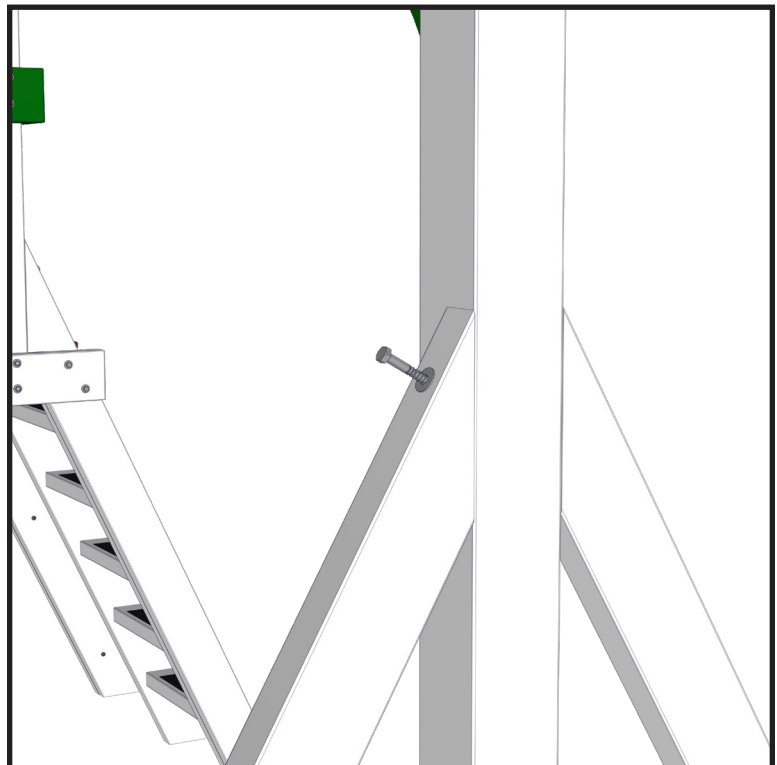
**Step 12.**  
Next pre-drill two  $\frac{7}{16}$ " holes through the 2x6 then fasten the bracket with two  $2\frac{3}{4}$ " threaded rods. (6D)



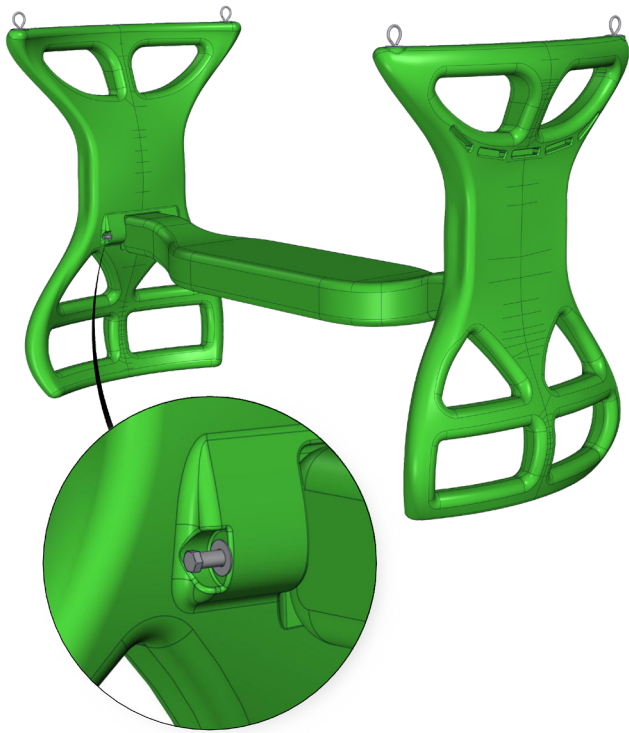
**Step 13.**  
Find the ground runner 2x4 (3C) and fasten it to the end post using a  $6\frac{7}{8}$ " threaded rod, nut and washer.



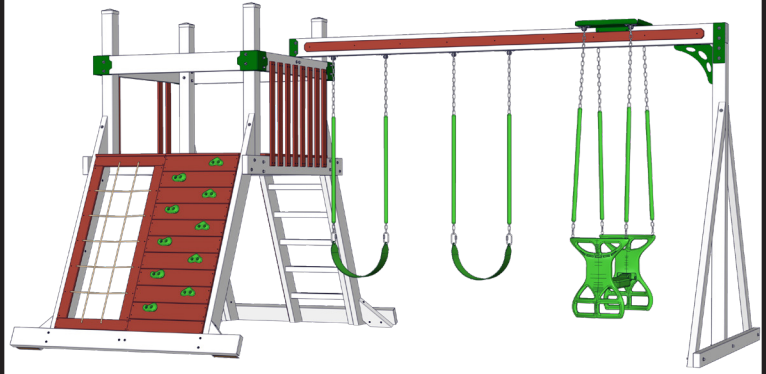
**Step 14.**  
Place the 2x4 end braces (3D) in place and fasten the bottom ends to the ground 2x4.  
Use two  $4\frac{1}{8}$ " threaded rods to fasten them.



**Step 15.**  
Fasten the top ends of the braces to the end post using 4" hex head lags.  
Pre-drill the holes first using a  $\frac{1}{4}$ " drill bit.

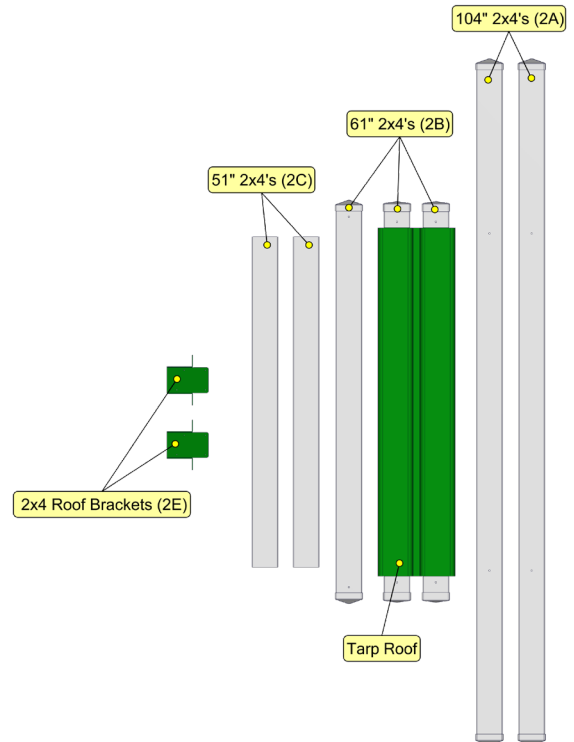


**Step 16.**  
Assemble the glider pieces using the included hardware and assembly manual.



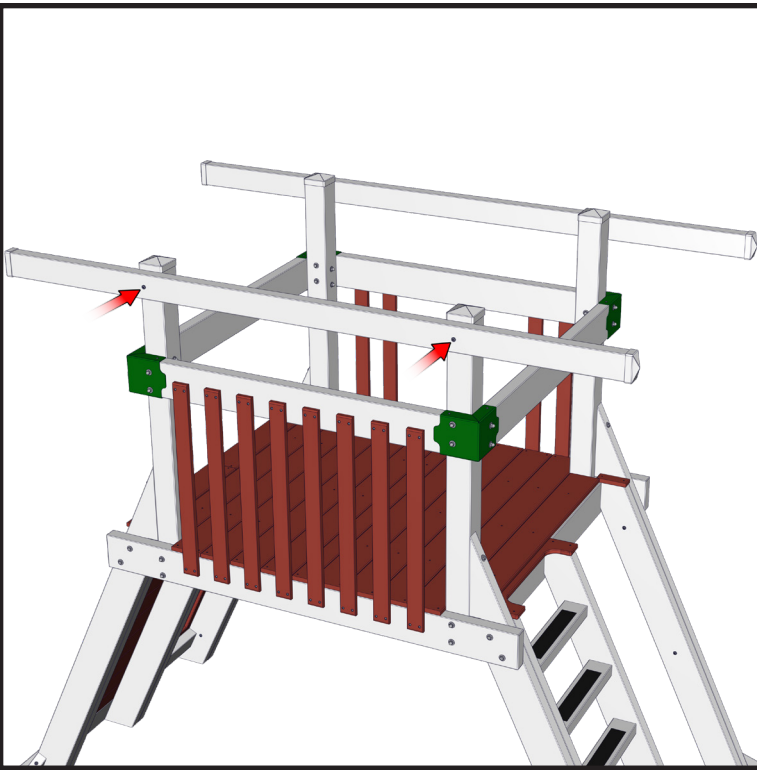
**Step 17.**  
Install the swings to finish the swing frame assembly.

## Tarp Roof Assembly



**Step 1.**  
To begin the roof assembly find and identify these parts.



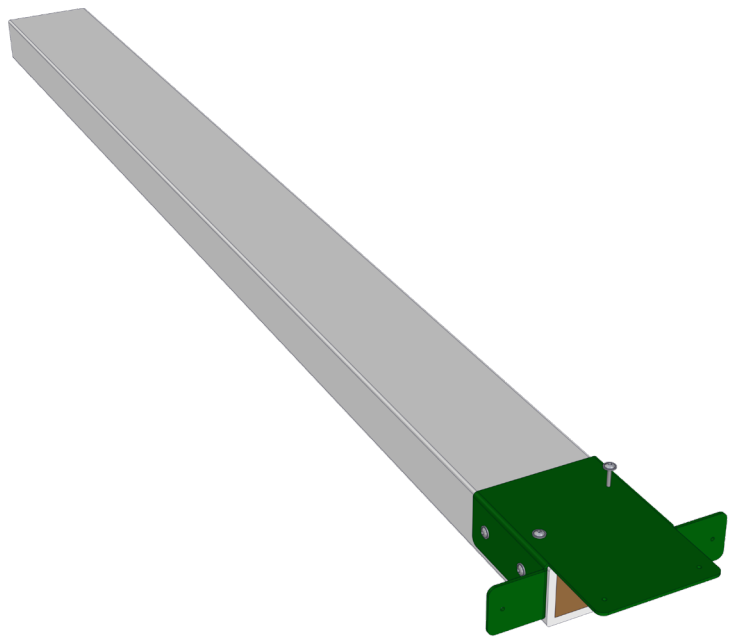


#### Step 2.

Fasten the 104" 2x4's (2A) to the 4x4 posts using 3" star head lags.

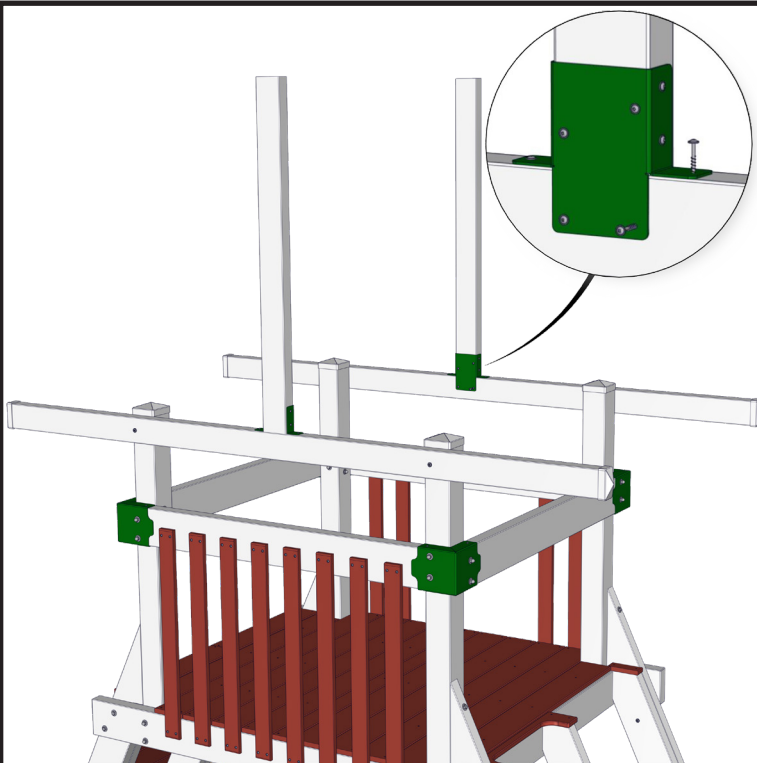
The pre-drilled holes should be centered on the 4x4 posts.

These 2x4's are pre-drilled through the front and top, make sure the top holes are facing up.



#### Step 3.

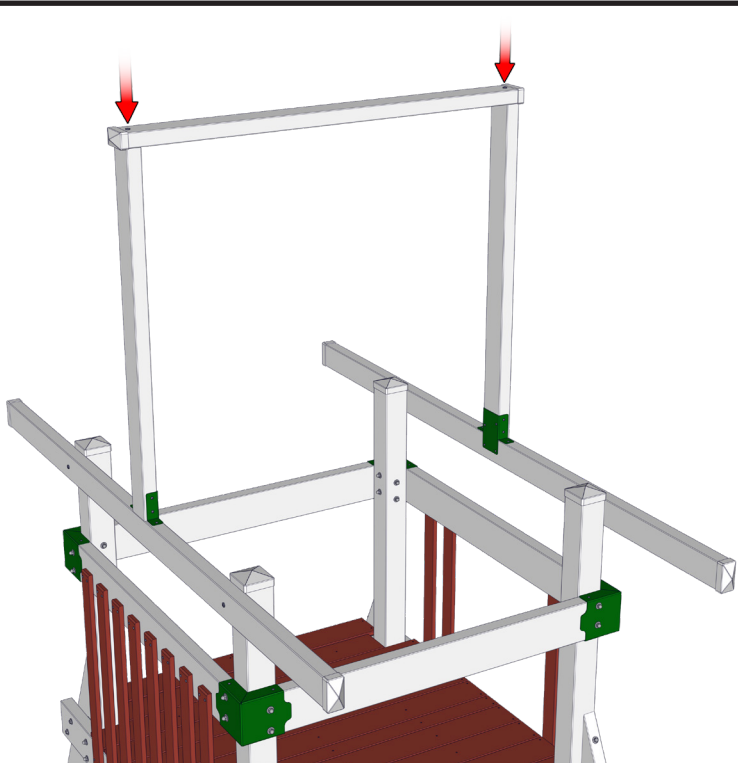
Next fasten the roof 2x4 brackets (2E) to the 51" 2x4's. (2C)  
Use six 1 3/4" washer head screws per bracket.



#### Step 4.

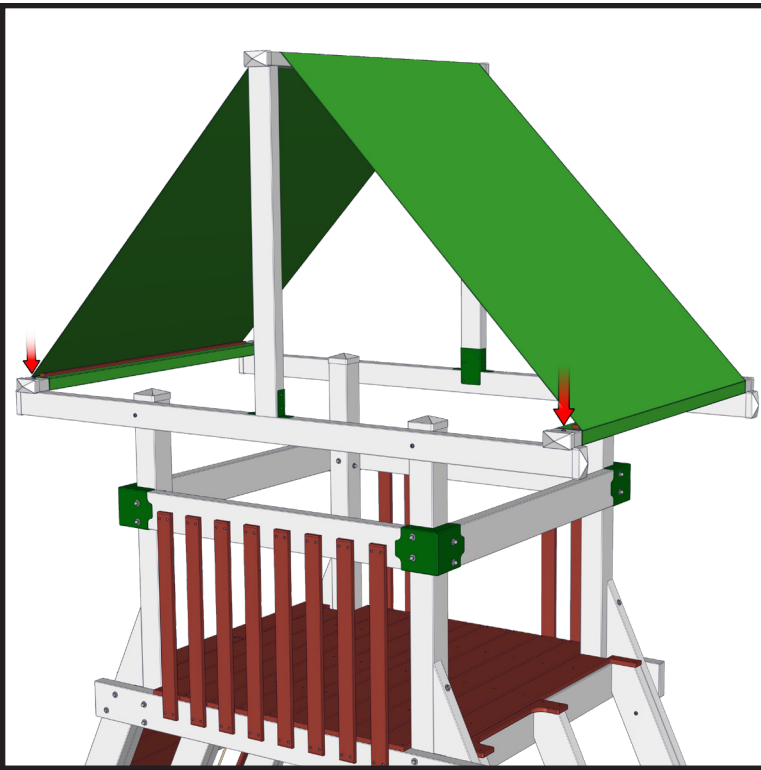
Place the 2x4's with the brackets in the center of the 104" 2x4's with the brackets facing in.

Use 1 3/4" washer head screws to fasten the brackets.



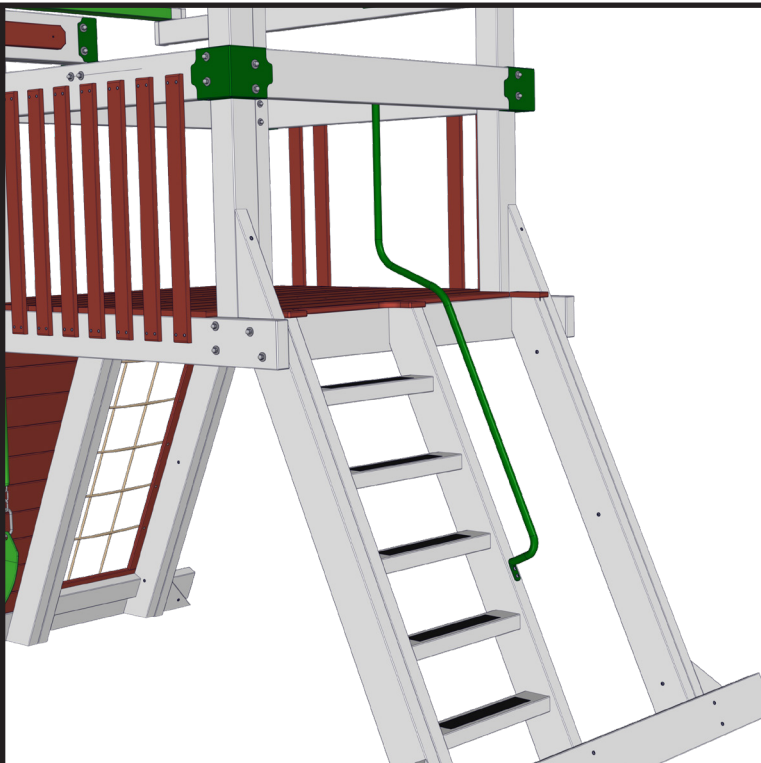
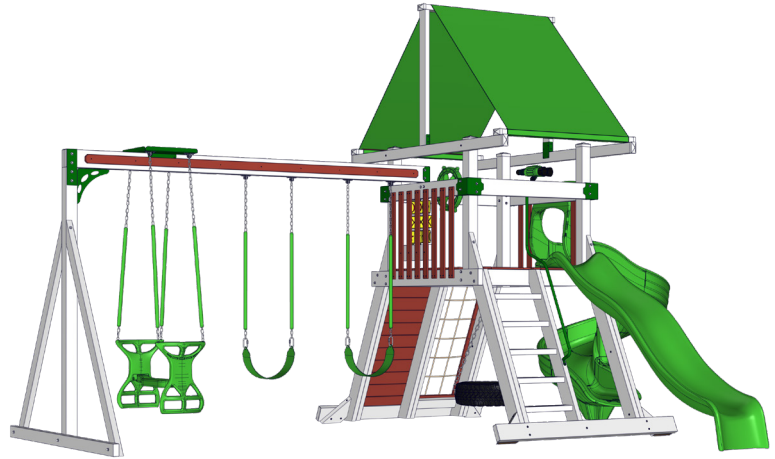
#### Step 5.

Place the 61" 2x4 (2B) on top of 51" 2x4's and fasten it with 3" star head lags.



**Step 6.**  
Place the 2x4's with the tarp roof (2D) in place as shown. Fasten one 2x4 first then pull the tarp tight and fasten the other. Use 3" star head lags in the pre-drilled holes to fasten them.

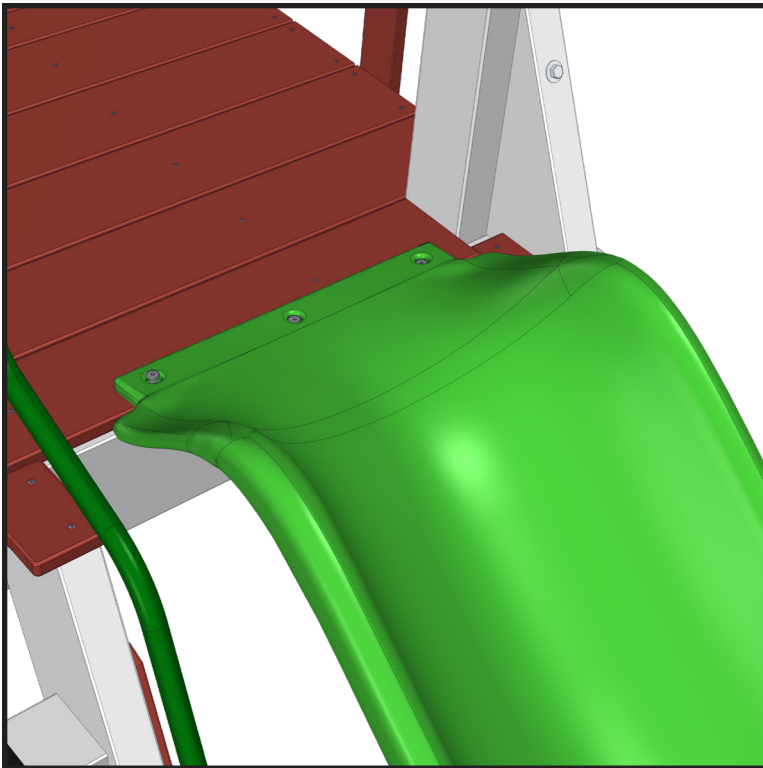
## Accessories



**Ladder Handrail (4B)**  
Place the ladder handrail in position on the ladder then fasten it with 1 1/2" wafer head lags. (6H)

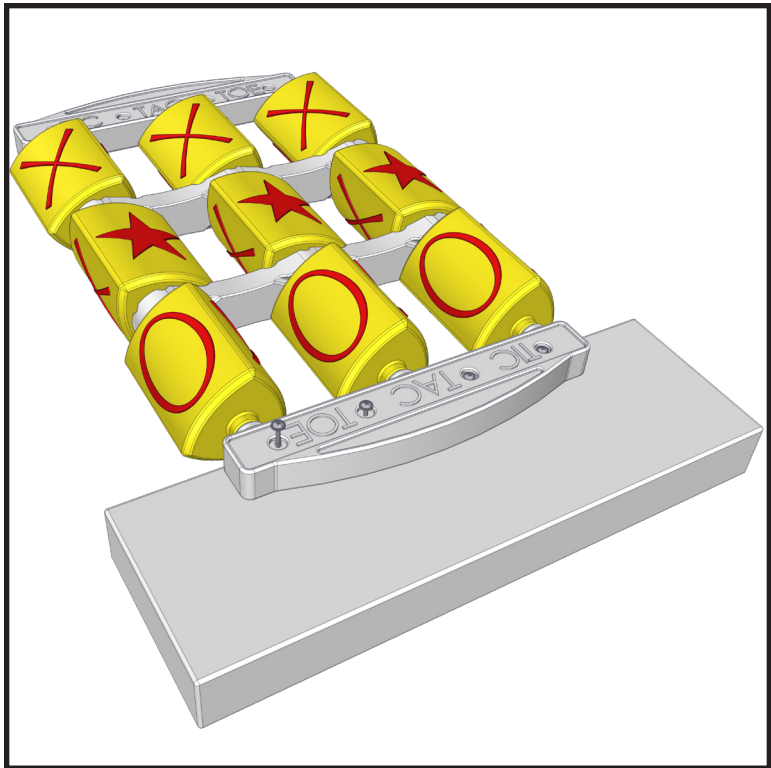


**Wonder Wave Slide (4E)**  
Locate the wonder wave slide and place it in position.



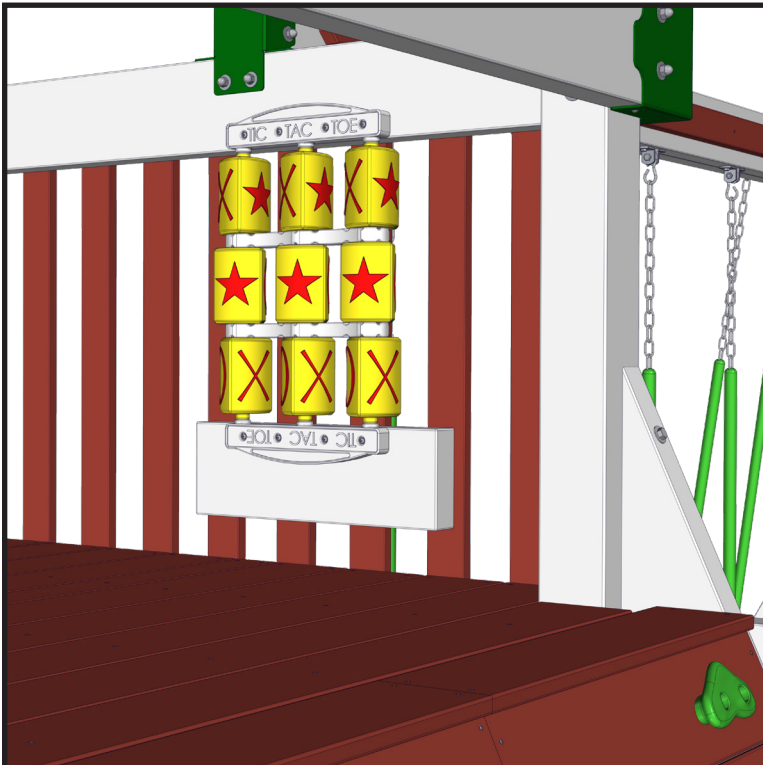
#### Wonder Wave Slide (4E)

Fasten the slide with three 1 ½" wafer head lags.  
Make sure the lags go into the 2x6 below and not just the floorboards.



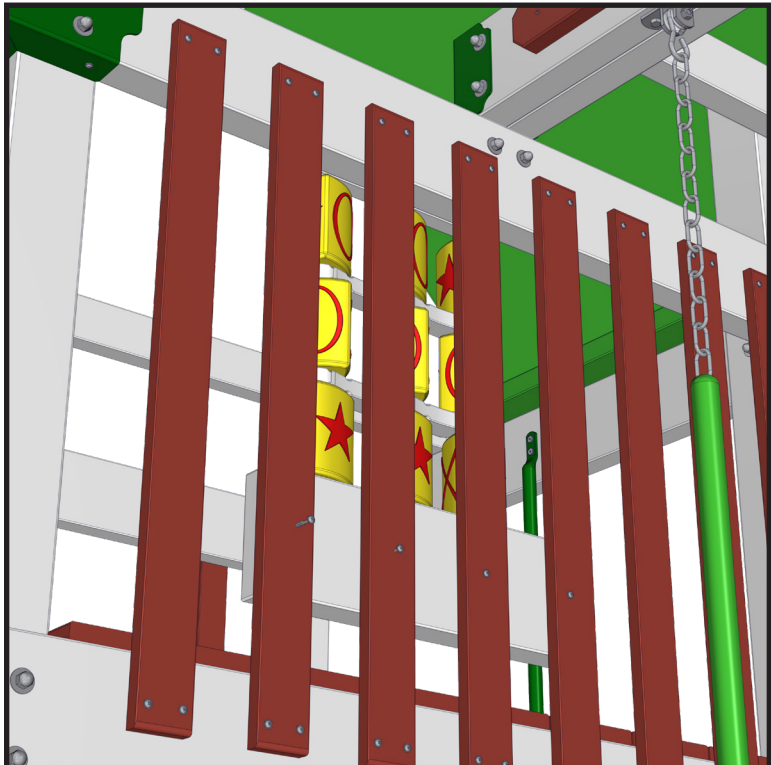
#### Tic Tac Toe Panel (4G)

The tic tac toe panel comes with a 18 ½" 2x6.  
Fasten one end of the panel to the 2x6 using four 1 ¾" washer head screws.



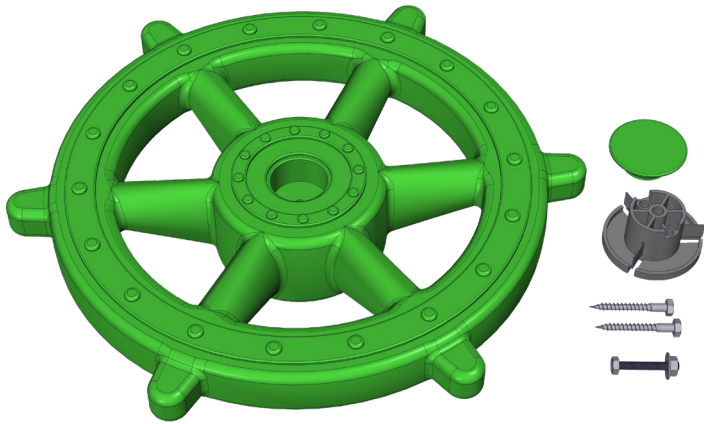
#### Tic Tac Toe Panel (4G)

Place the panel at your desired location in the tower then fasten the other end of the panel to the 2x6 railing.  
Use four 1 ¾" washer head screws to fasten it.



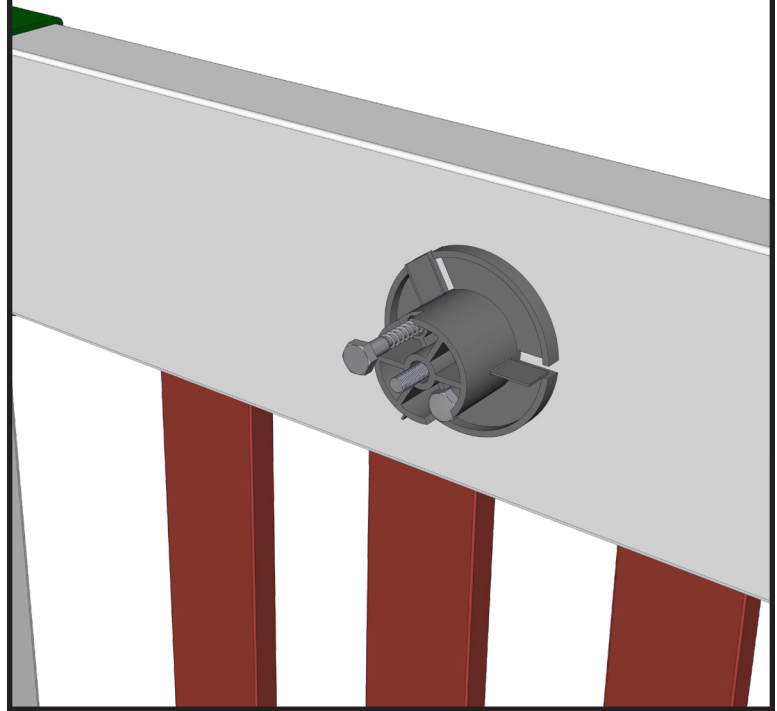
#### Tic Tac Toe Panel (4G)

Finish the tic tac toe panel by fastening the 2x6 to the poly slats using the same screws as the last step.



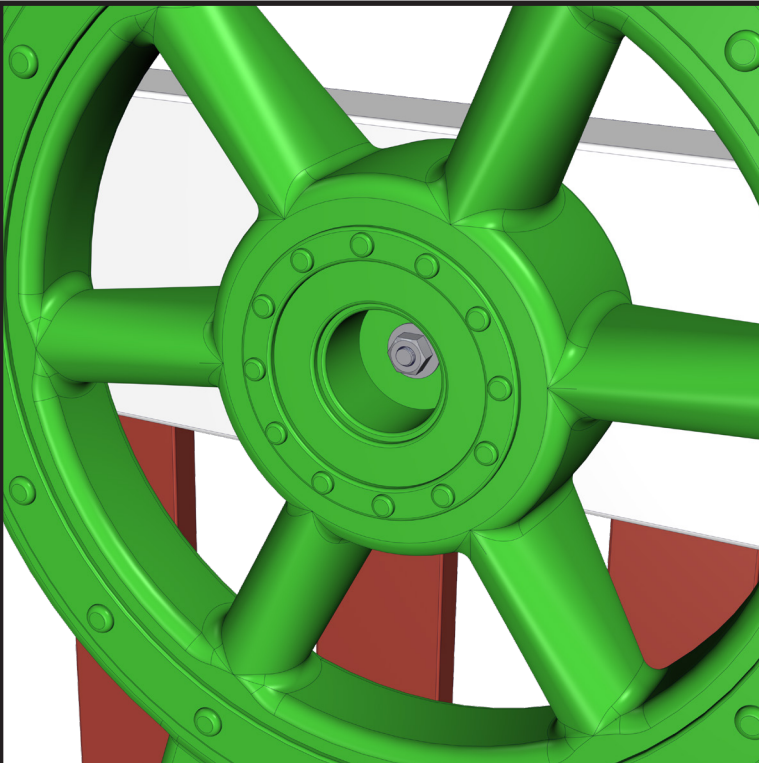
#### **Ships Wheel (4H)**

The ships wheel should come with a mounting base, a cover, two lags and a bolt.



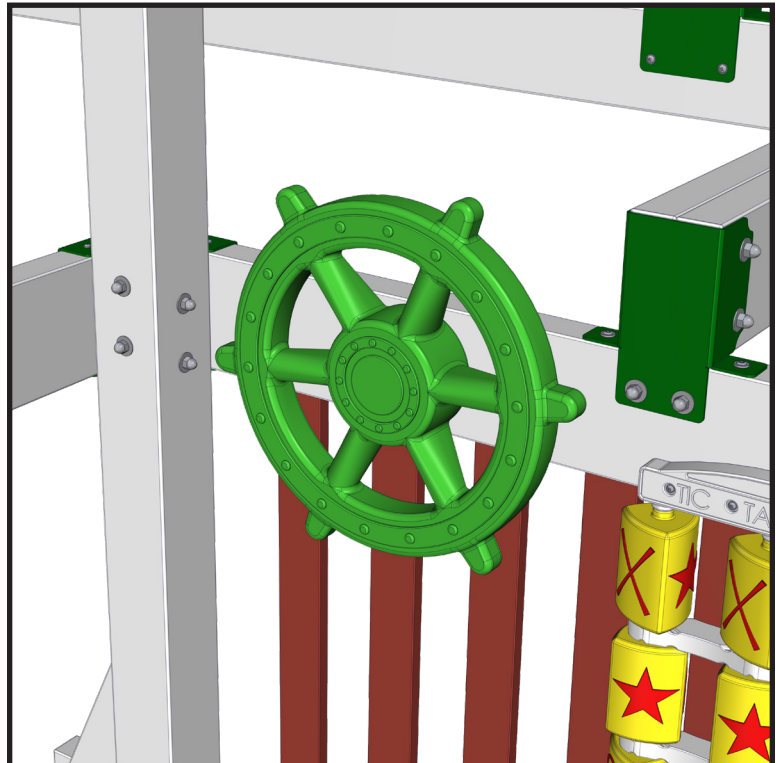
#### **Ships Wheel (4H)**

First insert the bolt into the base then fasten the base to the 2x6 railing using the two lags.



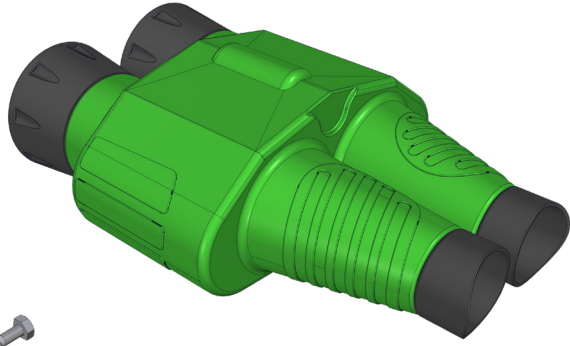
#### **Ships Wheel (4H)**

Place the ships wheel over the mounting base and fasten it with the included nut and washer.



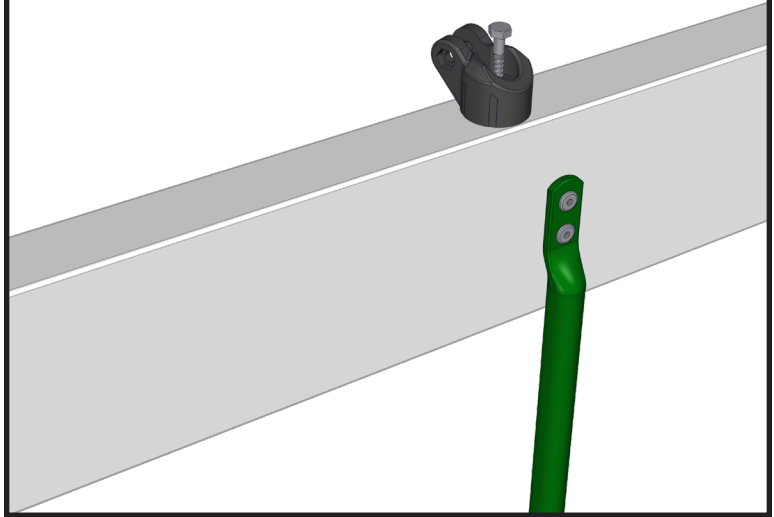
#### **Ships Wheel (4H)**

Install the cover to finish the ships wheel.



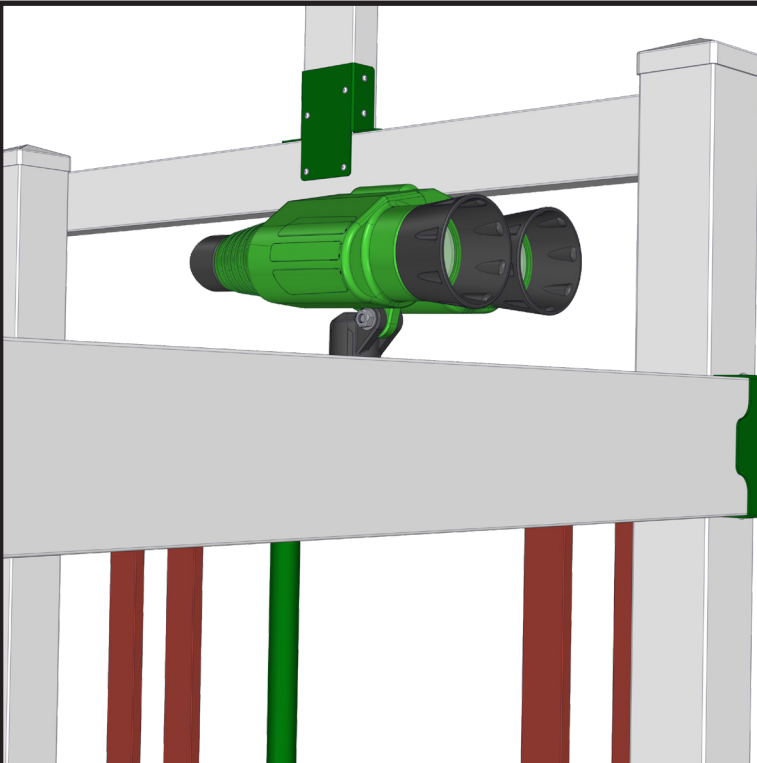
**Binoculars (4I)**

The binoculars should come with a mounting base, a bolt and a lag.



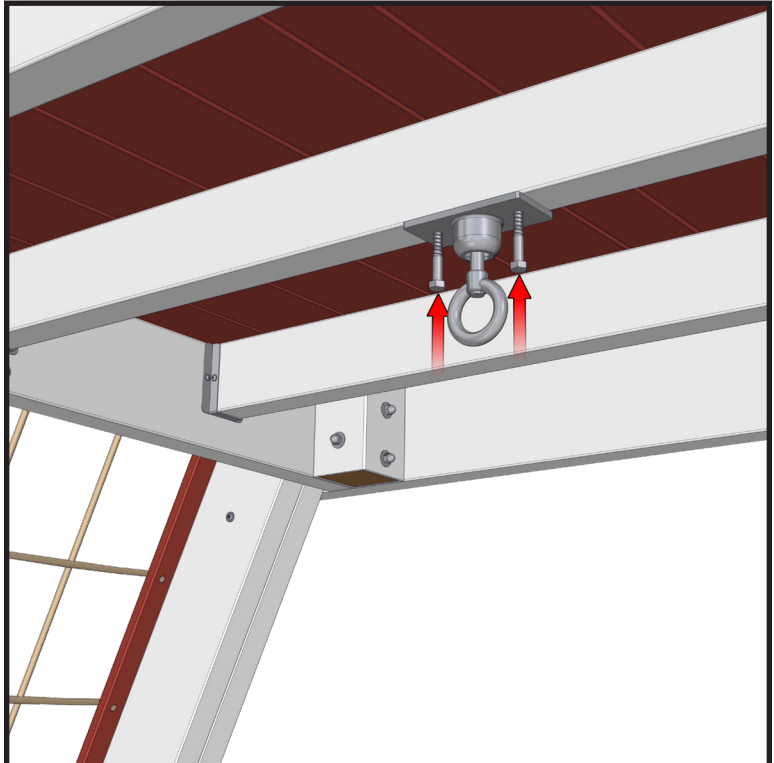
**Binoculars (4I)**

Use the lag to mount the binocular base to the 2x6 railing.



**Binoculars (4I)**

Attach the binoculars to the base using the bolt.



**Tire Swing (4J)**

The tire swing gets installed on the center 2x4 floor joist. Attach the mounting base using the included lags.



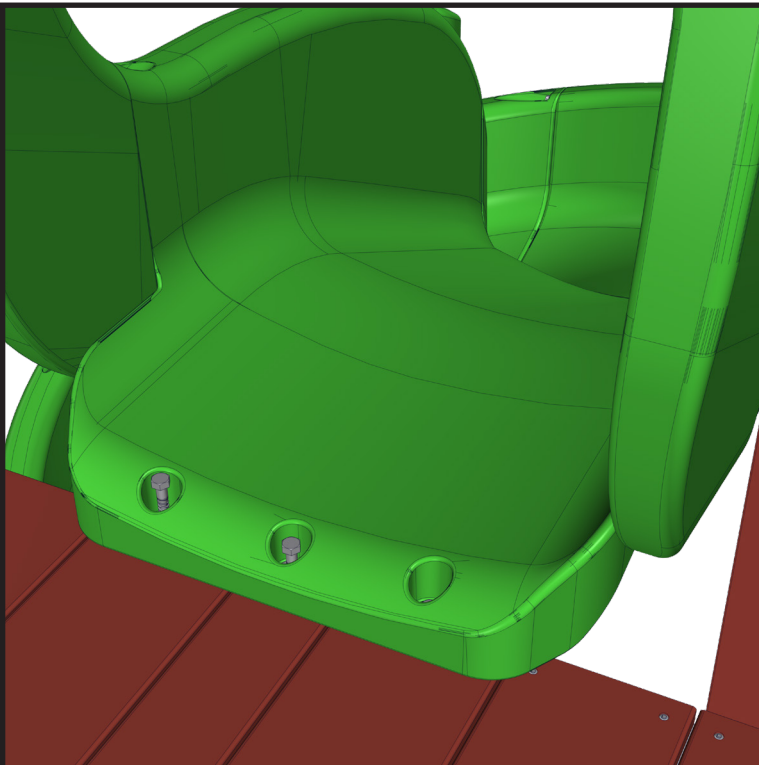
**Tire Swing (4J)**

Attach the chains to the mounting base to finish the tire swing.



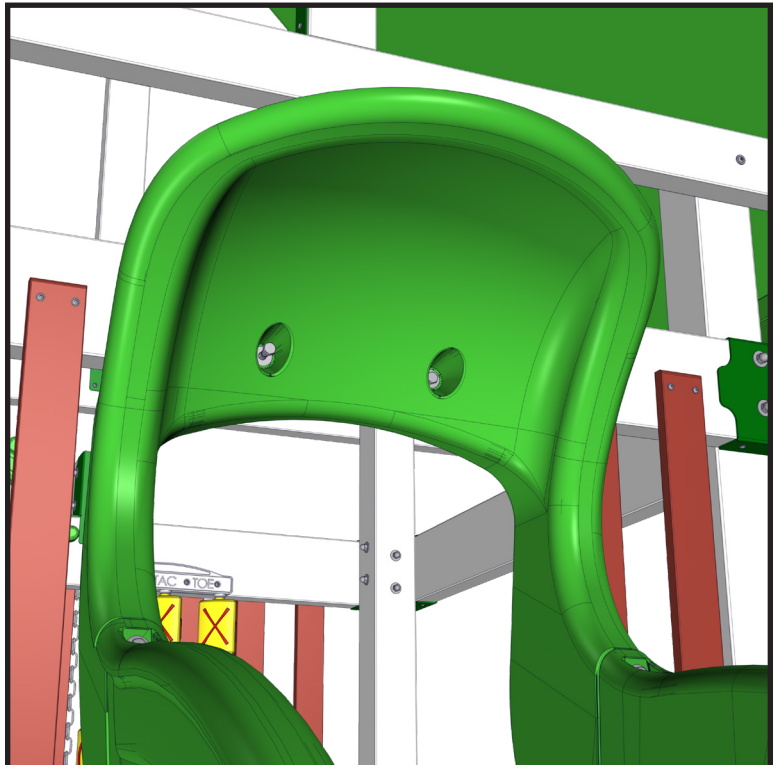
**Super Spiral Slide (4F)**

Assemble the slide according to the slide assembly manual. Next place it in the open spot on the tower.



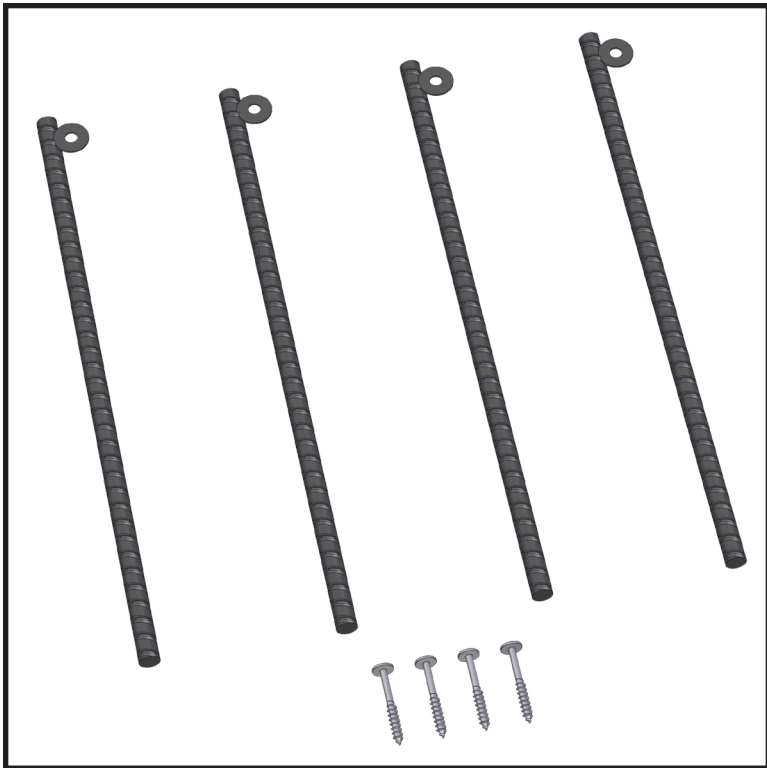
**Super Spiral Slide (4F)**

Use the included lags to fasten it to the floor 2x6.



**Super Spiral Slide (4F)**

Using the same lags as the previous step fasten the top of the slide to the railing 2x6.



**Playset Stakes**

The playset comes with a bundle of stakes and hardware



**Playset Stakes**

Drive the stakes into the ground at each corner of the playset and fasten them with the included lags.

