

Nova Playset

ASSEMBLY MANUAL



YardCraft
rediscover life outdoors

866-210-9273

YARDCRAFT.COM

271 S Shirk Road
New Holland PA 17557



YardCraft
rediscover life outdoors

If you're looking for a small playset to fit your yard, and you don't want to deal with the upkeep of wood, YardCraft's Nova Vinyl Playset is for you!

Three swings and a slide will keep the kids entertained while they enjoy playing under a blue sky.

The vinyl construction keeps this playset low in maintenance but keeps the fun factor high!

The Nova Vinyl Playset will enhance the appearance of your backyard, while also making it a one-stop-shop for having fun and making memories!

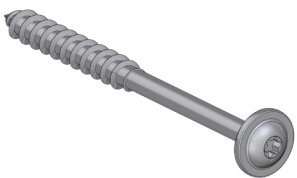
Tools Required

- 25' Tape Measure
- 9/16" Wrench
- Cordless Drill and Drill Bits
- 4' Step Ladder

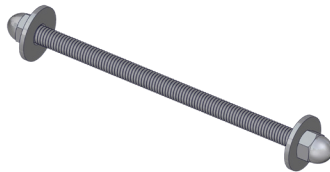
Tools Included

- #2 Square Drive Bit
- T30 Star Drive Bit

Hardware



Lags



Threaded Rods, Nuts and Washers



Washer Head Screws



Vinyl Screws

Parts List

Tower		
Part No.	Type	Quantity
1A	108" 4x4 Post	4
1B	44" 2x6	12
1C	44" 2x4 Joists	2
1D	Floor Boards	9
1E	Slats	16
1F	Sandbox Seats	4

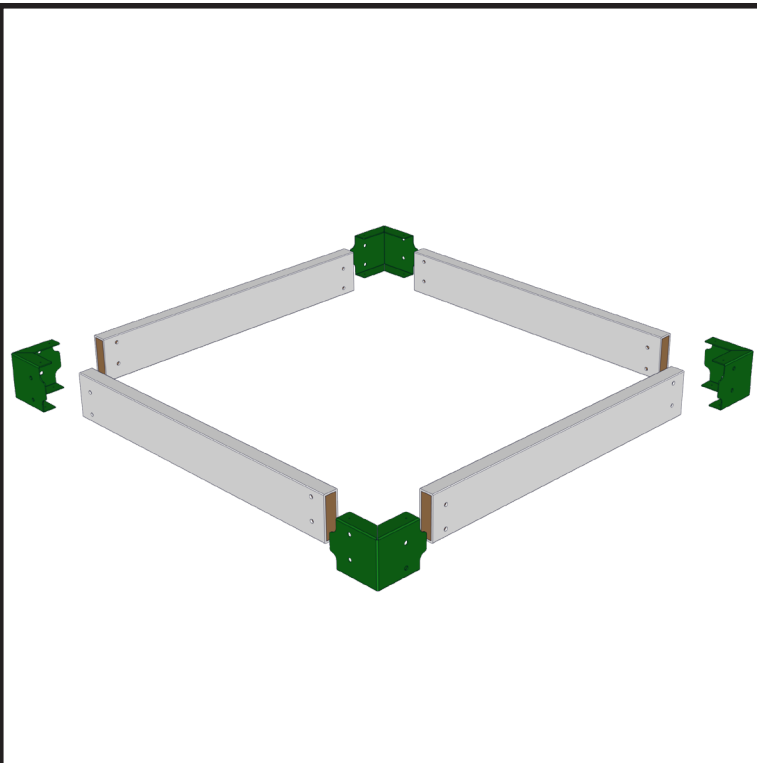
Roof		
Part No.	Type	Quantity
2A	68" 2x4	2
2B	49" 2x4	3
2C	30" 2x4	2
2D	Tarp Roof	1
2E	2x4 Roof Brackets	2

Swing Frame		
Part No.	Type	Quantity
3A	12' 2x6 Swing Beam	1
3B	93" 4x4 End Post	1
3C	93" 2x4 Ground Runner	1
3D	87" 2x4 Braces	2
3E	Beam Strap Bracket	1
3F	Corner Bracket	1
3G	End Bracket	1
3H	Swing Bearings	

Accessories		
Part No.	Type	Quantity
4A	5' Ladder	1
4B	Ladder Handrail	1
4C	Slide	1

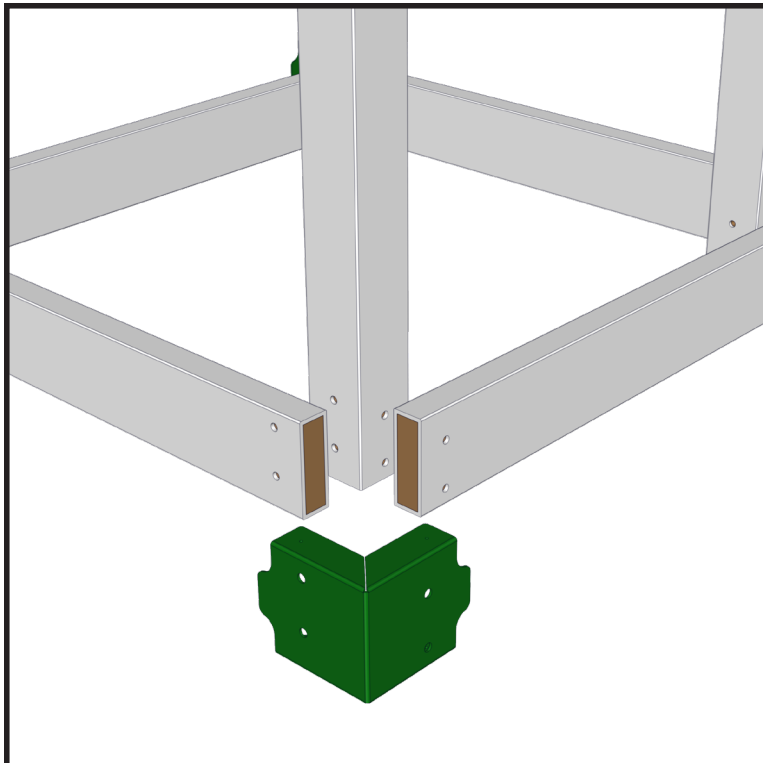
Hardware		
Part No.	Type	Quantity
6A	3/8" Threaded Rods	
6B	3/8" Acorn Nuts	
6C	3/8" Washers	
6D	1 3/4" Washer Head Screws	
6E	1 1/2" Vinyl Screws	
6F	Lags	
6G	2x6 Corner Brackets	12
6H	2x4 Joists Hangers	4





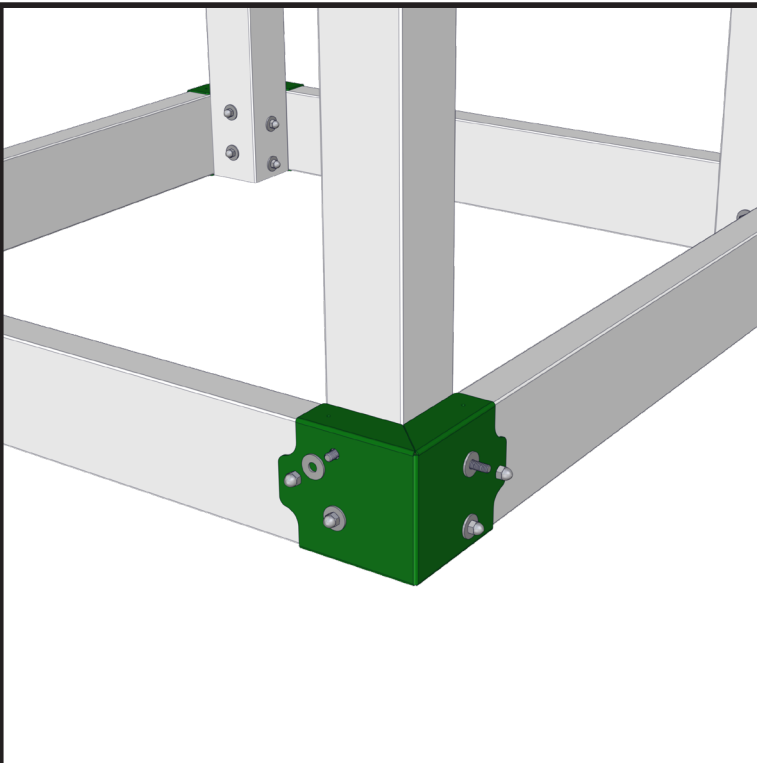
Step 1.

Begin the assembly by placing four 44" 2x6's (1B) in a square. Place a corner bracket (6G) at each corner. Notice how the holes in the 2x6's and the corner brackets are offset and need to be aligned correctly.



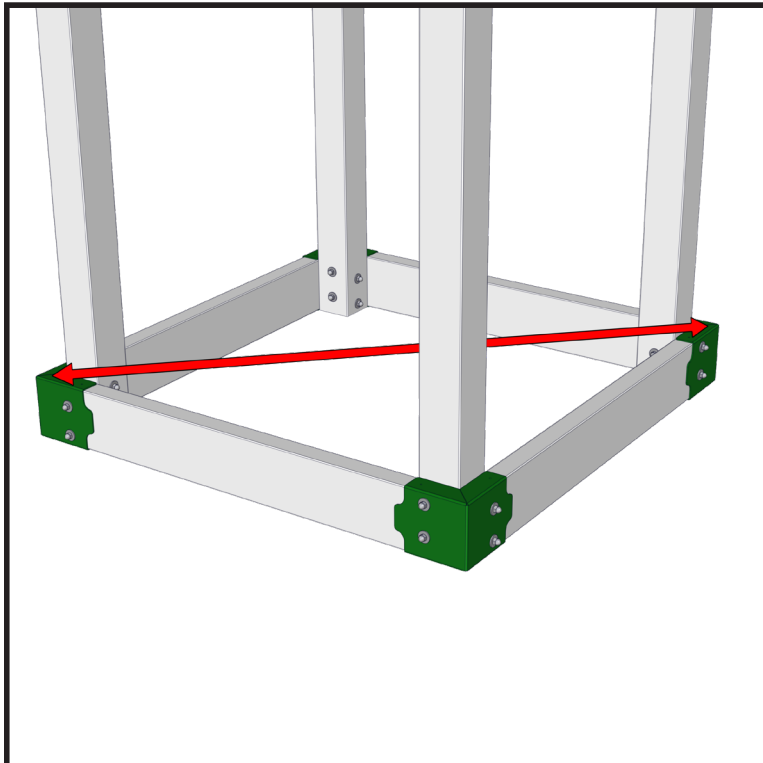
Step 2.

Place the 108" 4x4 posts (1A) in place. The pre-drilled holes need to be aligned with the holes in the 2x6's.



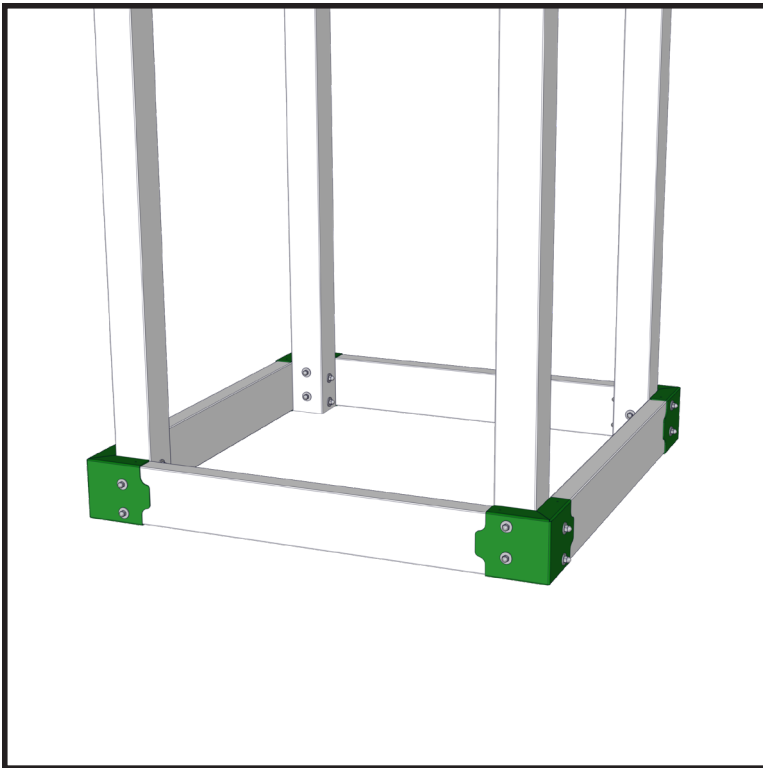
Step 3.

Begin fastening the 4x4 to the 2x6's using 6 7/8" threaded rods with acorn nuts and washers. (6A, 6B, 6C) Only finger tighten the nuts at this point.

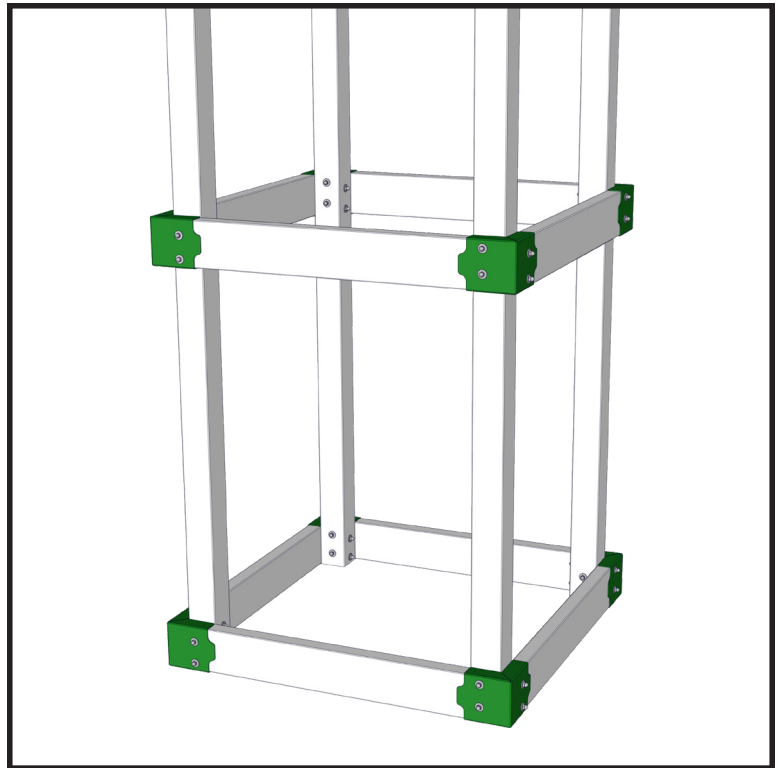


Step 4.

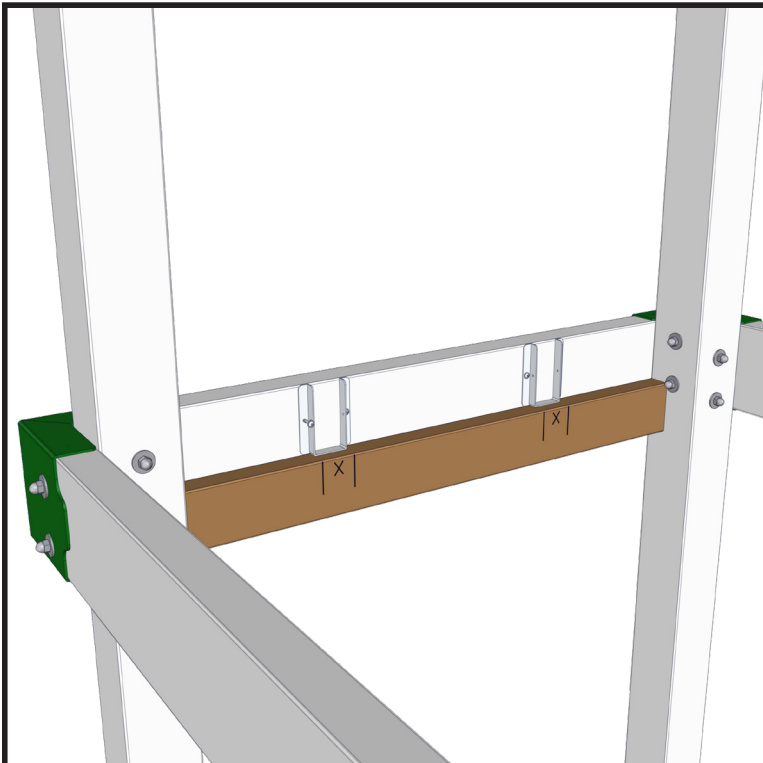
Once the 4x4 posts are installed measure across the corners to ensure the tower is square.



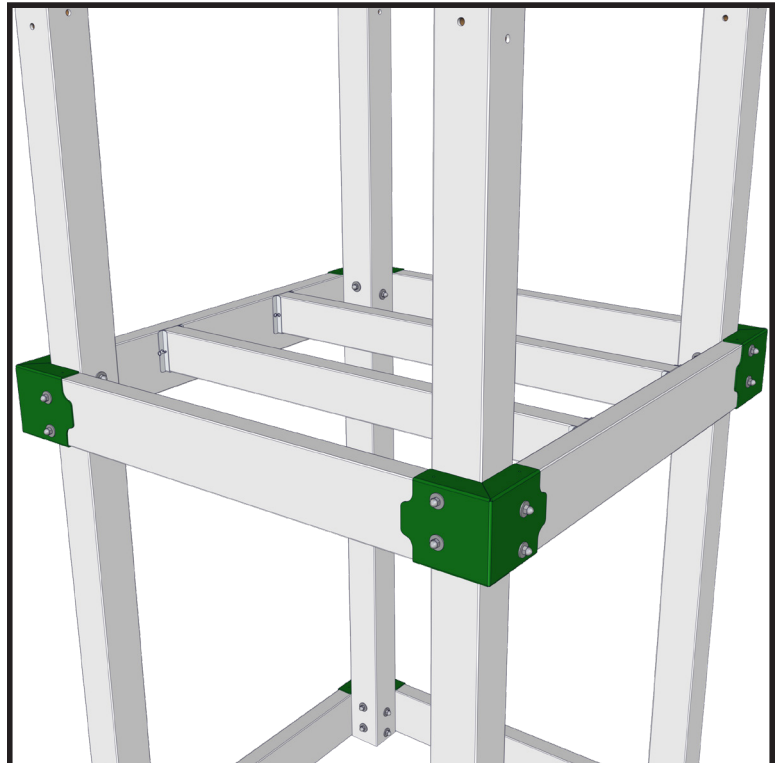
Step 5.
Tighten all the threaded rods using a $\frac{9}{16}$ " socket and a $\frac{9}{16}$ " open end wrench.
Keep in mind that overtightening the acorn nuts can damage them.



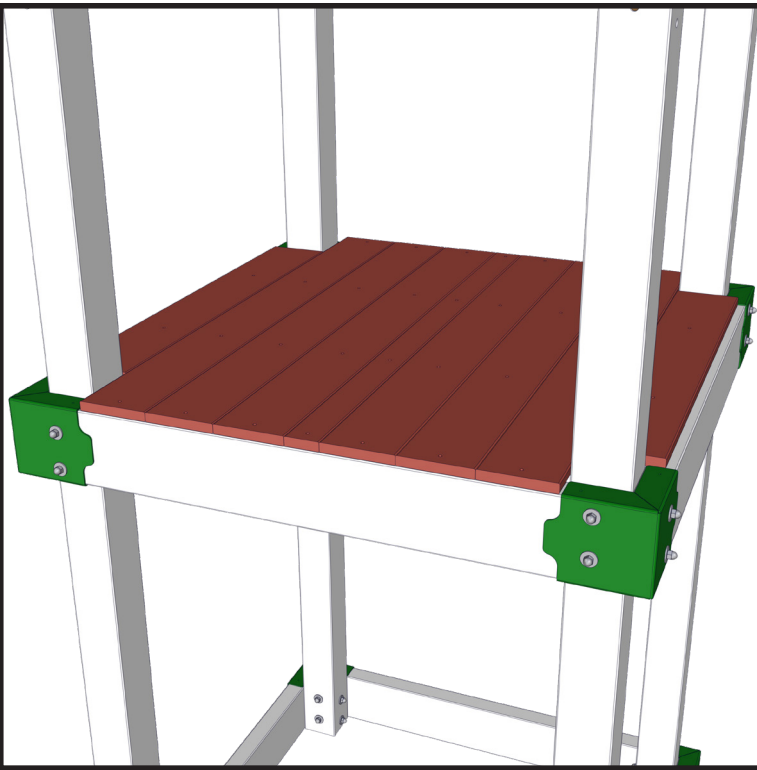
Step 6.
Repeat steps 1-5 to build the floor of the tower.



Step 7.
Locate the joint hanger template and install the joint hangers. (6H)
The joint hanger template will show you where to properly position them.
Keep the joint hangers flush with the top of the 2x6 and fasten them with 1 $\frac{3}{4}$ " washer head screws. (6D)

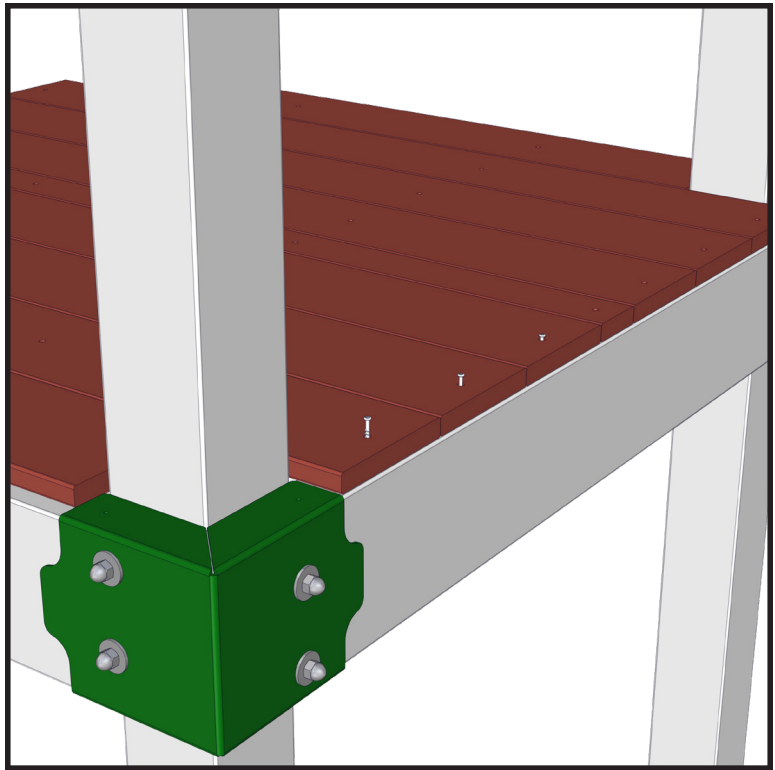


Step 8.
Once the joint hangers are in place the 44" 2x4 floor joists (1C) can be installed next.
Fasten them with the same washer head screws.



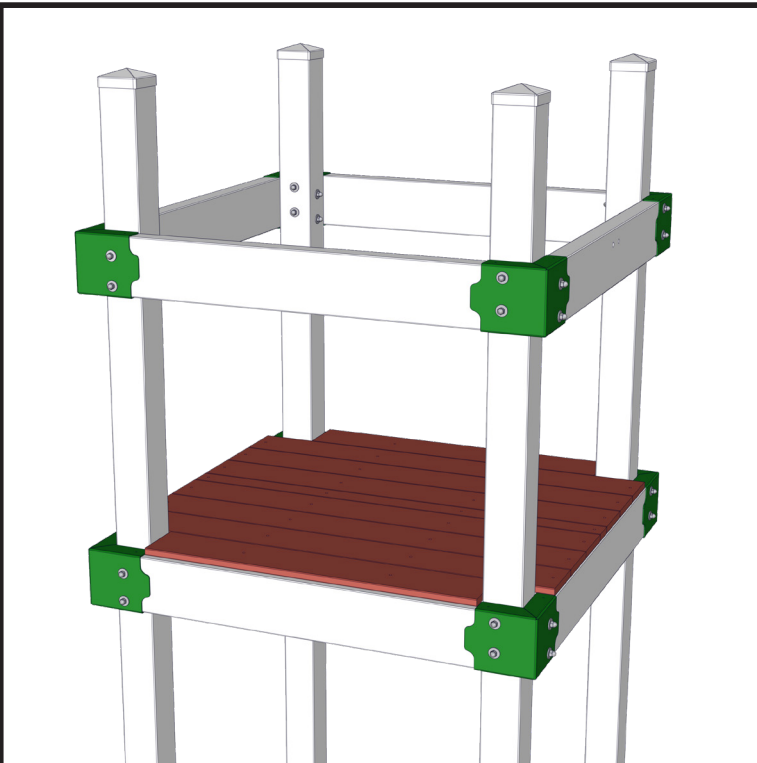
Step 9.

Locate the floorboards (1D) and lay them in place. There are two short boards that go between the 4x4 posts and one narrow board for the center.



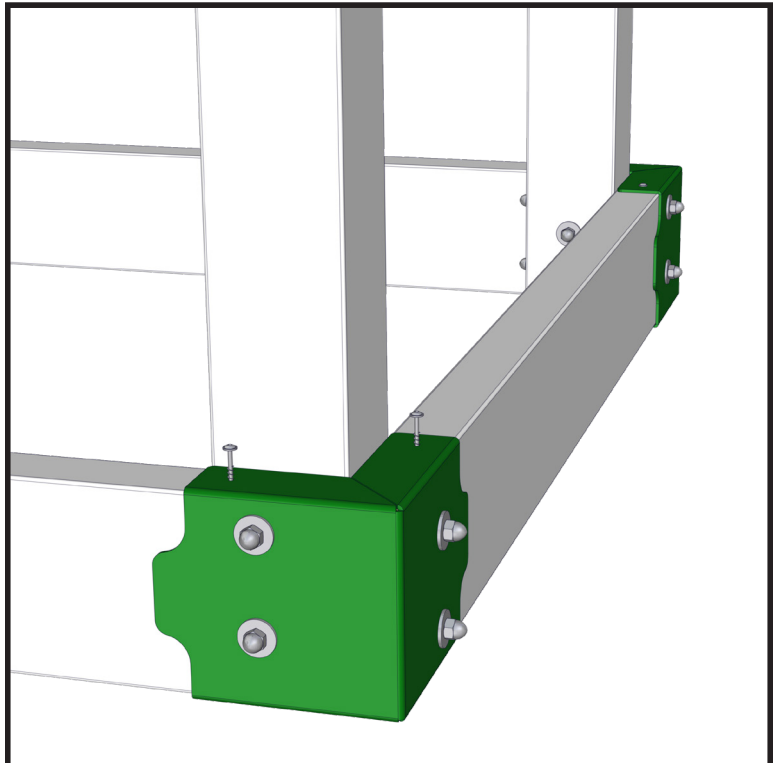
Step 10.

Fasten the floorboards using 1 1/2" vinyl screws. (6E)



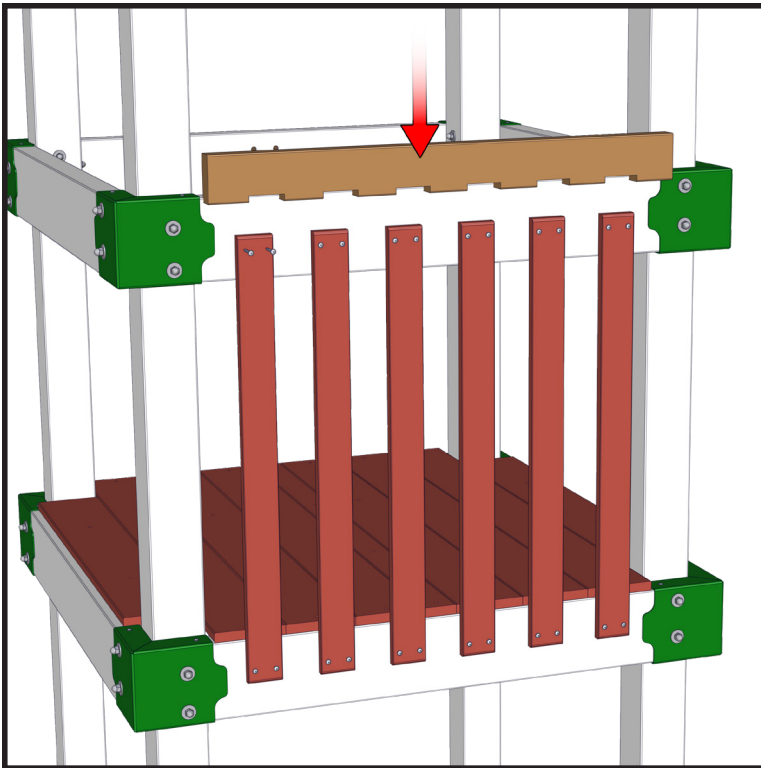
Step 11.

After the floor is finished assemble the railing section.



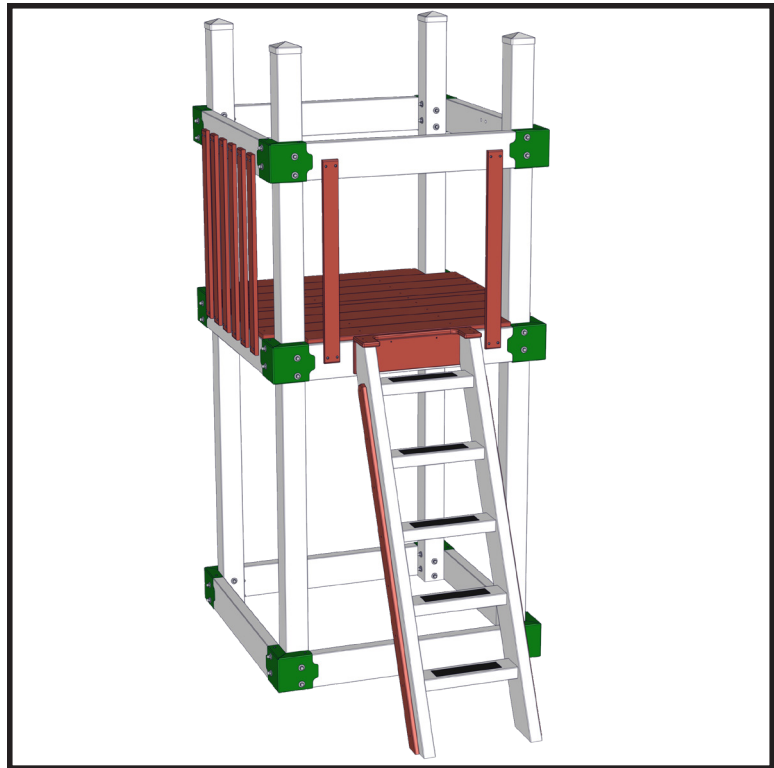
Step 12.

Complete the main structure by fastening the corner brackets. Use 1 3/4" washer head screws to fasten the top and bottom of each bracket. The ground brackets only get the tops fastened.



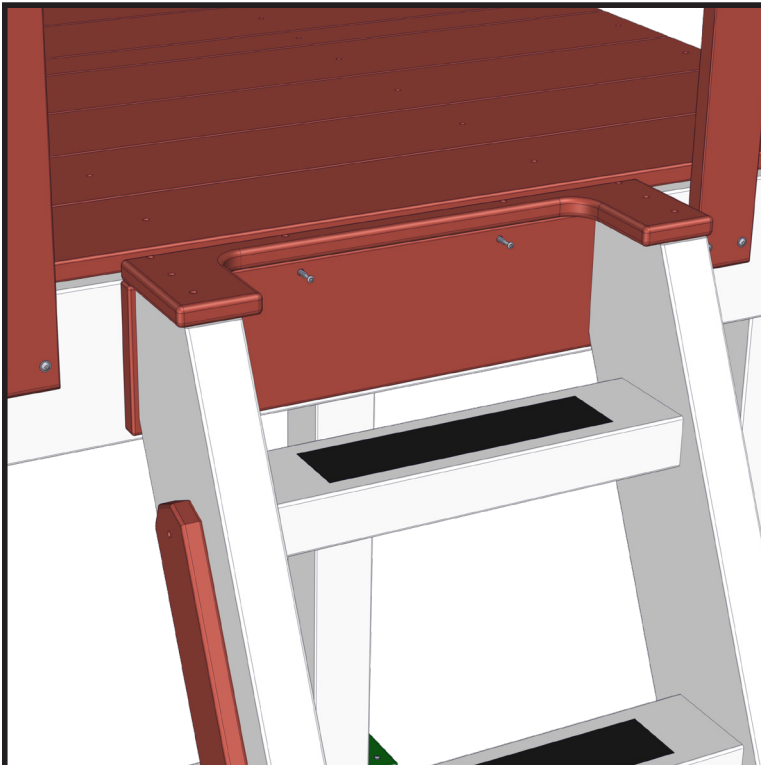
Step 13.

The next step is to fasten the slats to the 2x6's to complete the railings. Use the included template to align the slats then fasten them with 1 3/4" washer head screws. Before you attach the slats you need to decide where you want the swing beam, ladder and slide then install the slats accordingly.



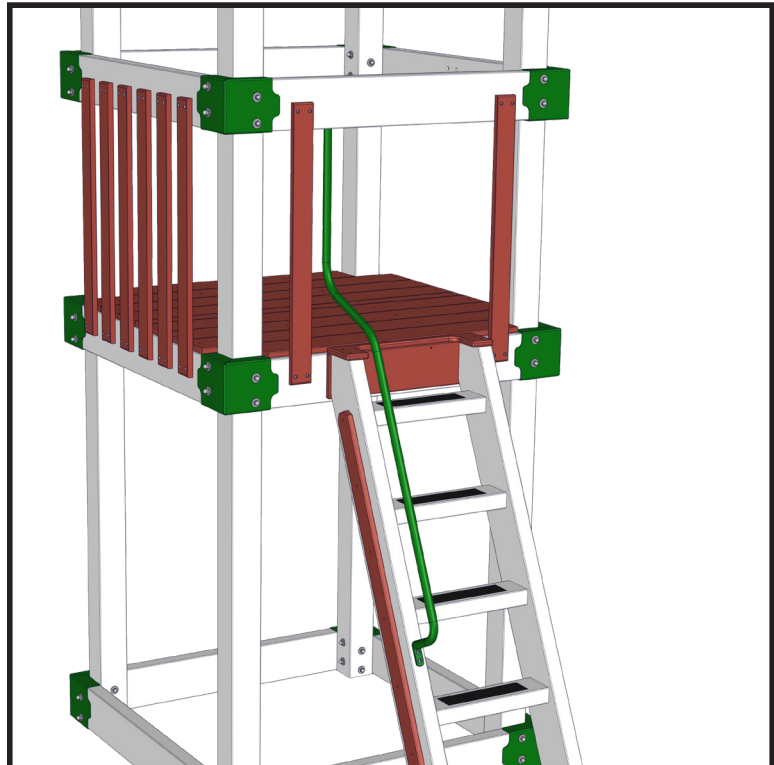
Step 14.

The ladder (4A) gets one slat on each side.



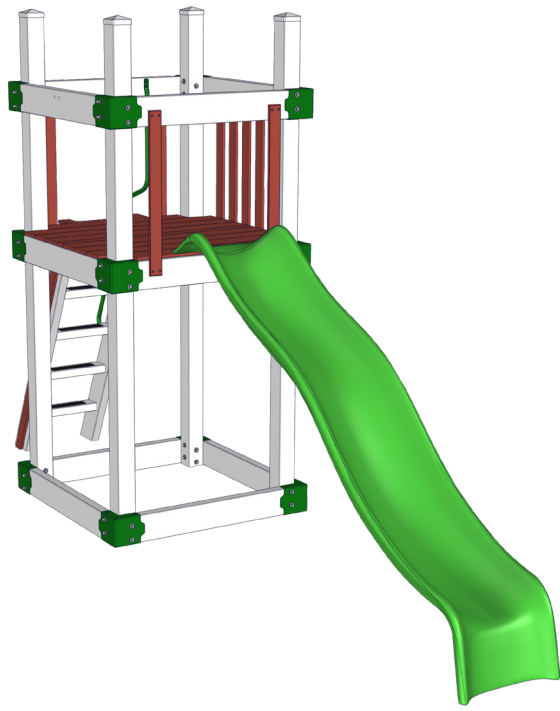
Step 15.

When installing the ladder keep it flush with the floor. Fasten it with four 1 1/2" vinyl screws.

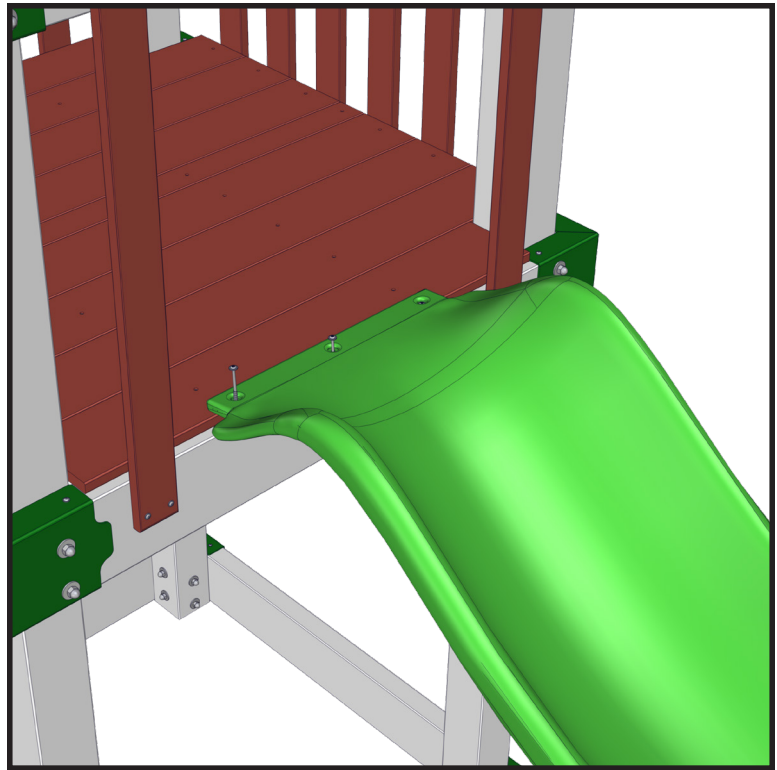


Step 16.

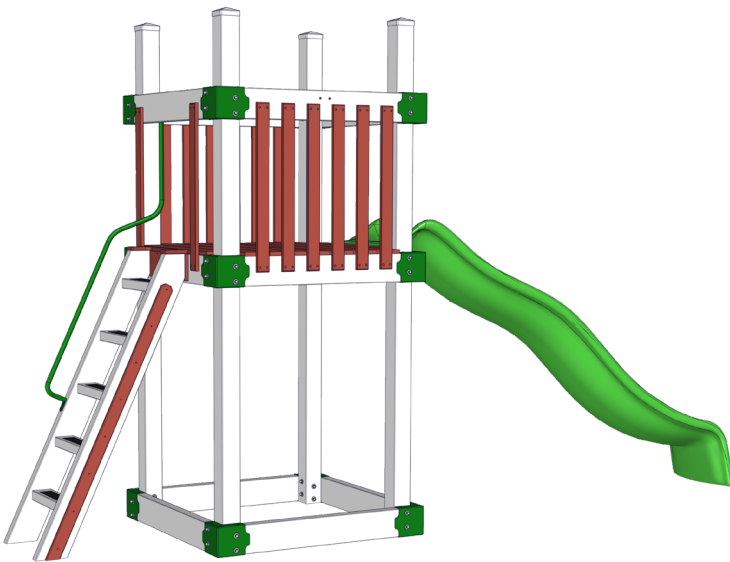
Attach the handrail (4B) to the ladder and 2x6 railing using 1 1/2" Lags.



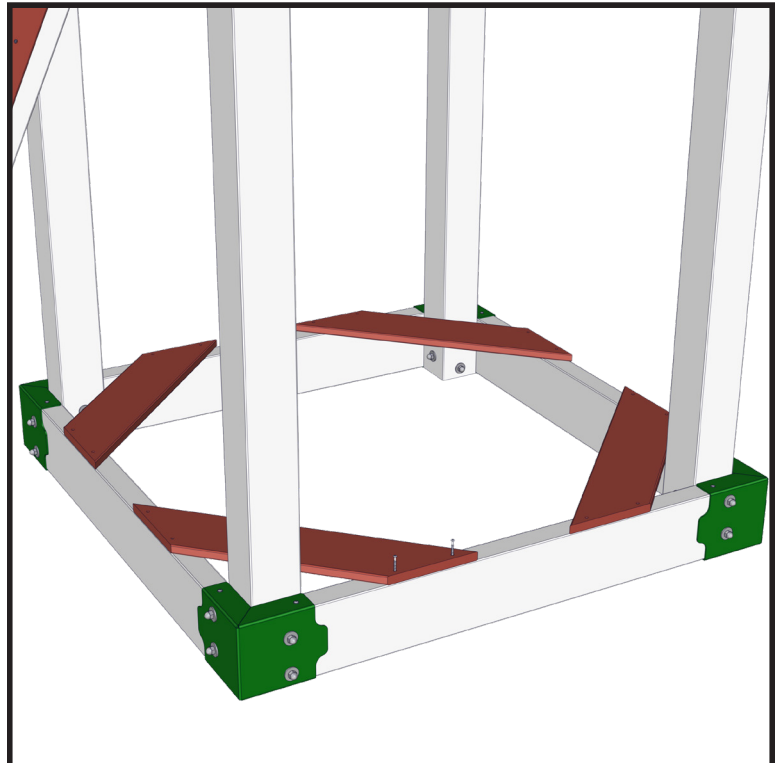
Step 17.
The slide (4C) gets one slat on each side.



Step 18.
Use 1 3/4" washer head screws to fasten the slide.
Make sure the screws are going into the 2x6 below and not just the decking.

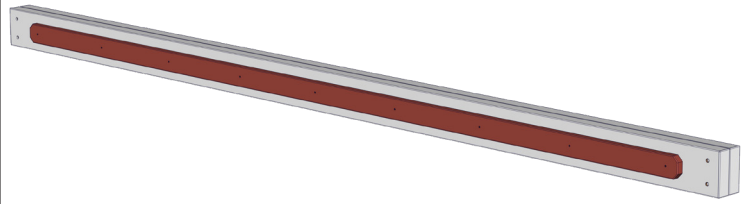
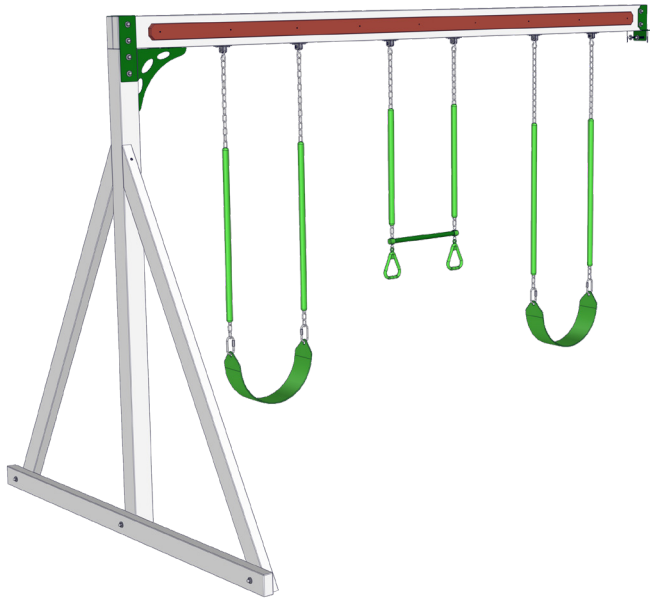


Step 19.
Finish installing the rest of the slats.



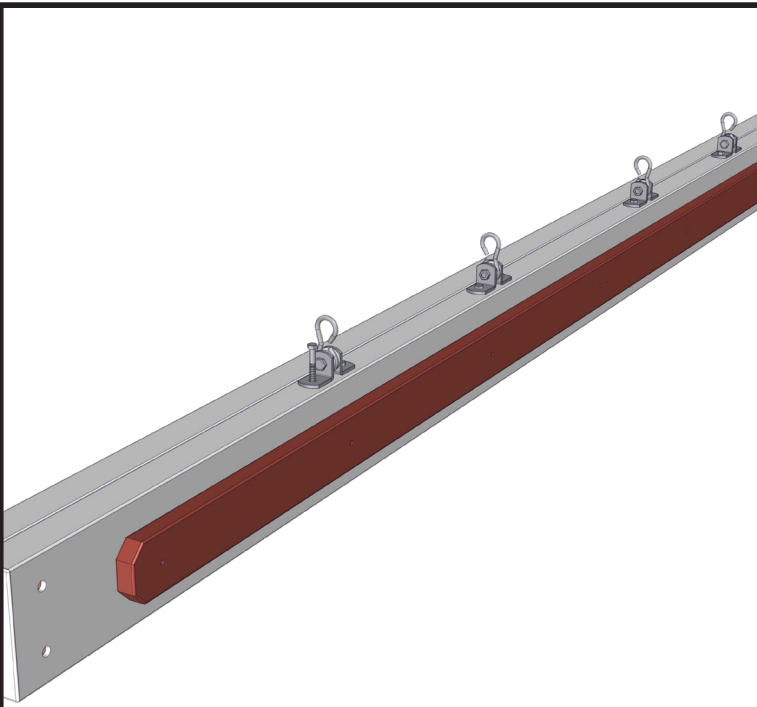
Step 20.
Fasten the sandbox seats (1F) to the bottom 2x6's using 1 1/2" vinyl screws.

Swing Frame Assembly



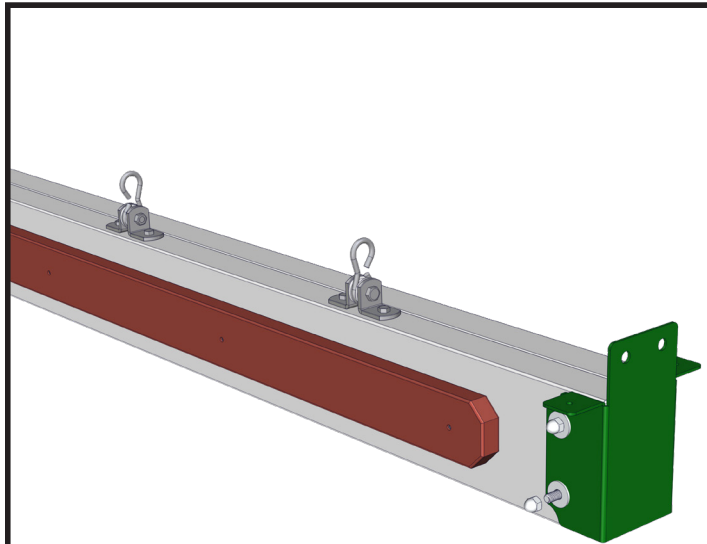
Step 1.

Start the swing frame assembly with the 2x6 swing beam. (3A)



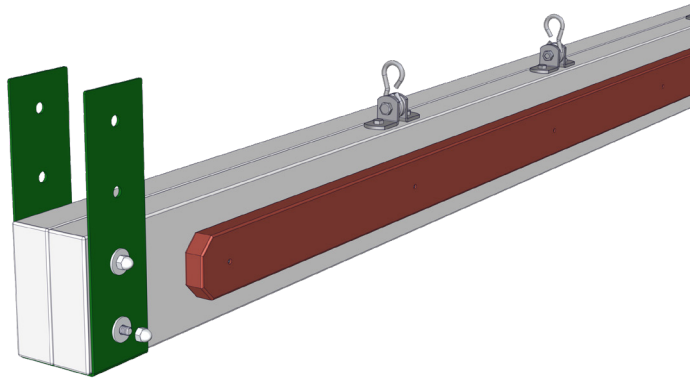
Step 2.

Fasten the swing bearings (3H) to the swing beam using the lags provided with the bearings.

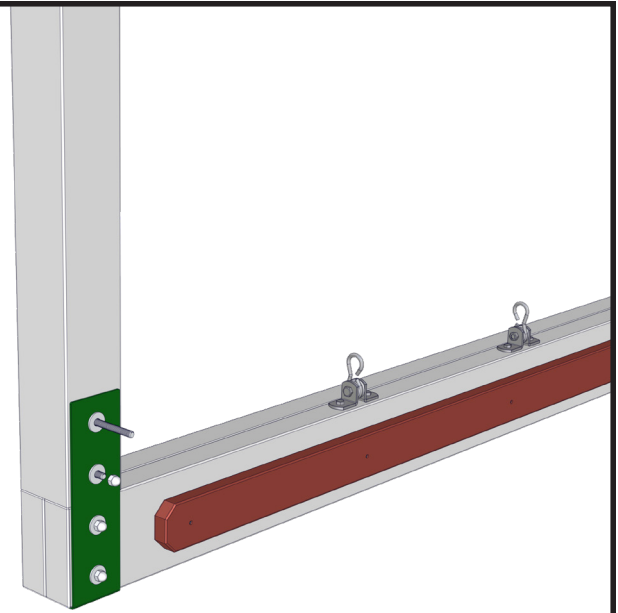


Step 3.

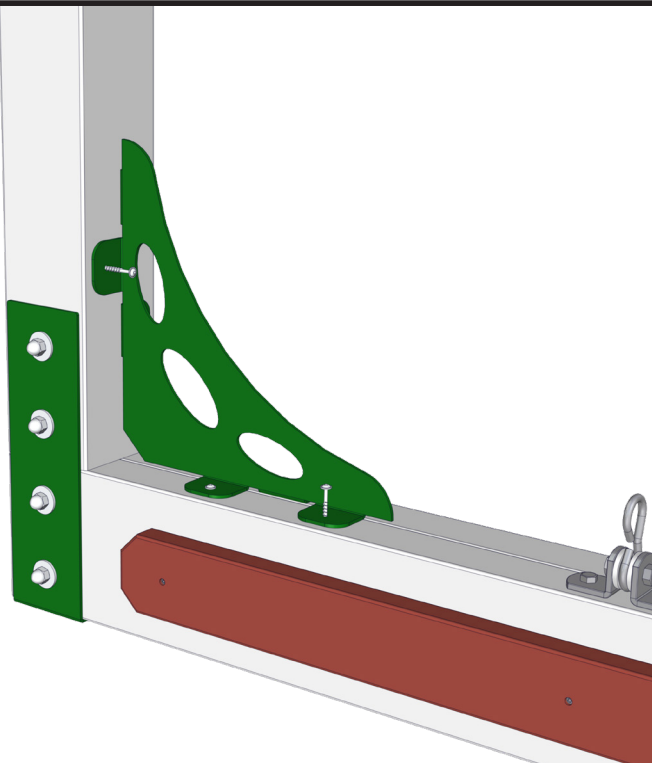
Attach the swing beam bracket (3G) to the end of the beam without the end caps. Use two 4 7/8" threaded rods with washers and acorn nuts to fasten the bracket.



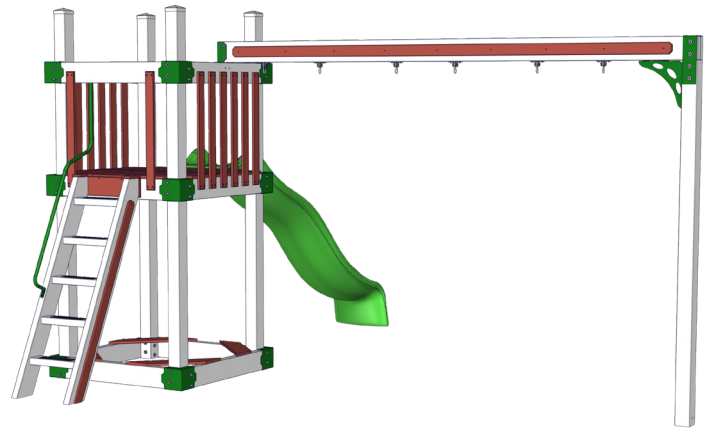
Step 4.
Install the beam strap (3E) on the other end of the beam using the same 4 7/8" threaded rods.
Only finger tighten the nuts at this point.



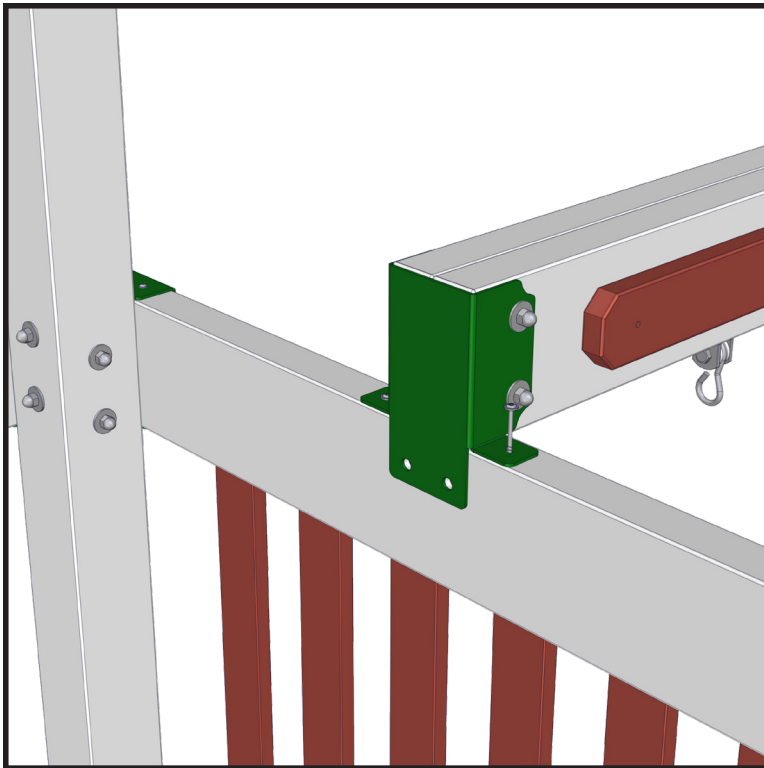
Step 5.
Find the 4x4 end post (3B) and install it in the beam strap.
Make sure the post is square with the swing beam then tighten all the nuts.



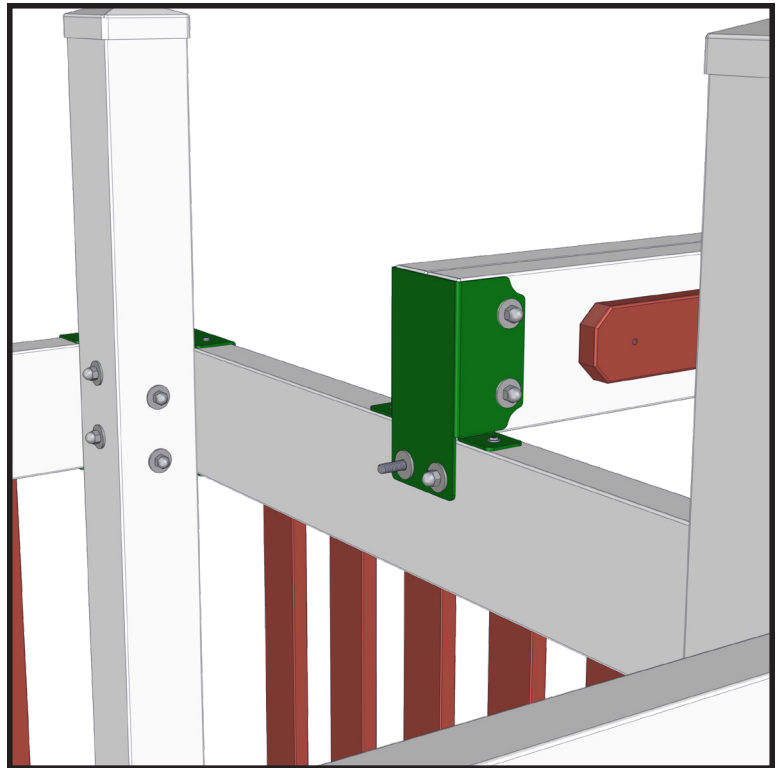
Step 6.
Attach the corner bracket (3F) to the swing beam and end post.
Fasten it with 1 3/4" washer head screws.



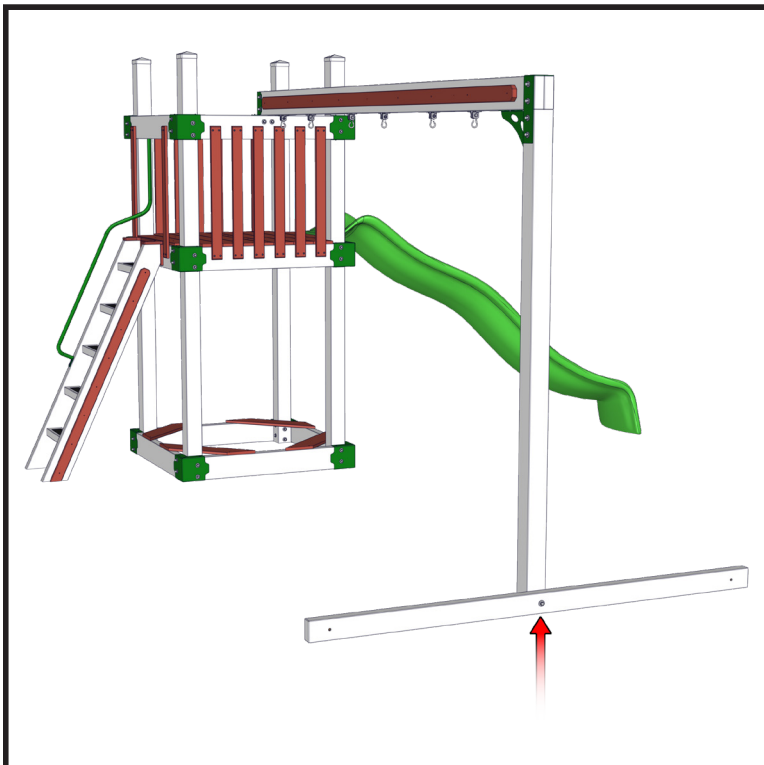
Step 7.
Lift the swing beam up into place on the tower.



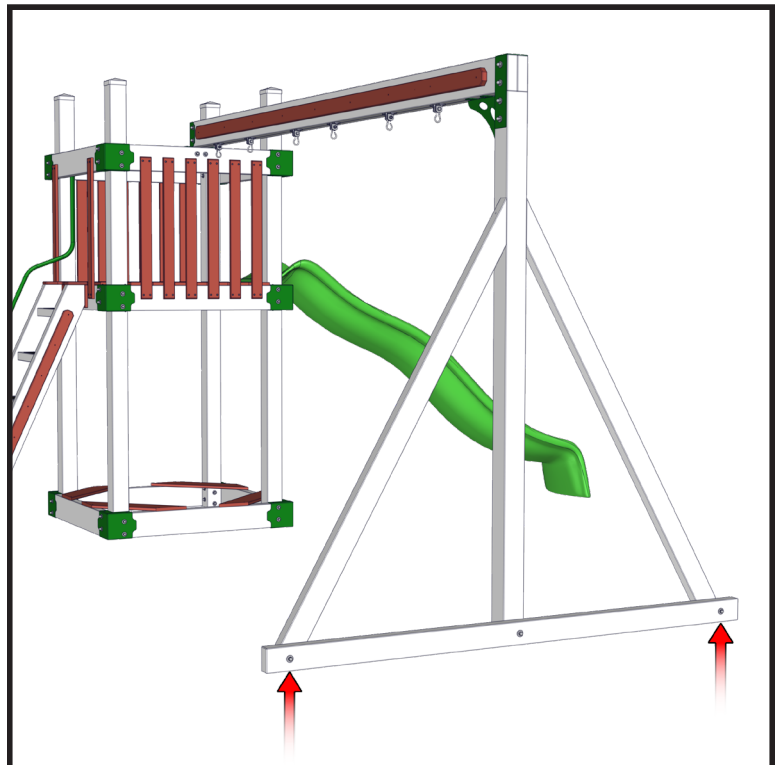
Step 8.
Fasten the bracket to the 2x6 using 3" lags after placing it in position.



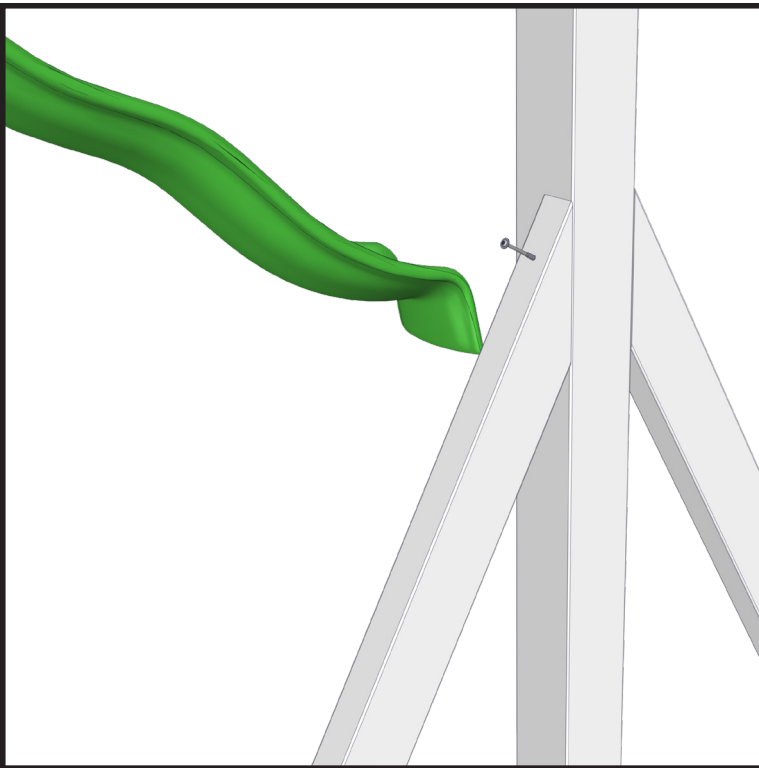
Step 9.
Next pre-drill two $\frac{7}{16}$ " holes through the 2x6 then fasten the bracket with two $2\frac{3}{4}$ " threaded rods.



Step 10.
Find the ground runner 2x4 (3C) and fasten it to the end post using a $6\frac{1}{2}$ " threaded rod, nut and washer.



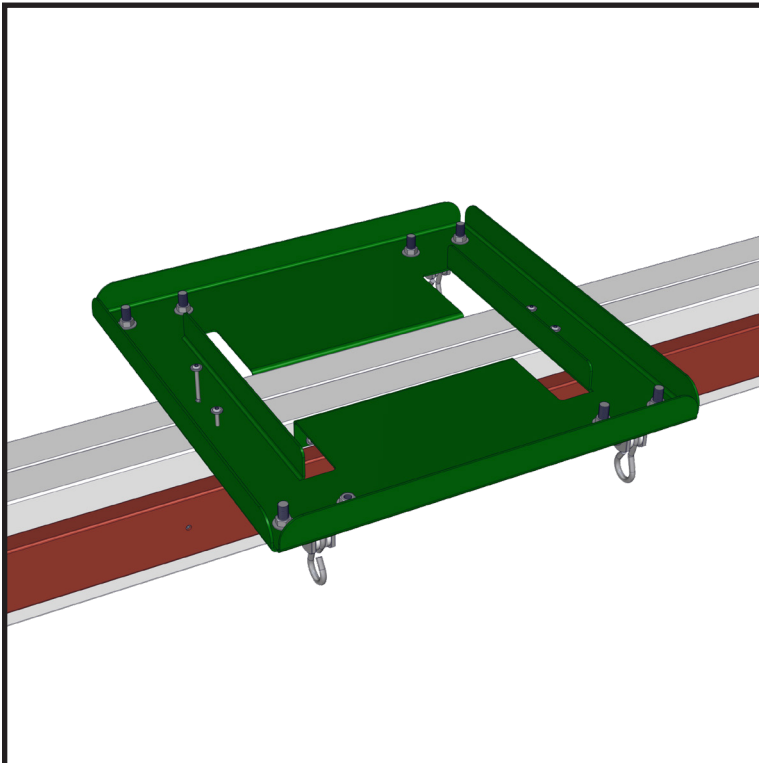
Step 11.
Place the 2x4 end braces (3D) in place and fasten the bottom ends to the ground 2x4.
Use two $4\frac{1}{8}$ " threaded rods to fasten them.



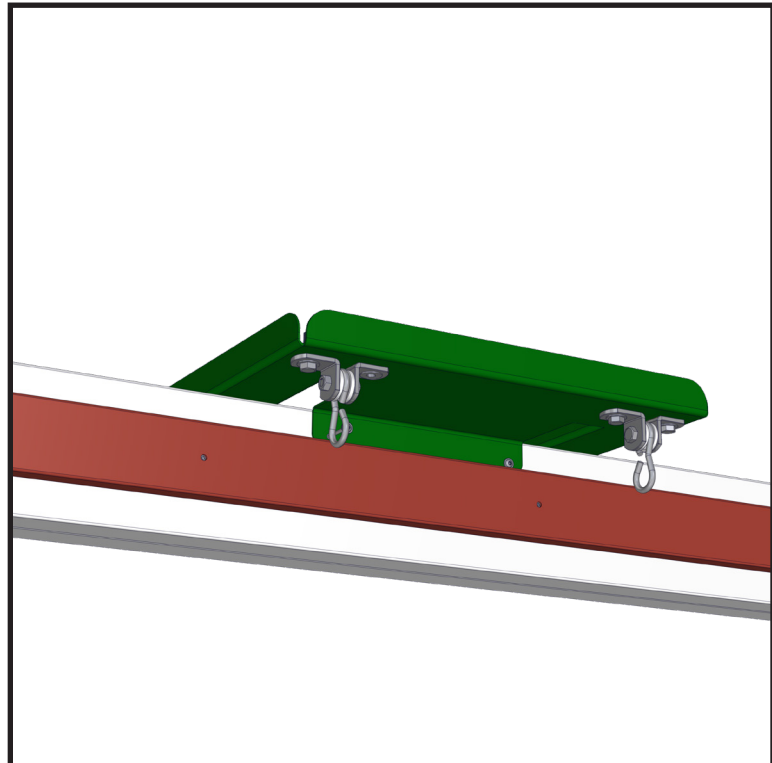
Step 12.
Fasten the top ends of the braces to the end post using 4" lags.
Pre-drill the holes first using a 1/4" drill bit.



Step 13.
Install the swings to finish the swing frame assembly.

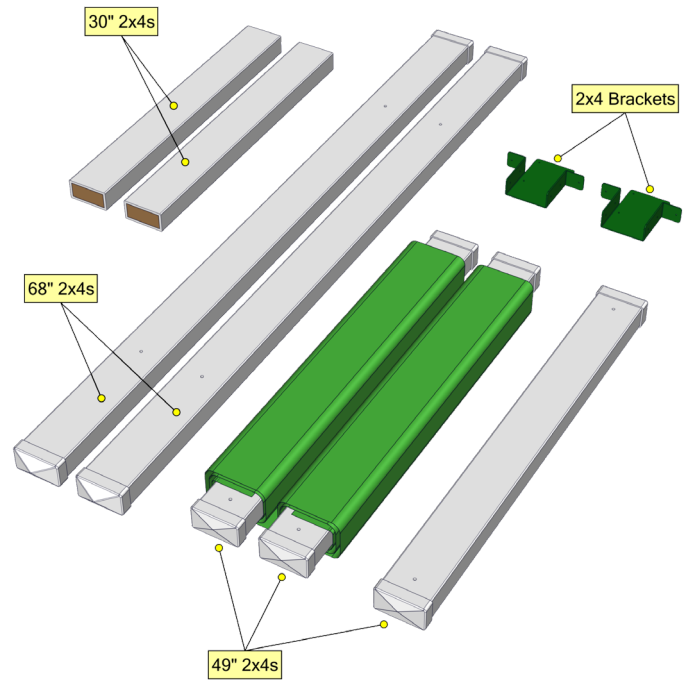


Note:
If your playset comes with a glider follow these steps for the installation.
Place the glider bracket in position then pre-drill four 1/2" holes.
Fasten the bracket to the swing beam using the lags provided.



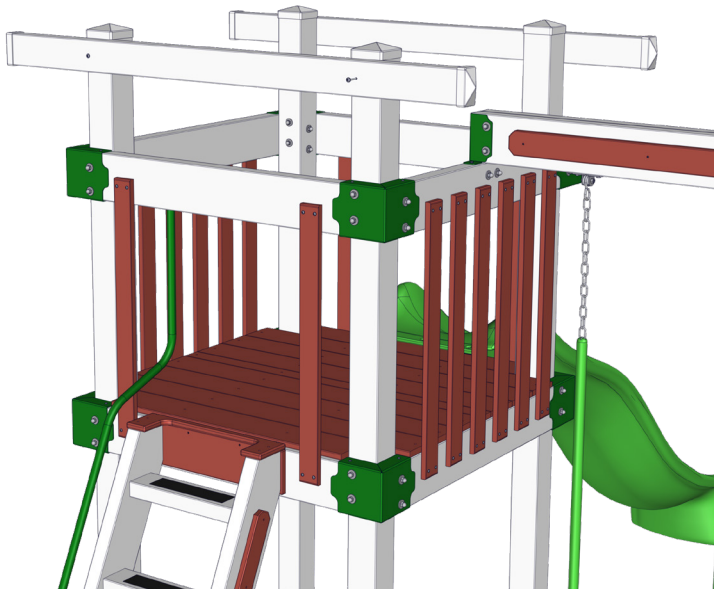
Step 13.
Fasten the side tabs to the swing beam using 1 3/4" washer head screws to finish the bracket install.

Tarp Roof Assembly



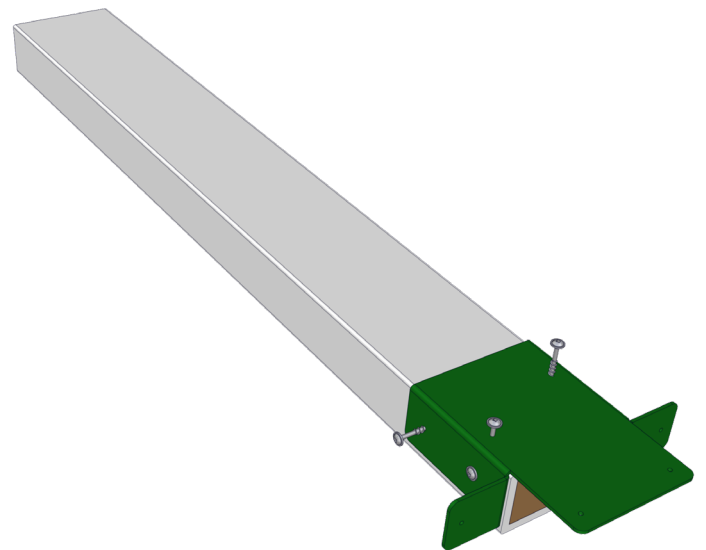
Step 1.

To begin the roof assembly find and identify these parts.



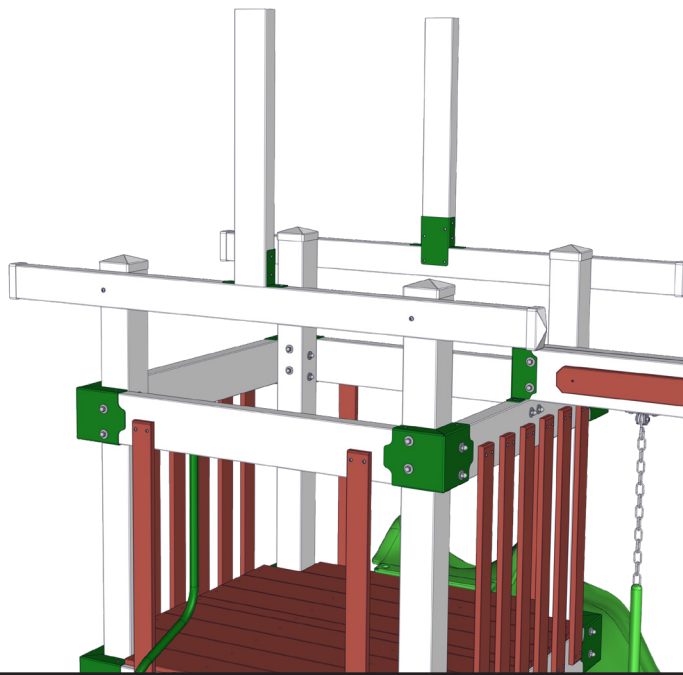
Step 2.

Fasten the 68" 2x4's (2A) to the 4x4 posts using 3" lags. The pre-drilled holes should be centered on the 4x4 posts.

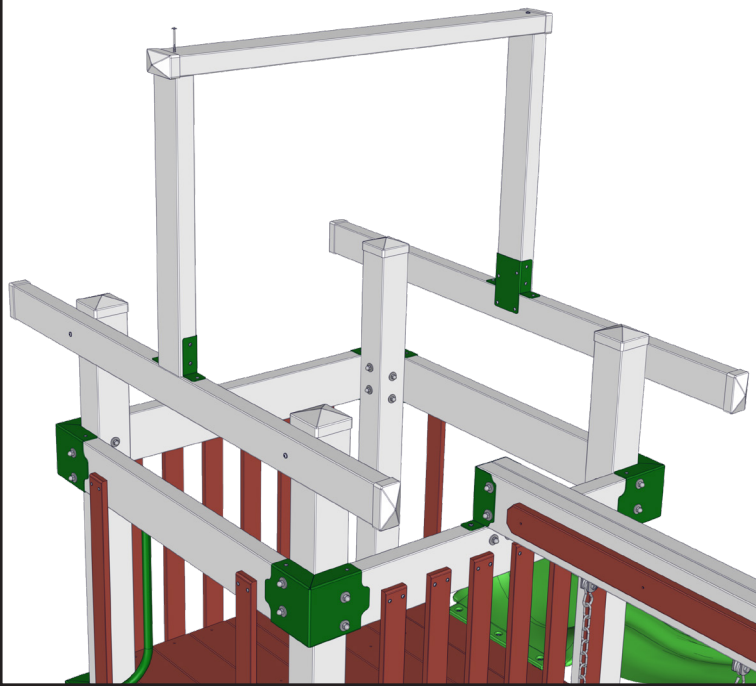


Step 3.

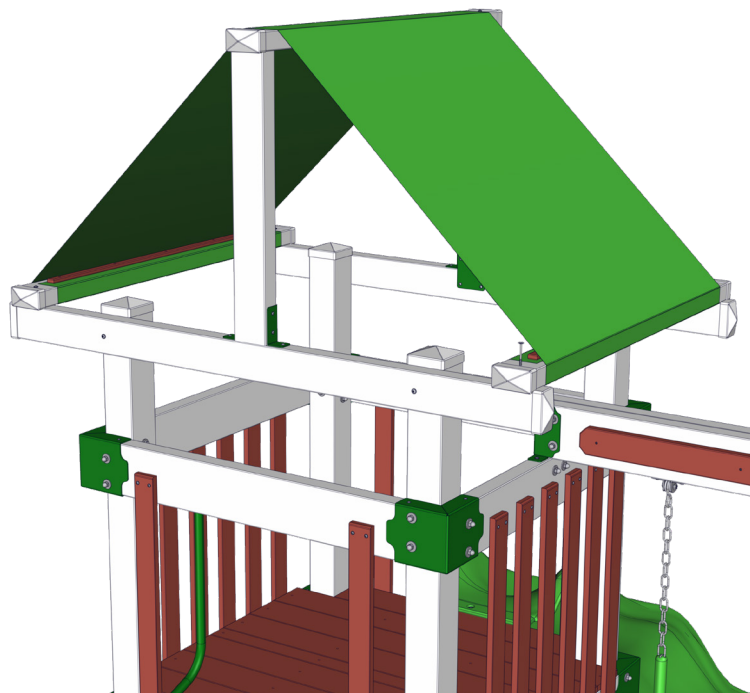
Next fasten the roof 2x4 brackets (2E) to the 30" 2x4's. (2C) Use six 1 3/4" washer head screws per bracket.



Step 4.
Place the 2x4's with the brackets in the center of the 68" 2x4's with the brackets facing in.
Use 1 3/4" washer head screws to fasten the brackets.



Step 5.
Place the 49" 2x4 (2B) on top of 30" 2x4's and fasten it with 3" lags.



Step 6.
Place the 2x4's with the tarp roof (2D) in place as shown.
Fasten one 2x4 first then pull the tarp tight and fasten the other.
Use 3" lags in the pre-drilled holes to fasten them.



Congratulations on finishing your build!