

Pluto Assembly Manual





YardCraft
rediscover life outdoors

Use your imagination to explore the outer regions of space on YardCraft's Pluto Vinyl Playset!

Like its namesake, this set is our most compact vinyl playsets so your kids can have fun without taking up all the real estate!

The vinyl construction keeps this playset low in maintenance but keeps the fun factor high!

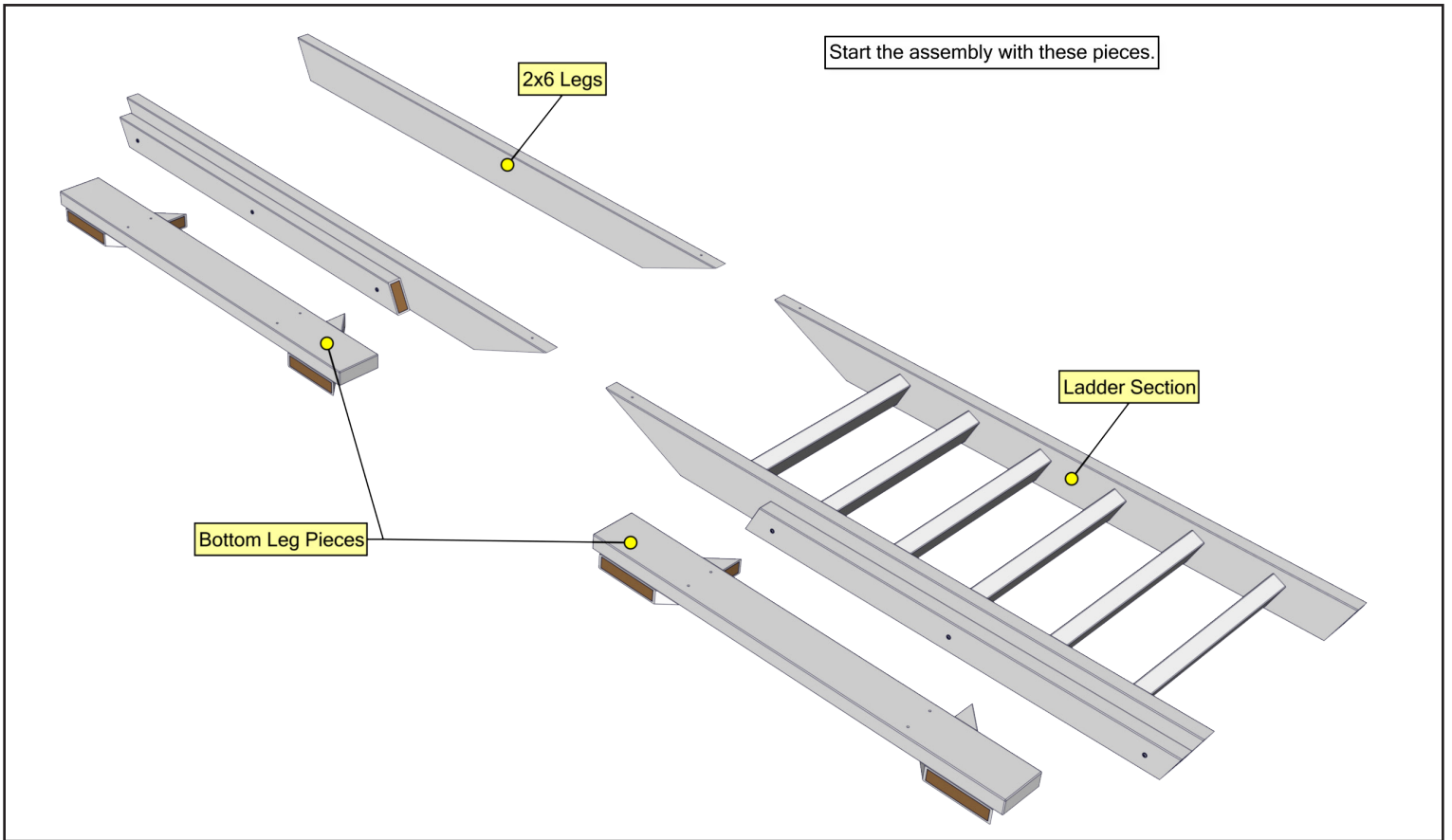
The Pluto Vinyl Playset will enhance the appearance of your backyard, while also making it a one-stop-shop for having fun and making memories!

866-210-9273

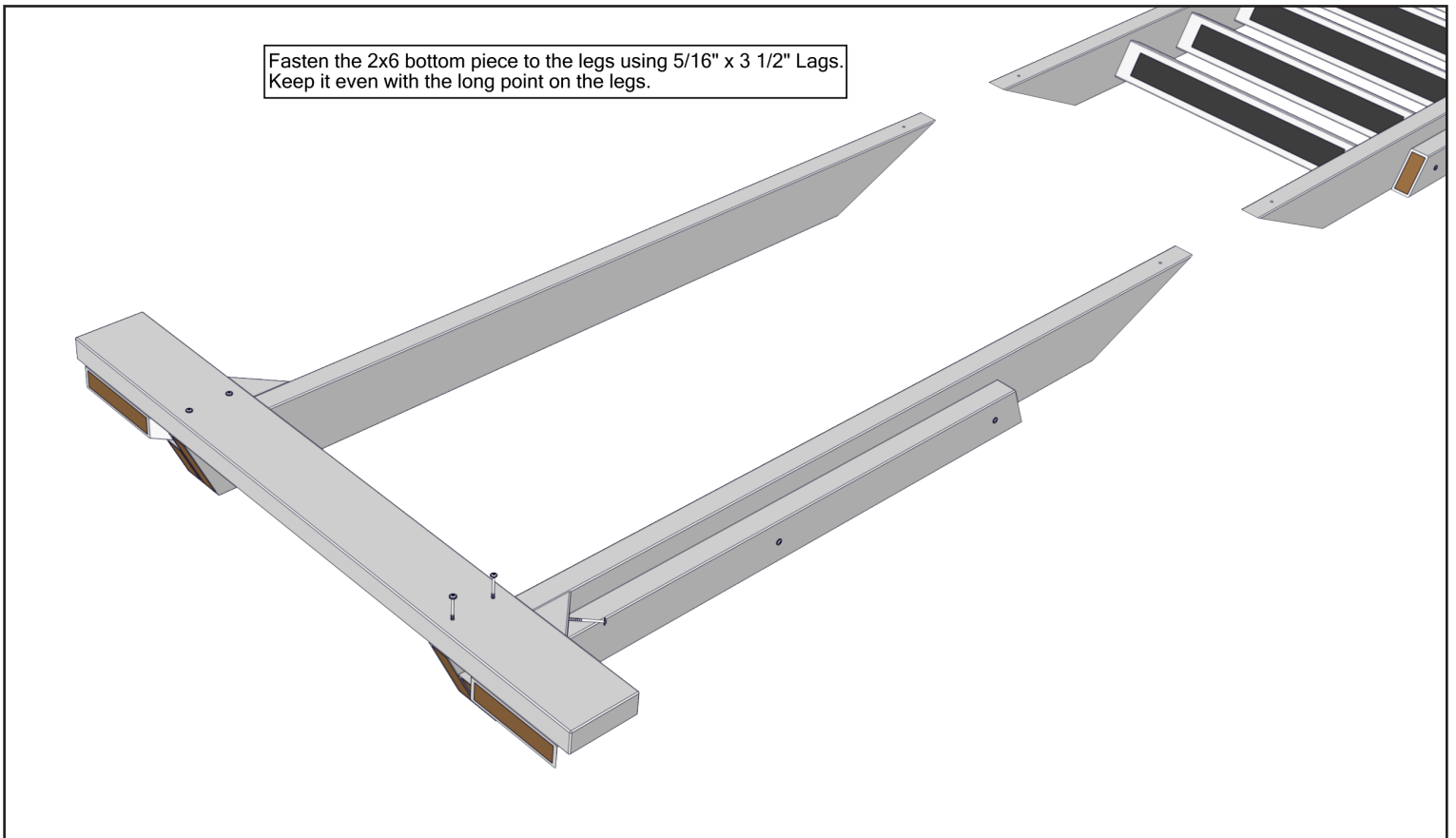
info@yardcraft.com

**271 S Shirk Road
New Holland PA 17557**

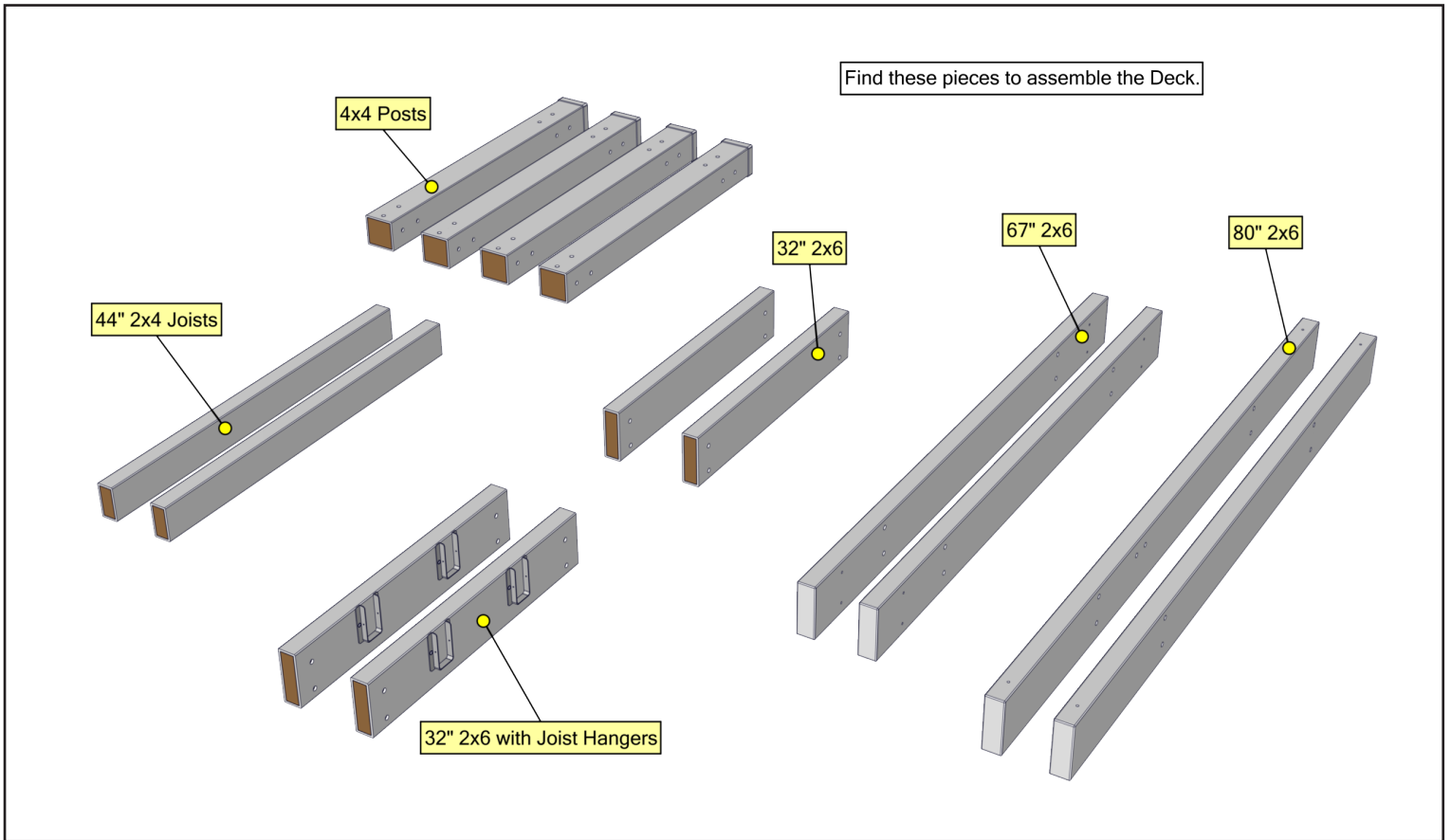
STEP 1



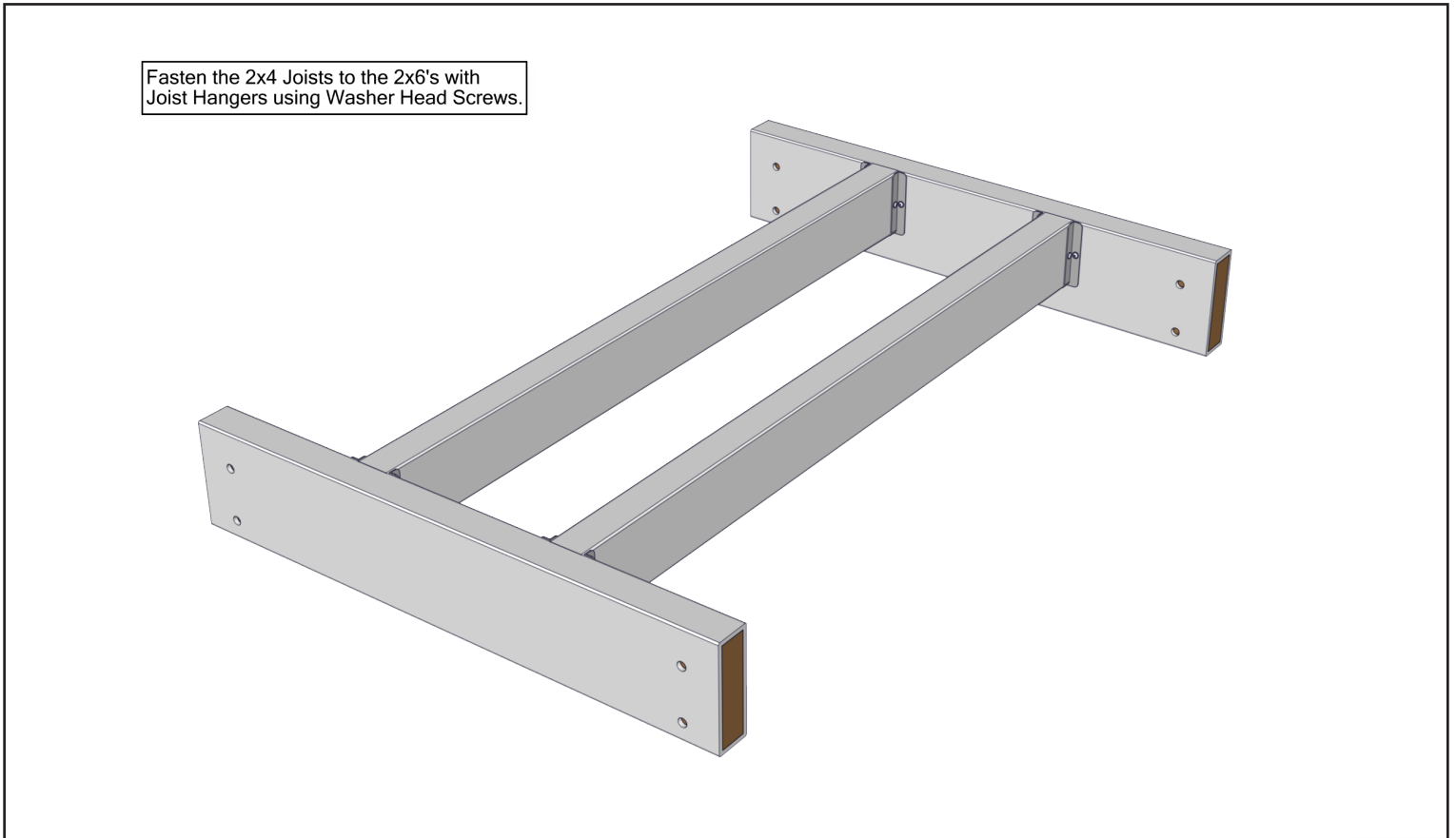
STEP 2



STEP 3

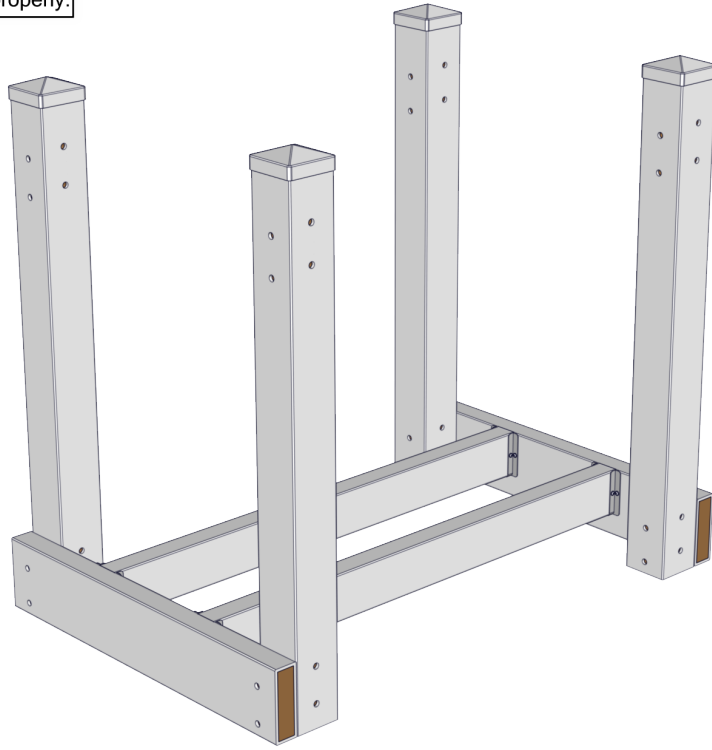


STEP 4



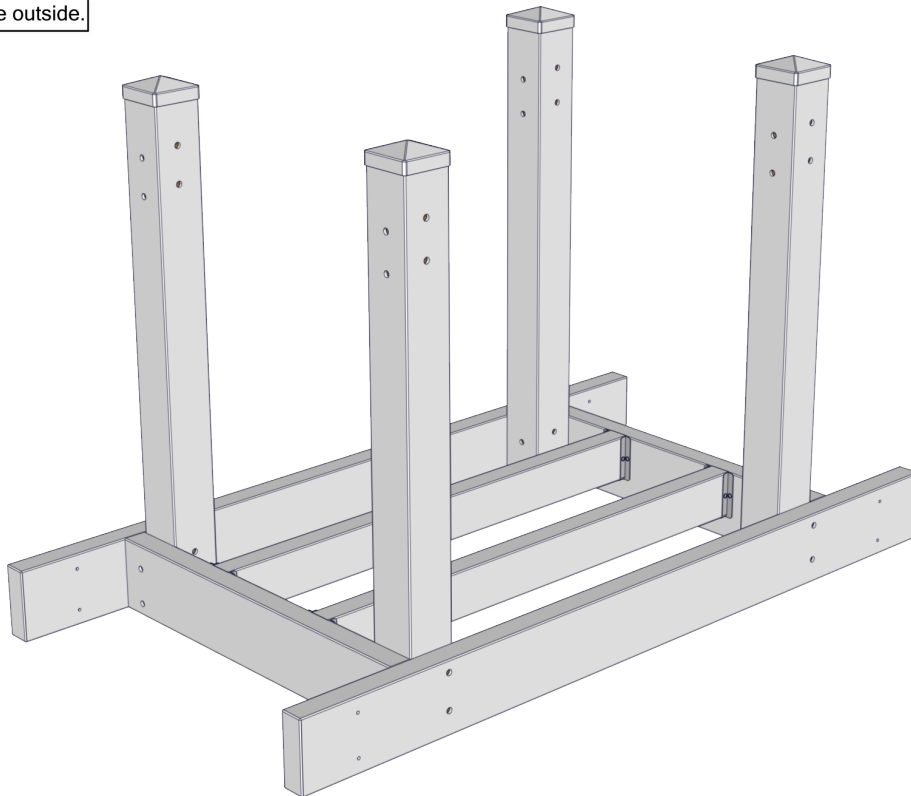
STEP 5

Place the 4x4 Posts in position as shown.
Make sure the holes are aligned properly.

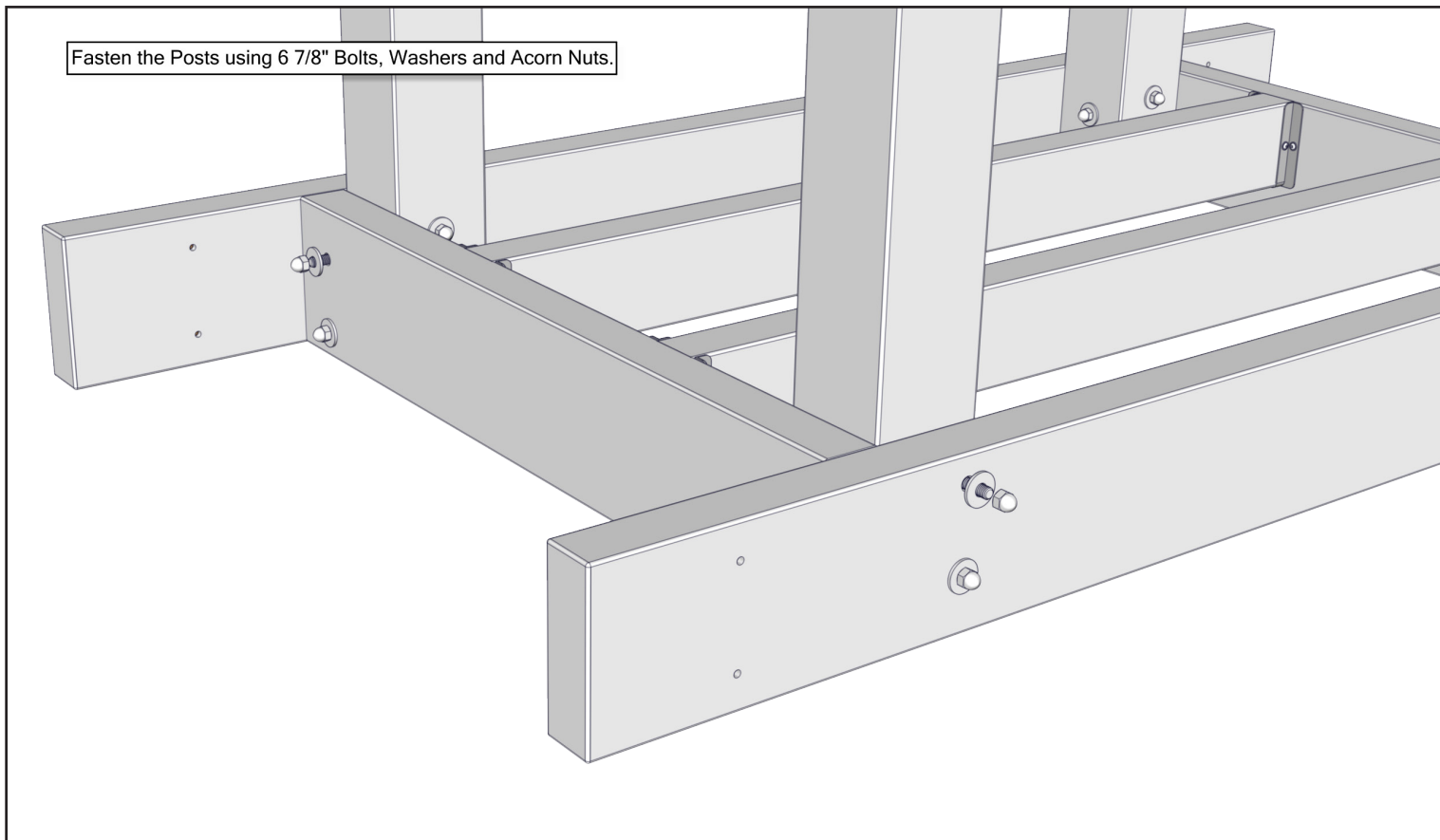


STEP 6

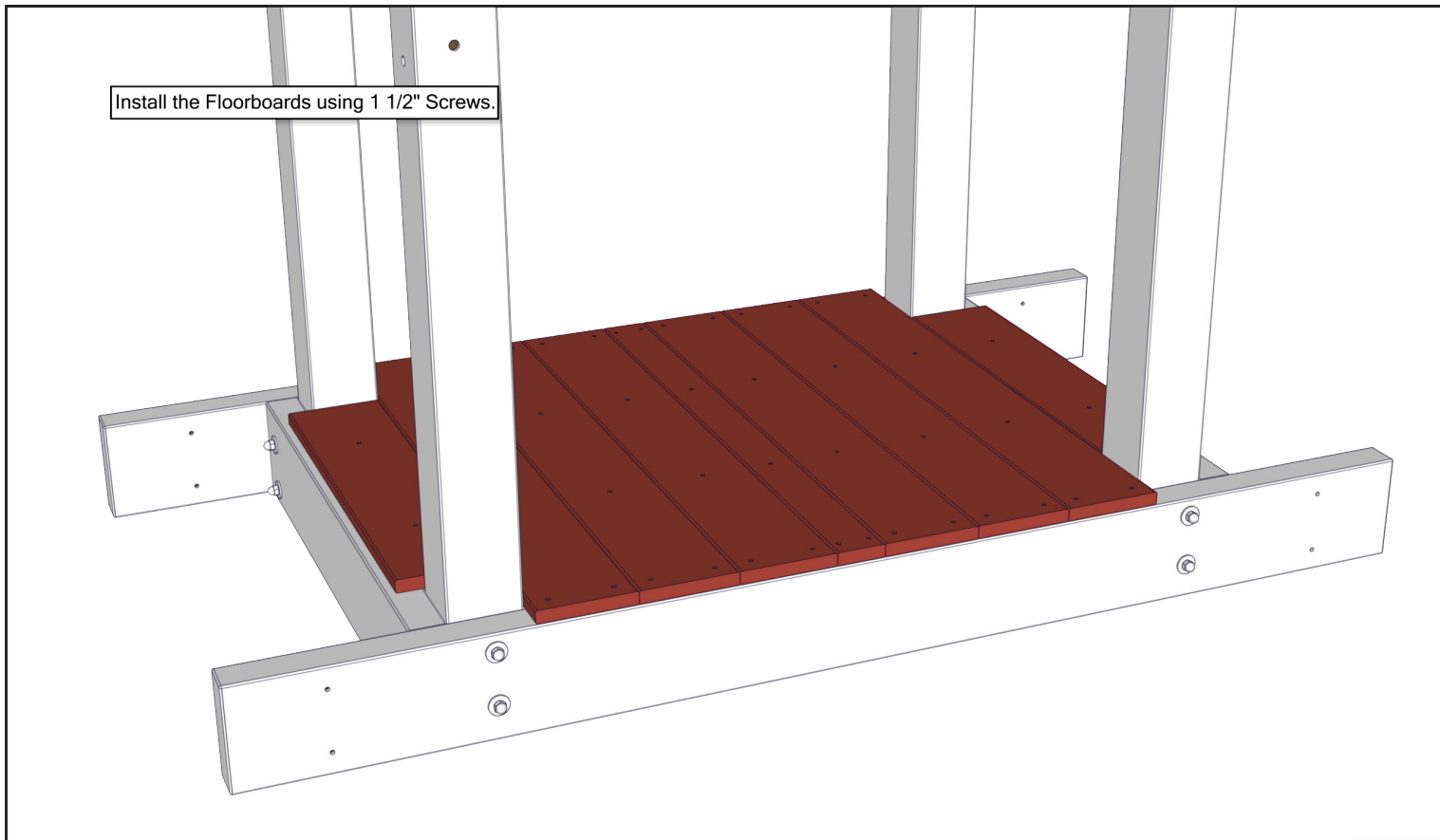
Place the 67" 2x6's on the outside.



STEP 7

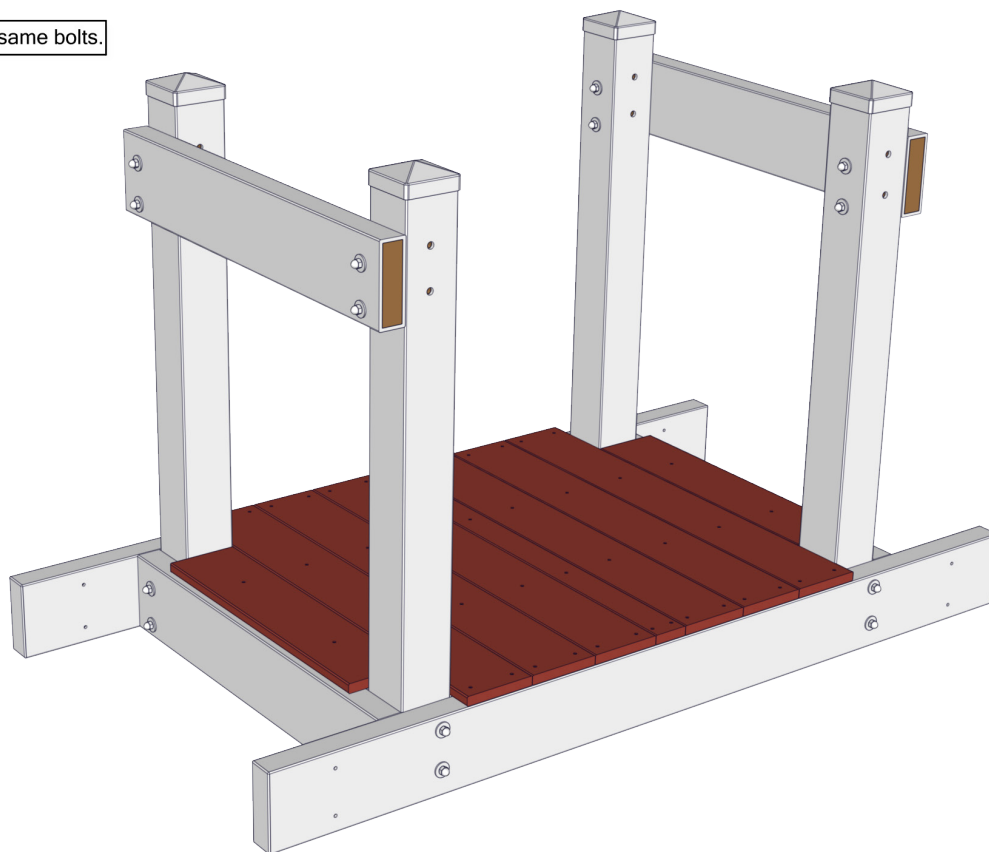


STEP 8



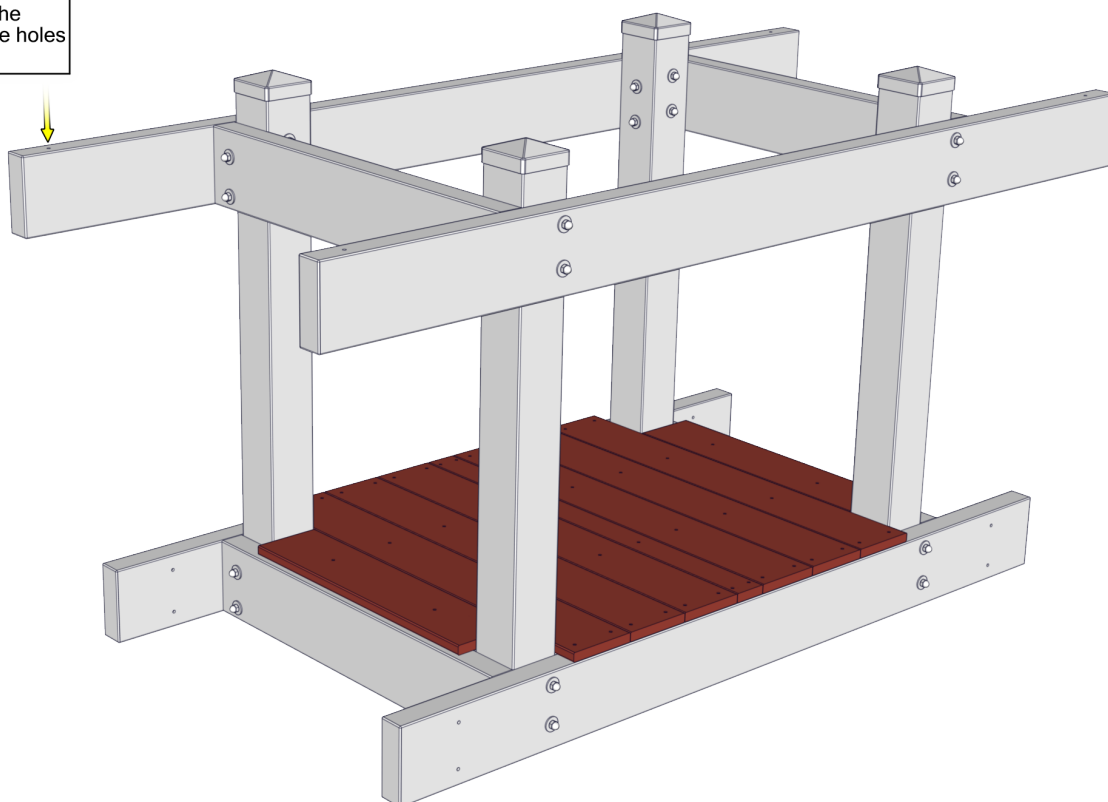
STEP 9

Install the 32" 2x6's using the same bolts.



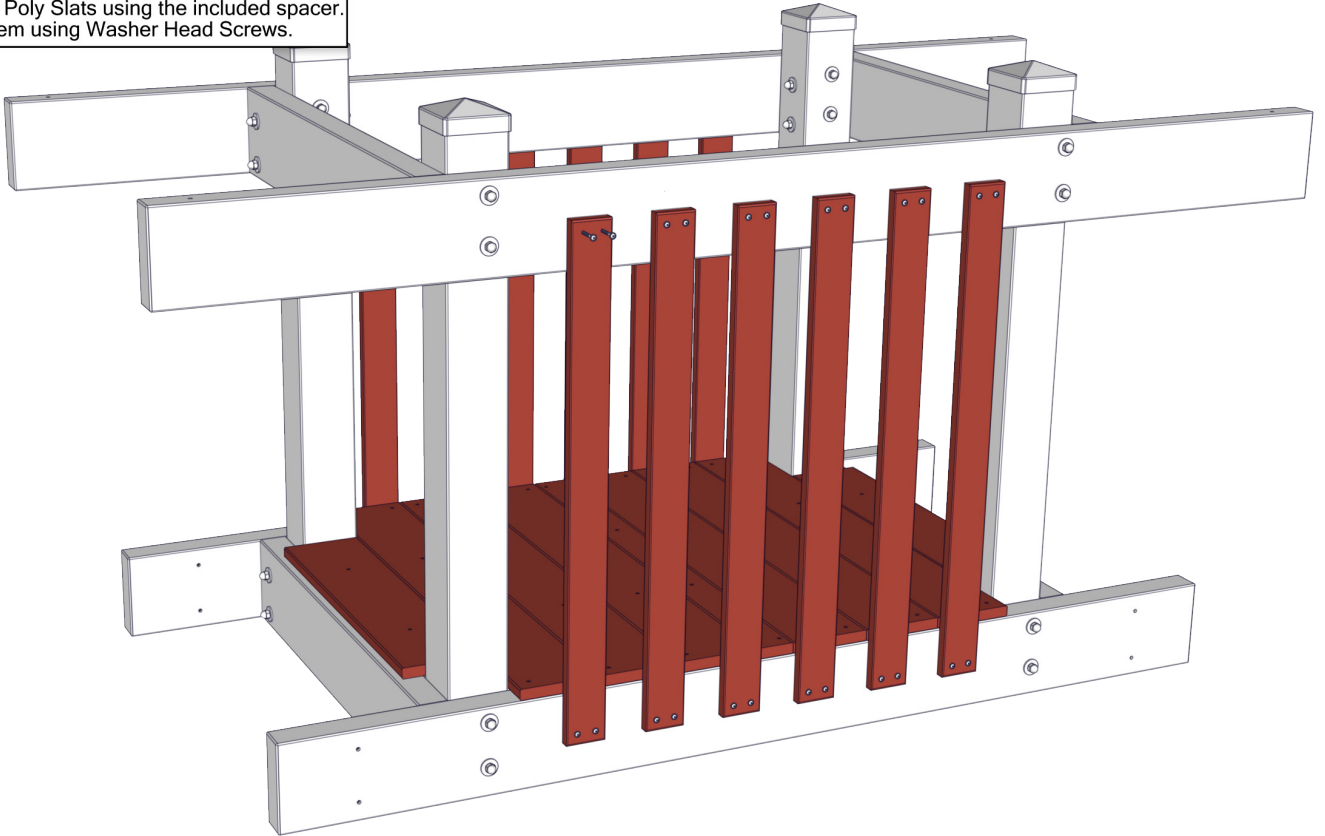
STEP 10

Install the 80" outside 2x6's. These are predrilled on the top side. Make sure those holes are facing up.



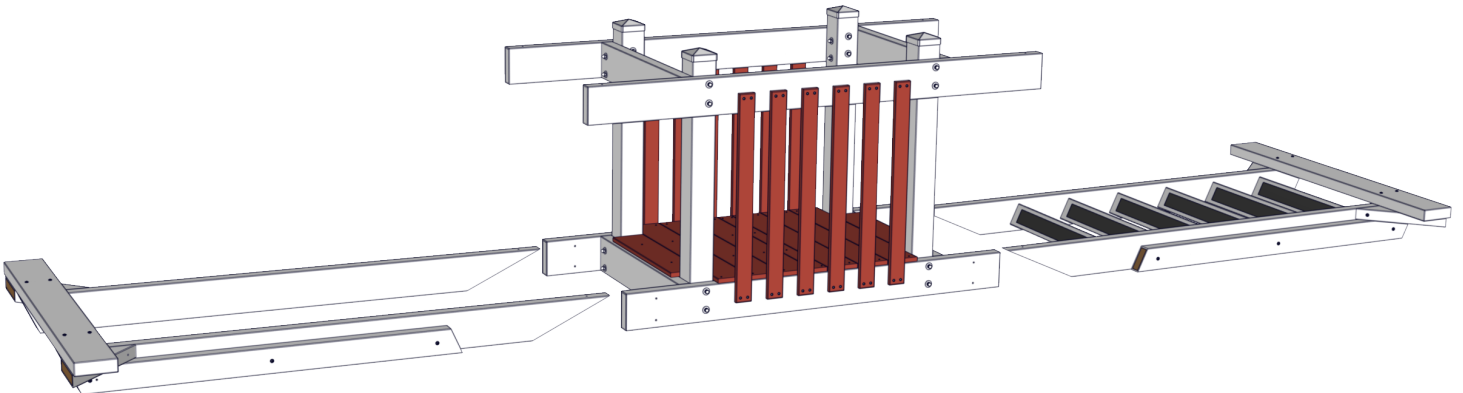
STEP 11

Install the Poly Slats using the included spacer. Fasten them using Washer Head Screws.



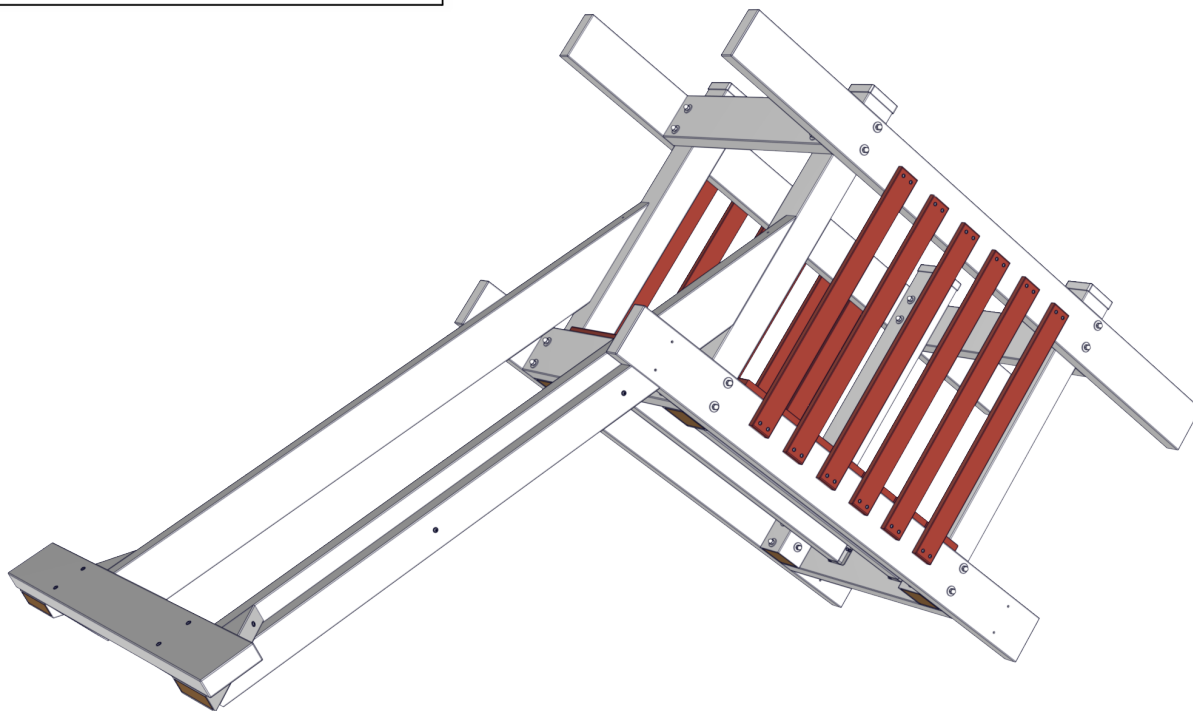
STEP 12

Line up the Legs with the Deck as shown.



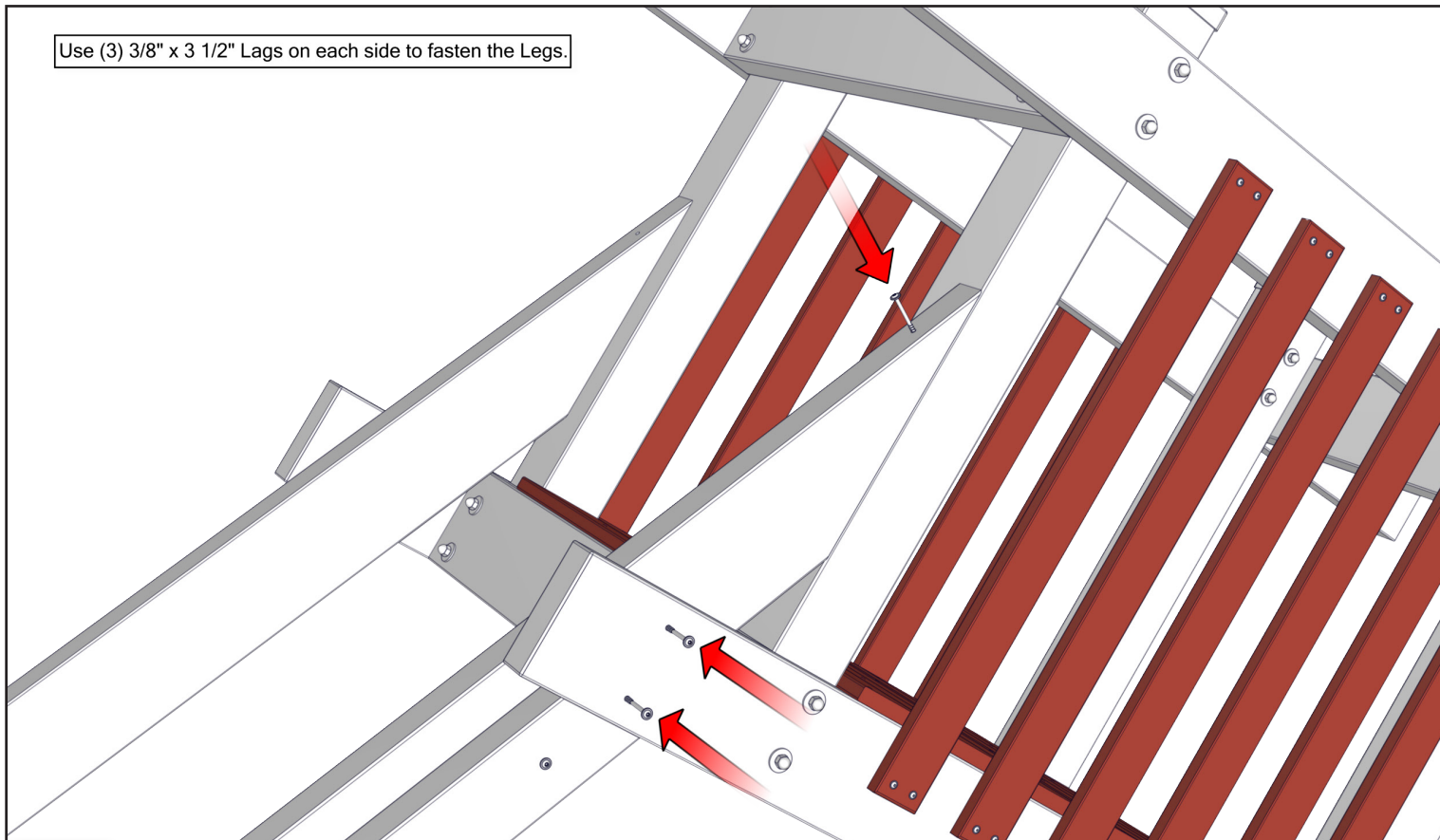
STEP 13

Lift up one side of the Deck and place the Legs underneath.



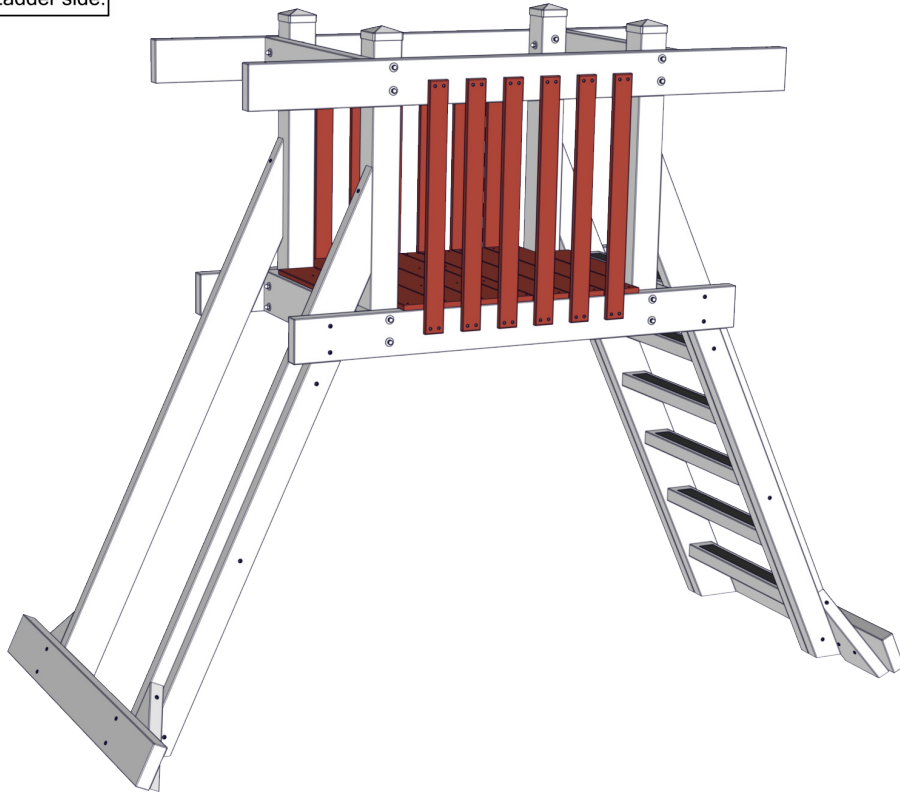
STEP 14

Use (3) 3/8" x 3 1/2" Lags on each side to fasten the Legs.



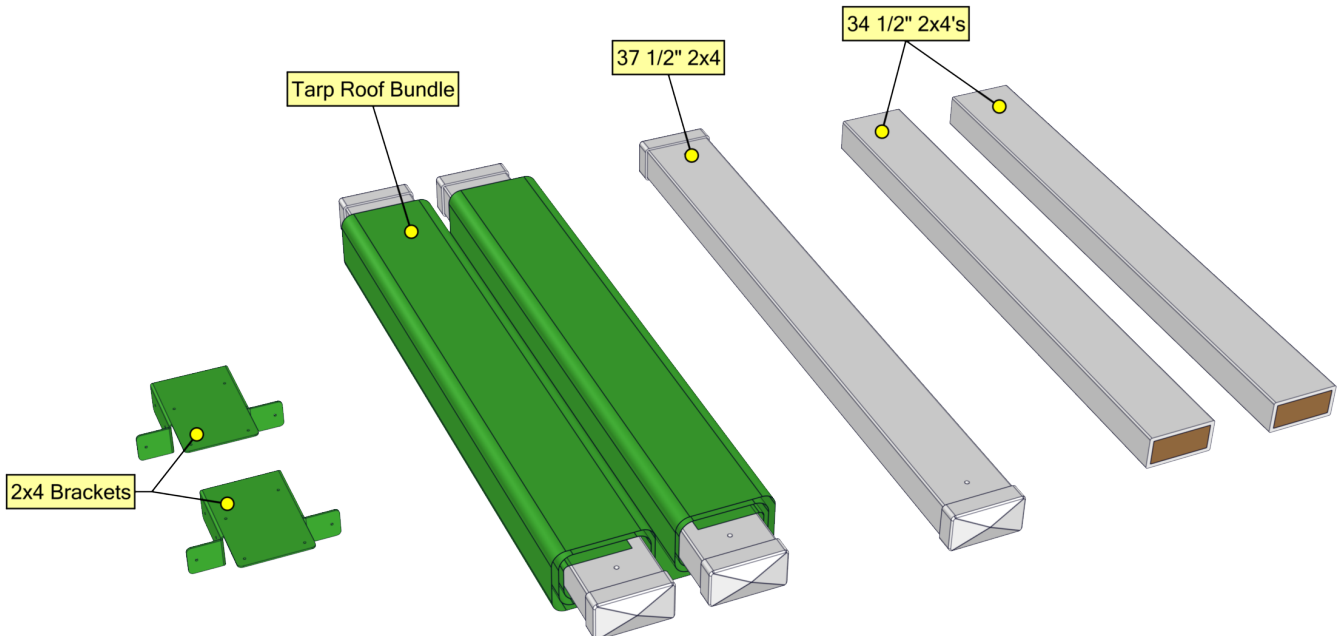
STEP 15

Repeat the process to install the Ladder side.



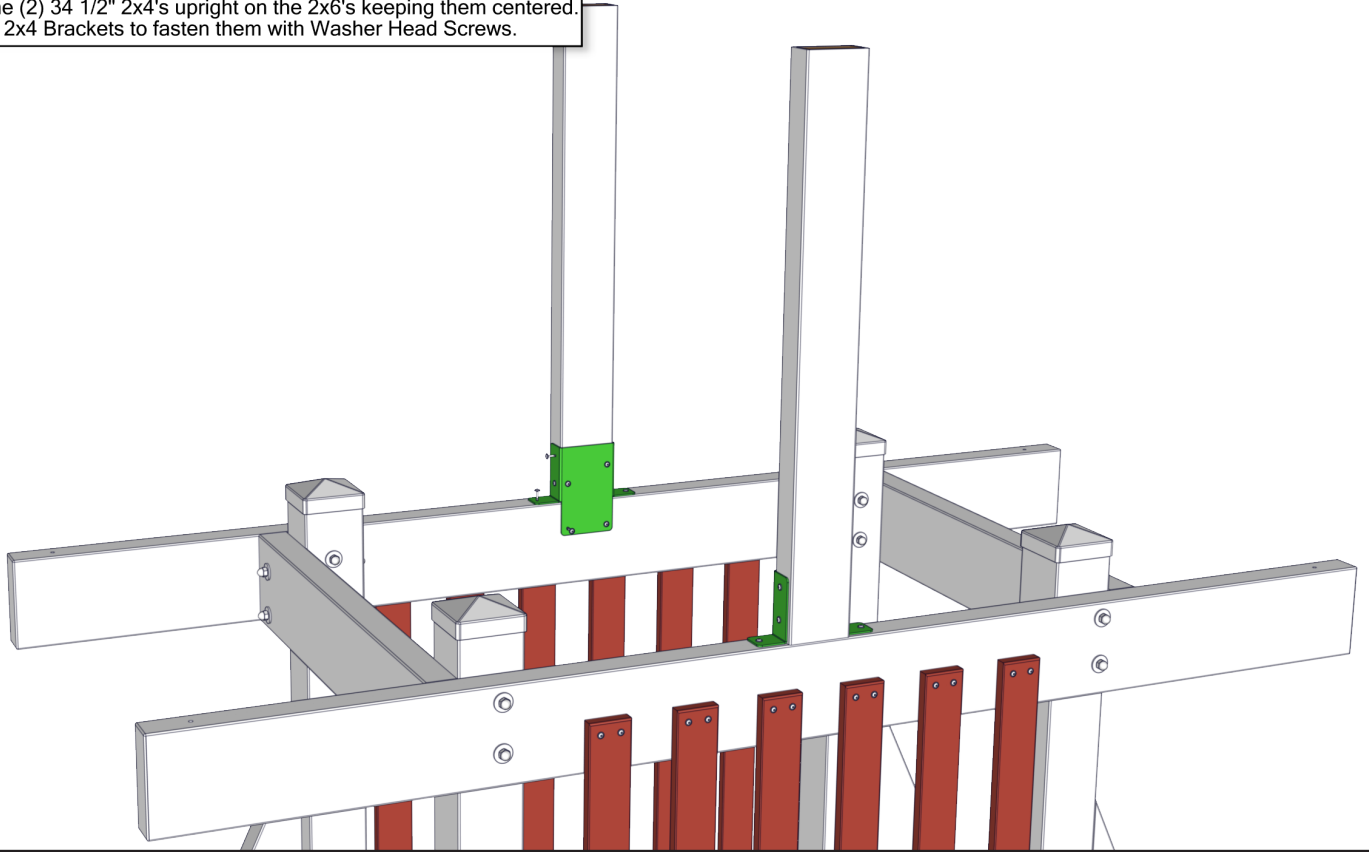
STEP 16

Find these pieces to assemble the roof.



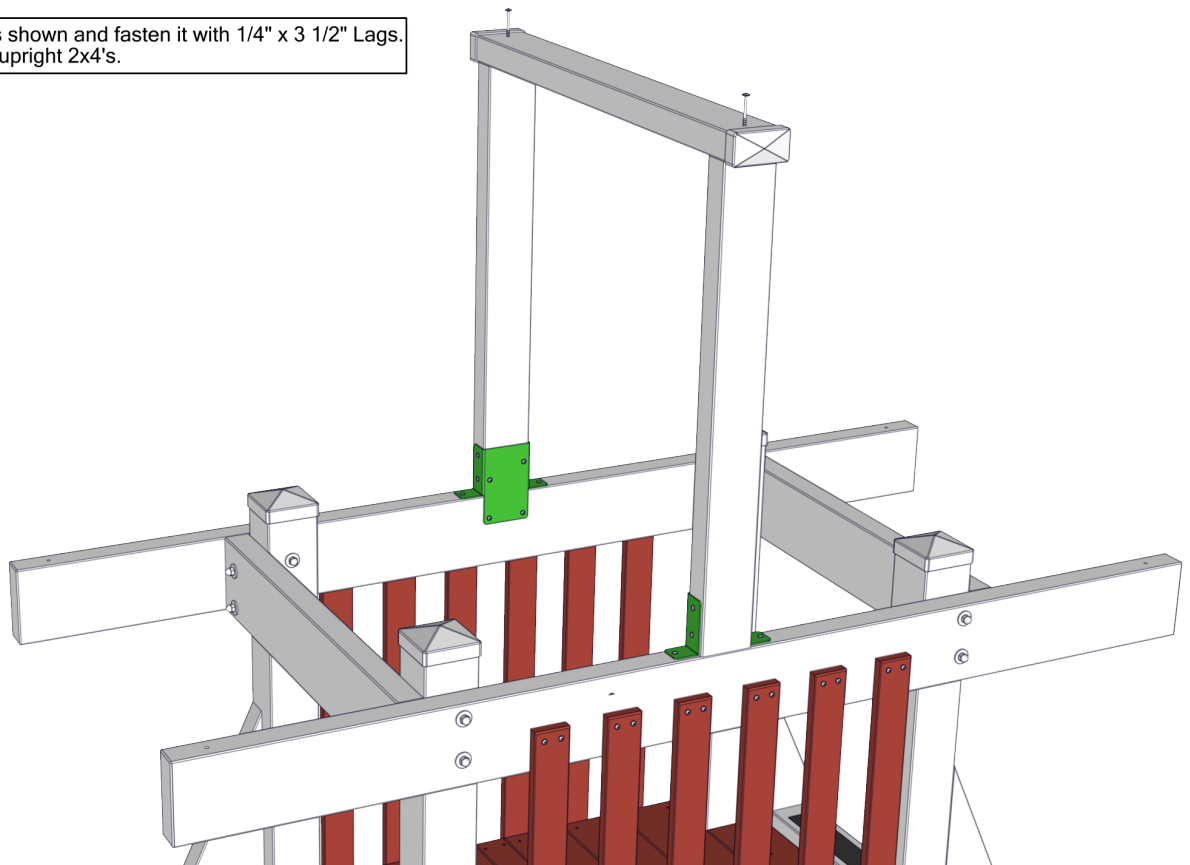
STEP 17

Place the (2) 34 1/2" 2x4's upright on the 2x6's keeping them centered. Use the 2x4 Brackets to fasten them with Washer Head Screws.



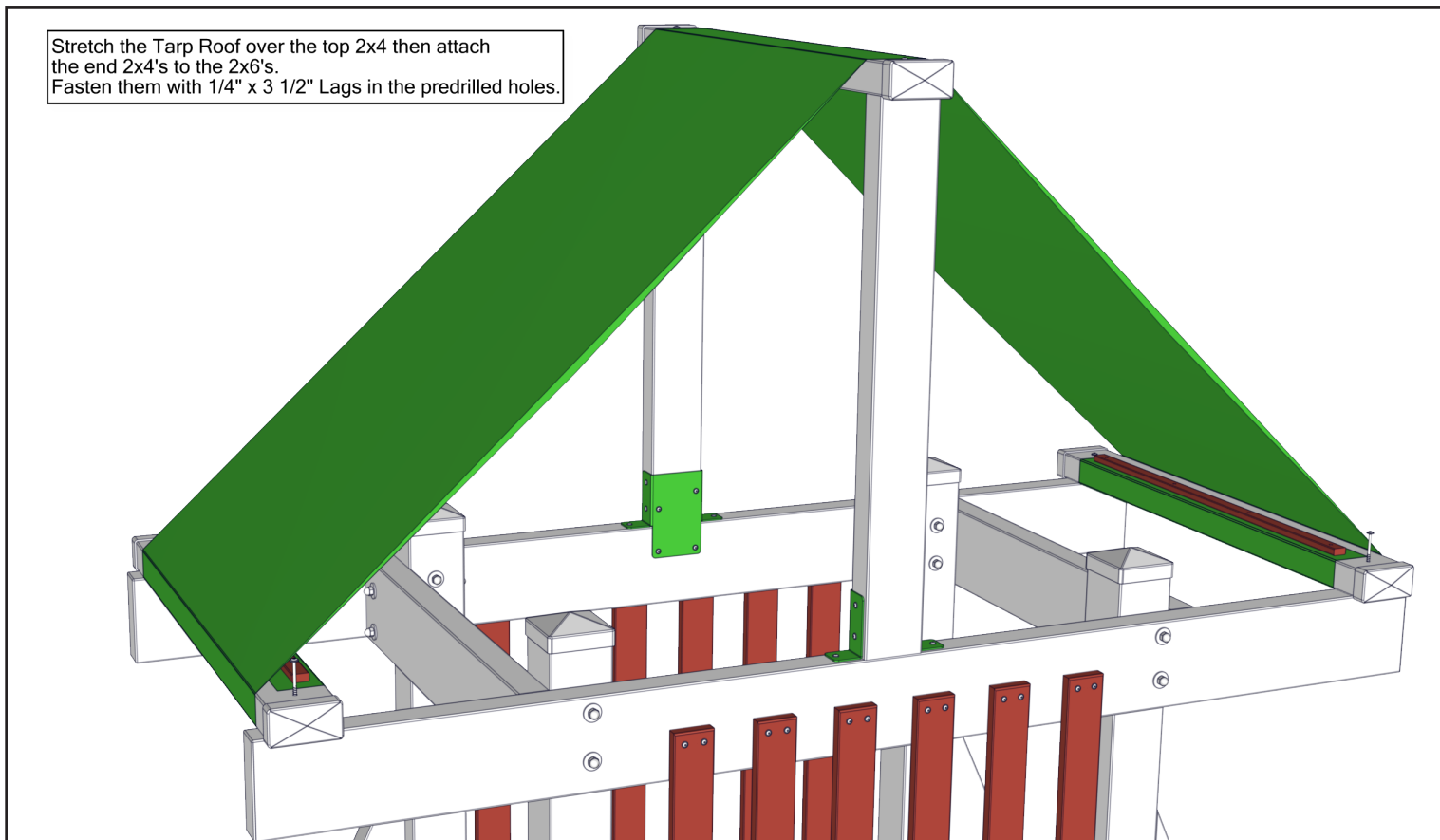
STEP 18

Place the 37 1/2" 2x4 as shown and fasten it with 1/4" x 3 1/2" Lags. Keep it centered on the upright 2x4's.

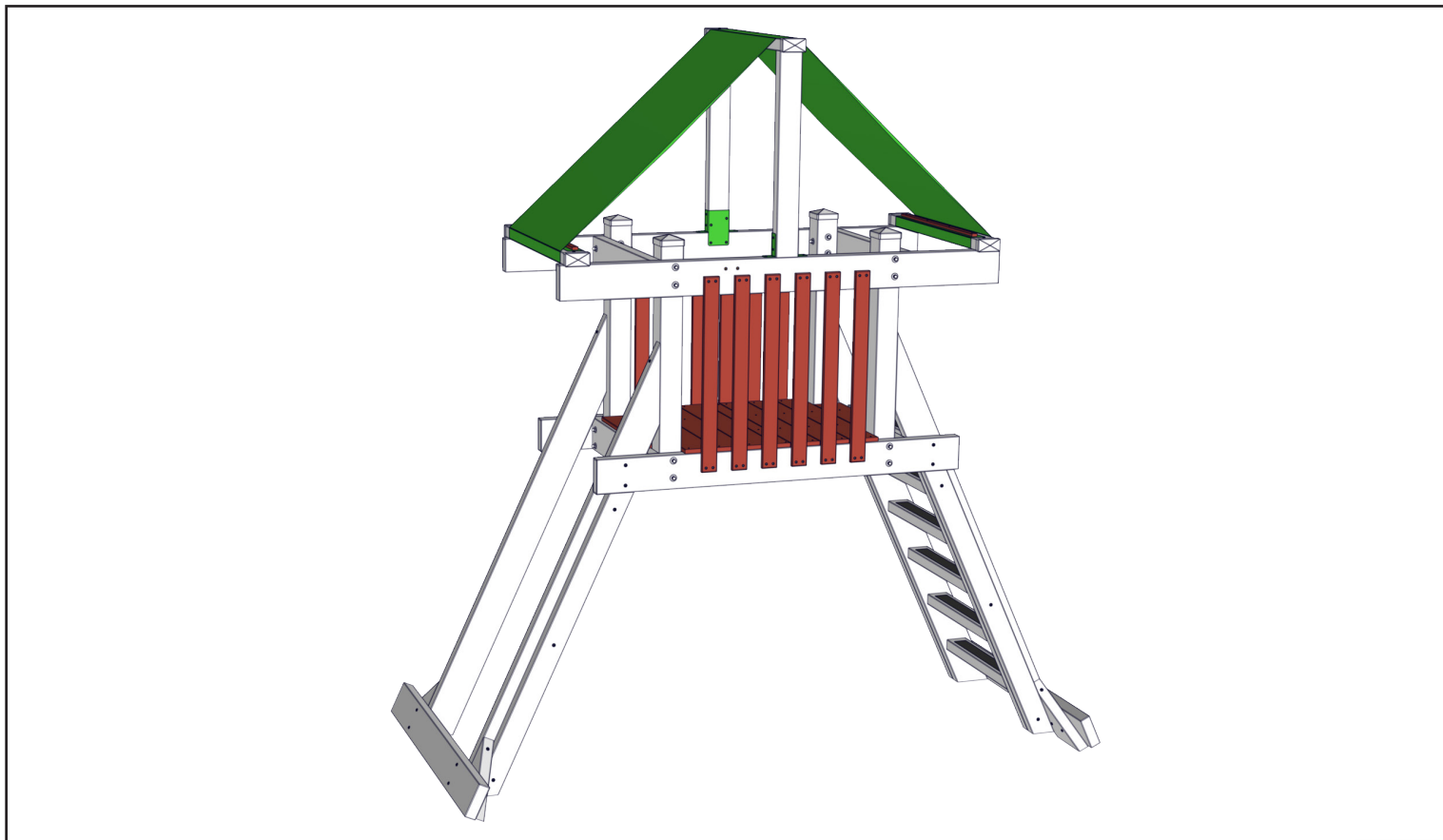


STEP 19

Stretch the Tarp Roof over the top 2x4 then attach the end 2x4's to the 2x6's. Fasten them with 1/4" x 3 1/2" Lags in the predrilled holes.

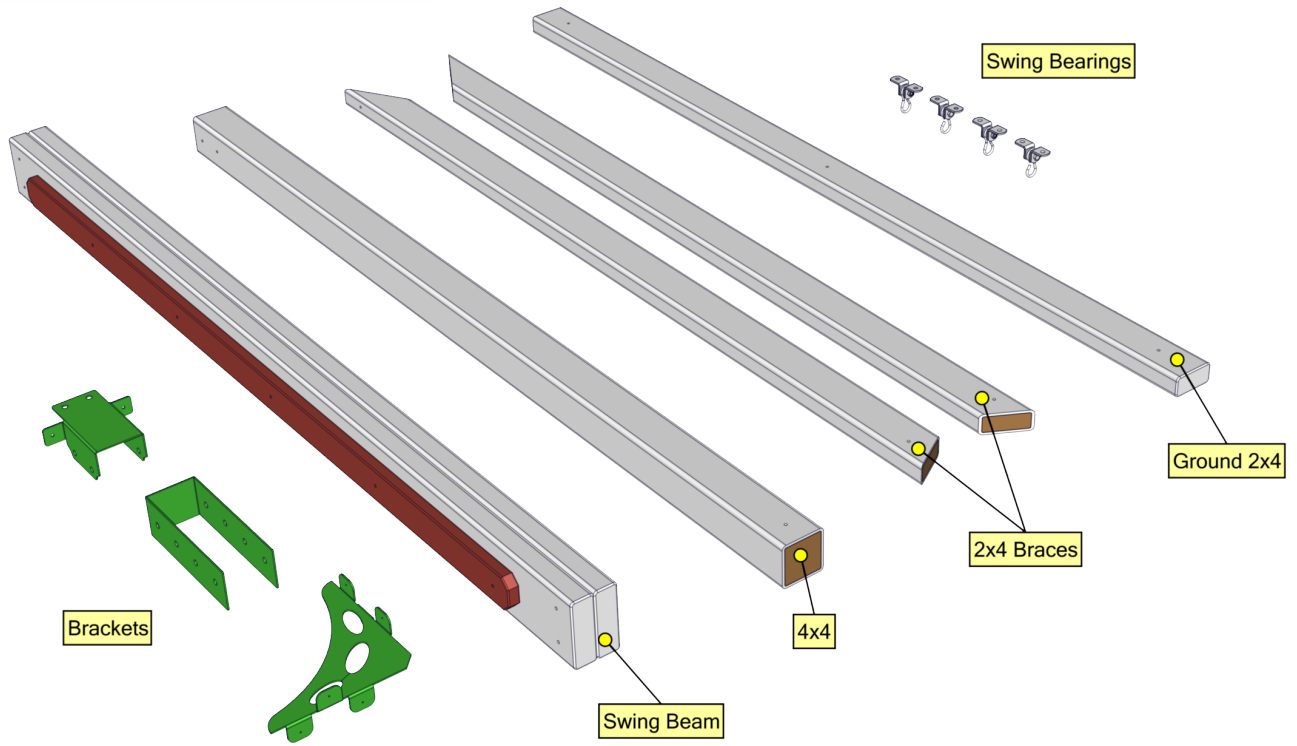


STEP 20



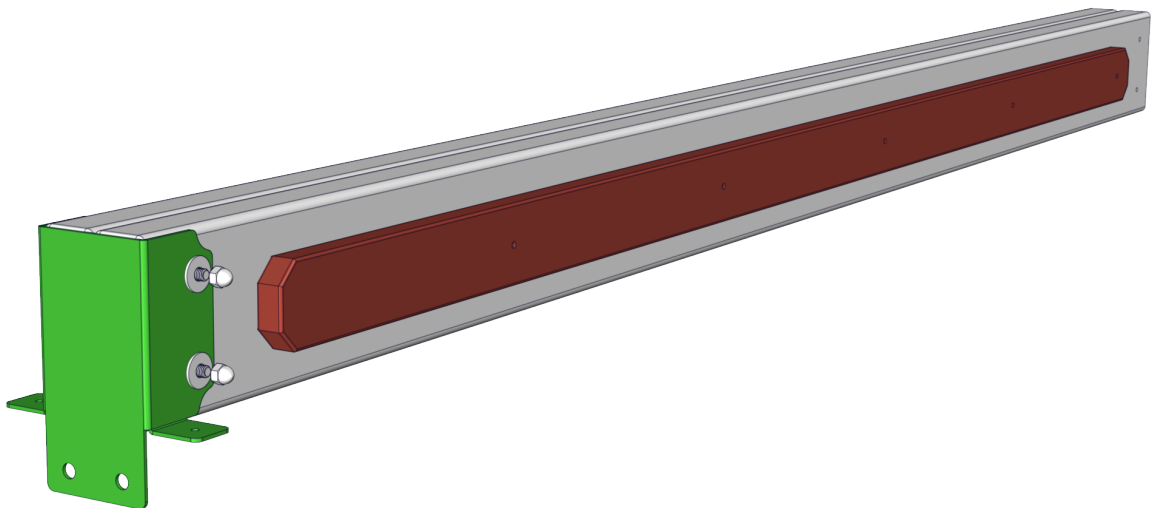
STEP 21

Start with these pieces to assemble the Swing Frame.



STEP 22

Install the Swing Beam Bracket on the end of the Swing Beam using 4 7/8" bolts.

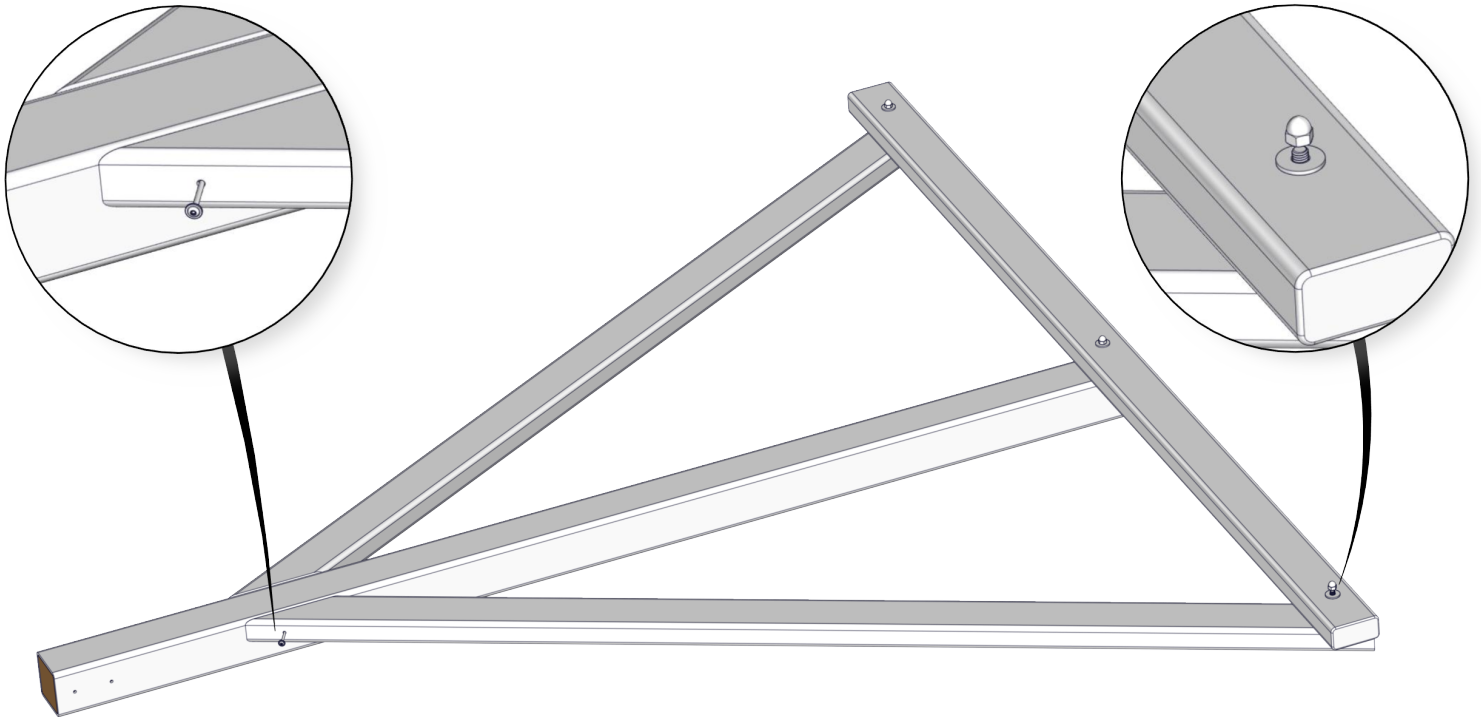


STEP 23

Install the Swing Bearings using the Lags included with the swing beam.

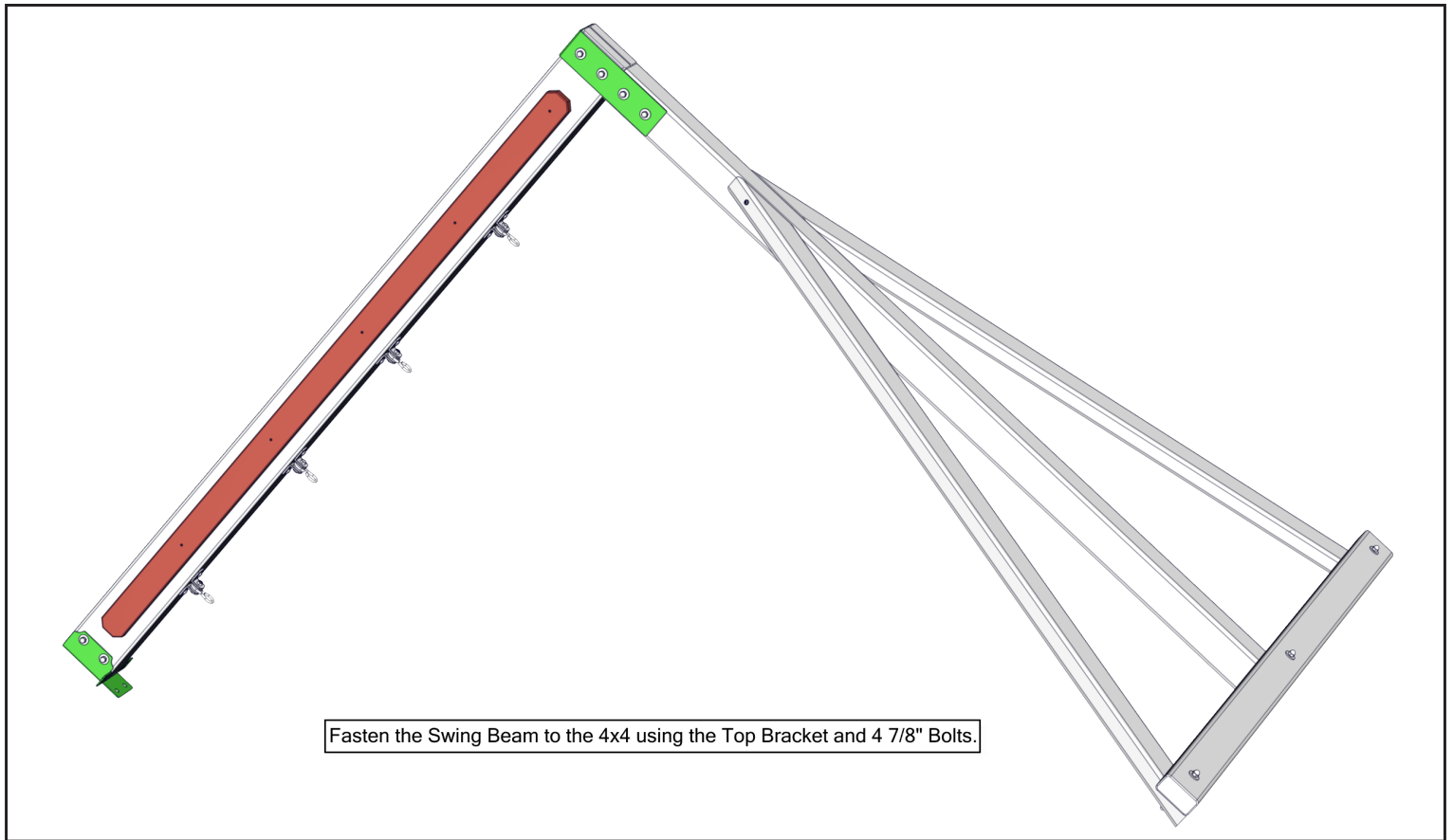


STEP 24

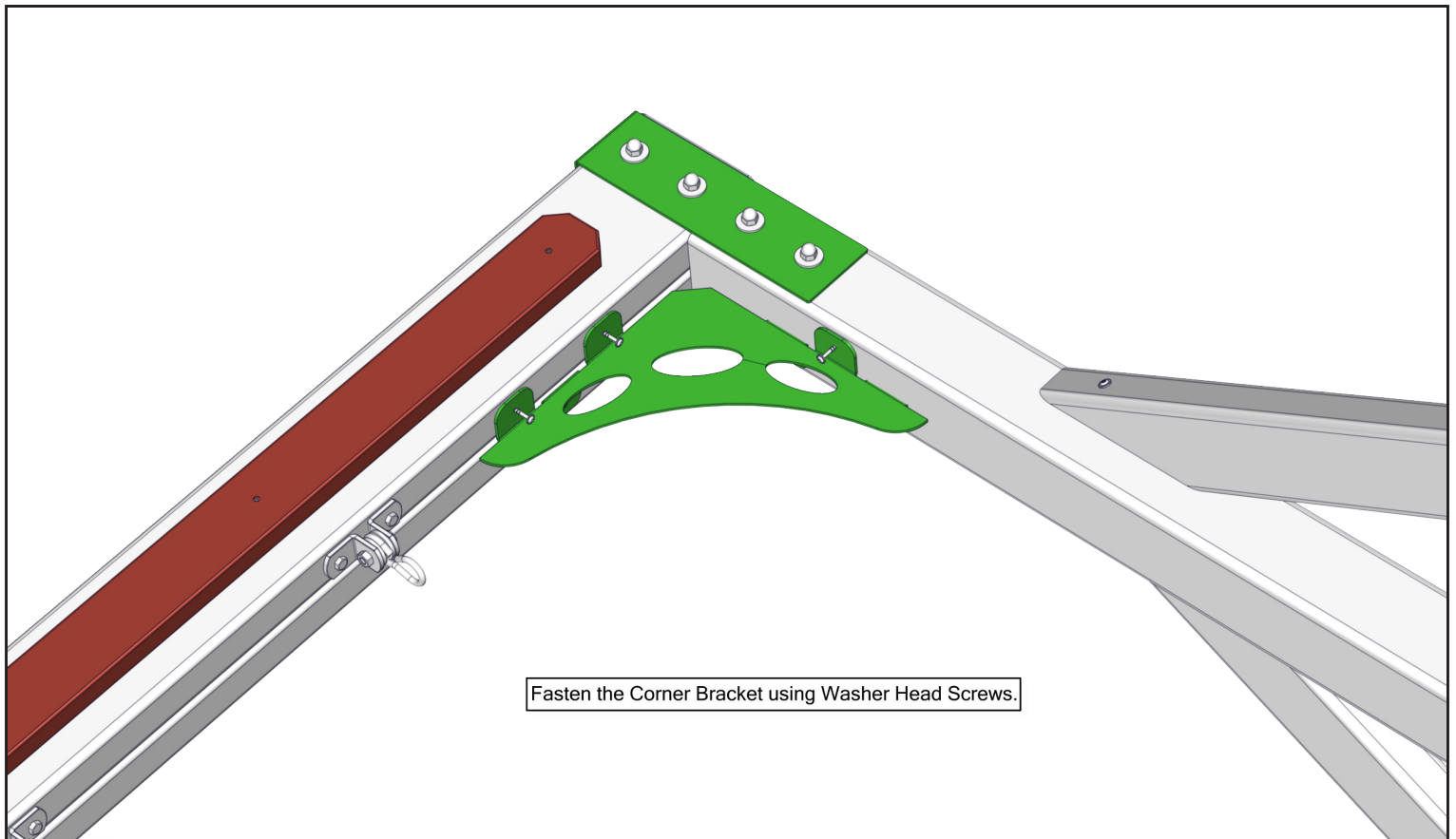


Assemble these pieces as shown.
Use 4" Hex Lags to fasten the 2x4 Braces to the 4x4.
Use (1) 6 7/8" Bolt and (2) 4 7/8" Bolts to fasten the Ground 2x4.

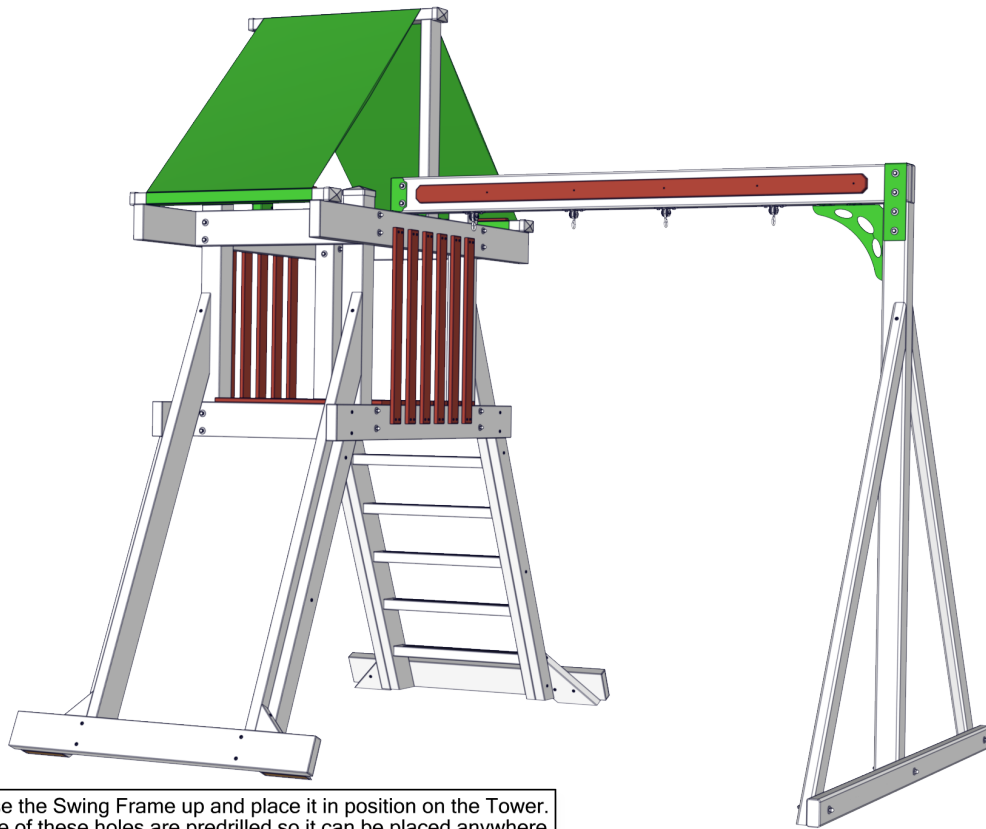
STEP 25



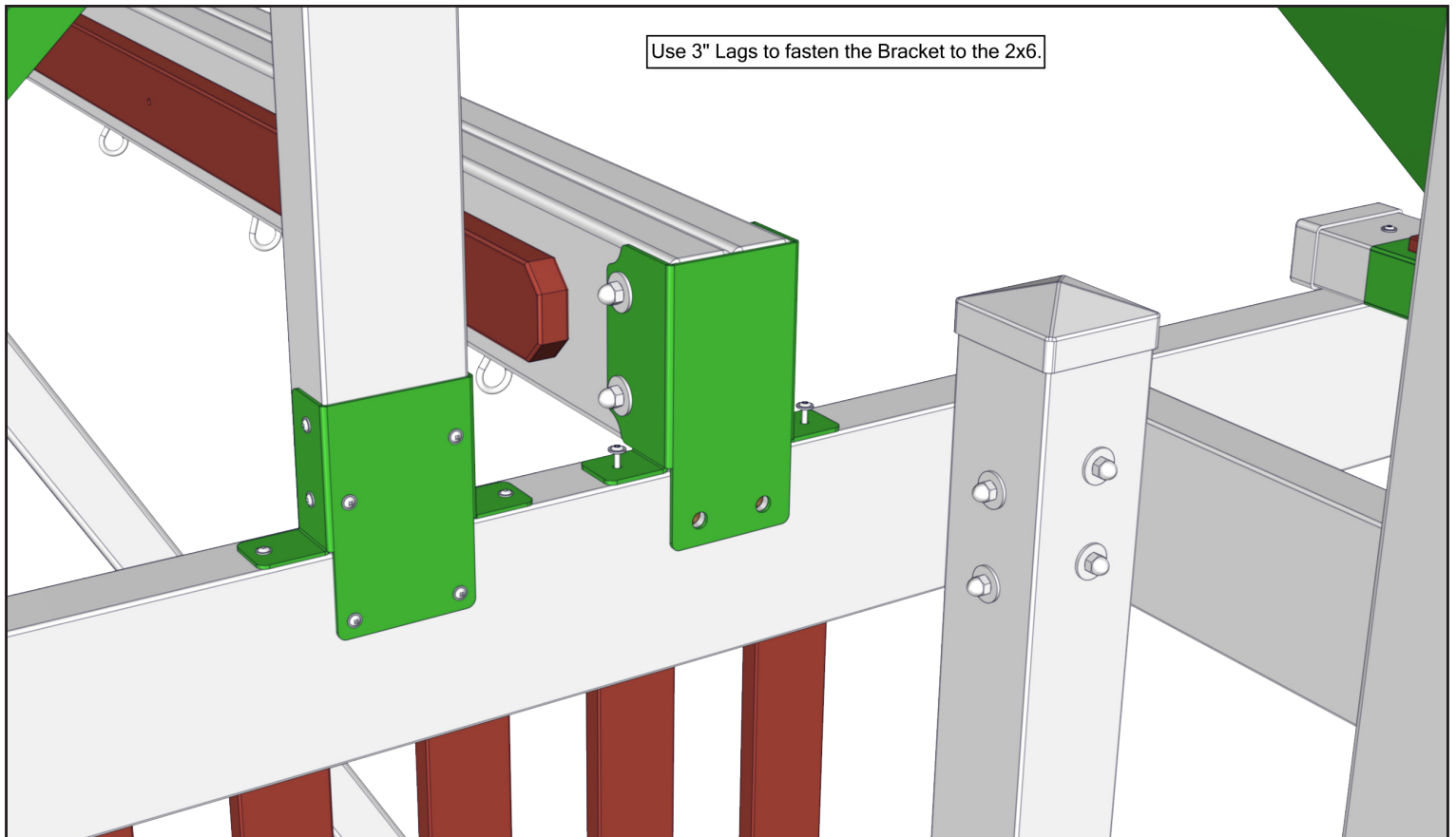
STEP 26



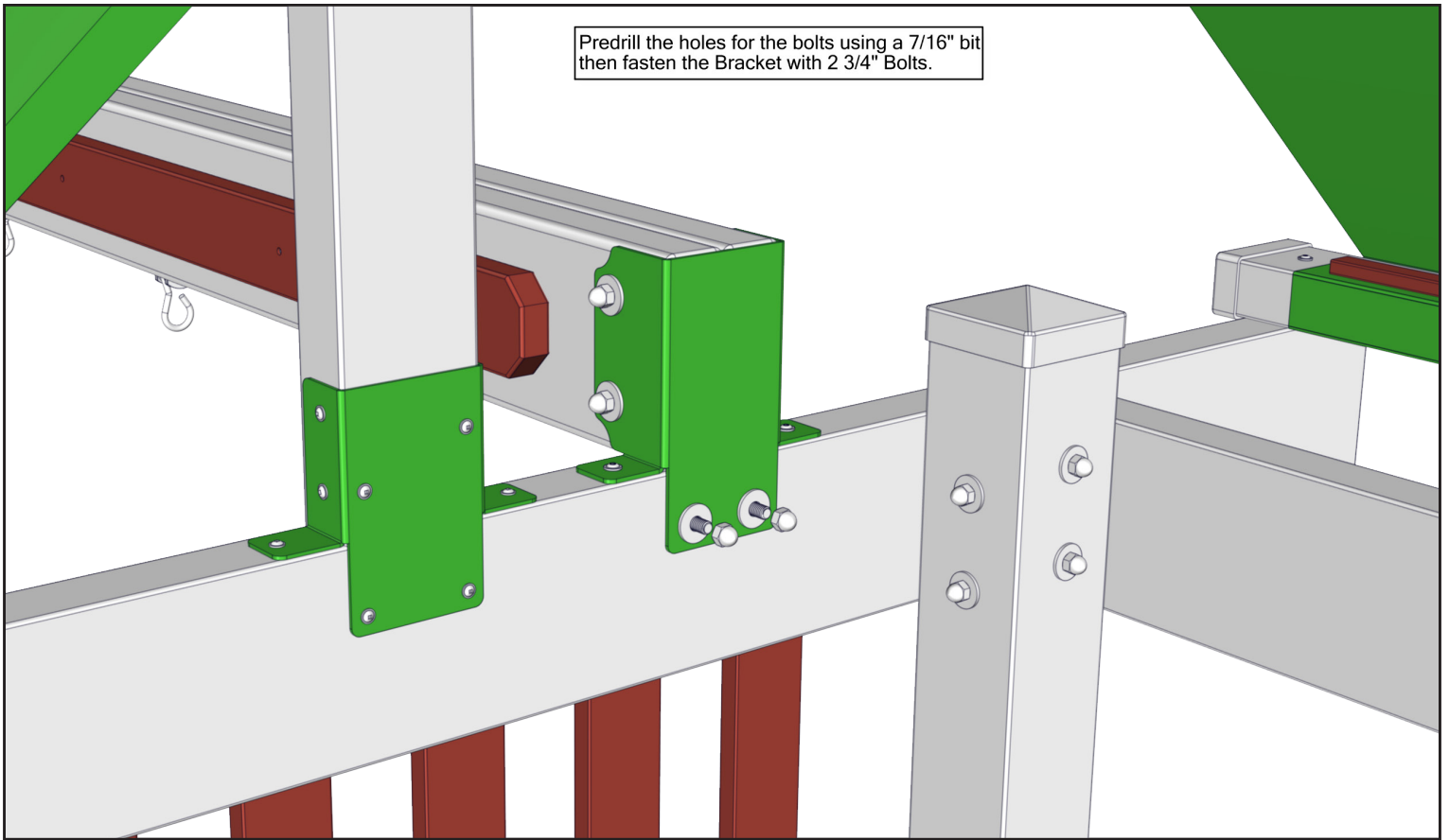
STEP 27



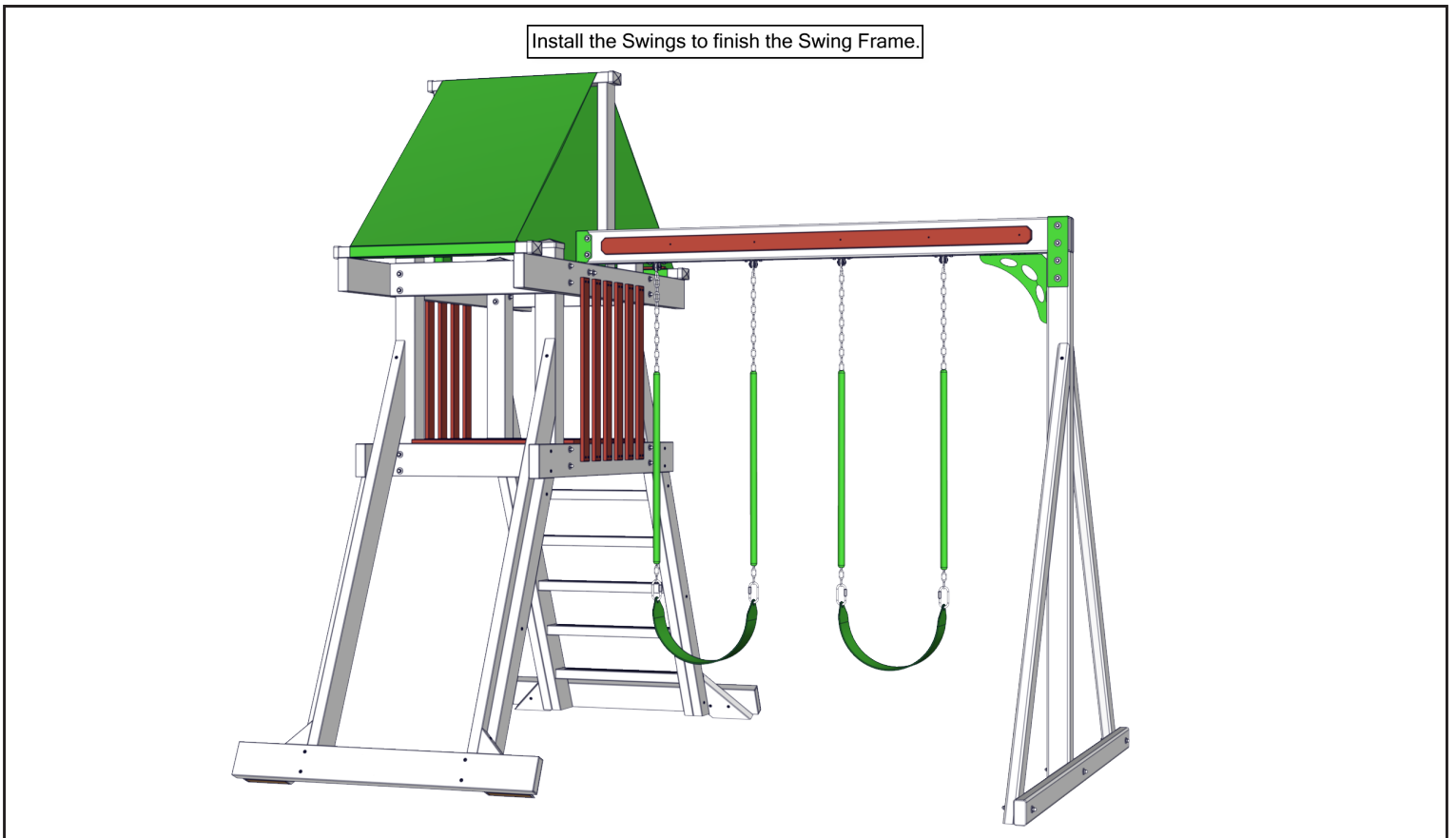
STEP 28



STEP 29



STEP 30



STEP 31

Install the slide and fasten it to the deck with Washer Head Screws.



STEP 32

Once the Playset is assembled use the included Stakes to keep it in place. Use 6 Stakes and fasten them to the Playset legs and Swing Frame using Washer Head Screws.

