

# 12x12 Wood Pavilion



# Assembly Manual

# Wood Pavilion Assembly Manual

Congratulations on purchasing your new Wood Pavilion. Thank you for your purchase and welcome to the YardCraft Family.

This manual is designed to simplify the assembly process, however we recommend having an experienced carpenter involved in the project. Please read through the entire manual before starting!

The Pavilion put together for this manual was a 12x12 Wood Pavilion. This manual can also be used for other sizes. It took 2 men, approximately 8 hours using the tools shown. However, it may take you longer since it will be a new project for you.

Take a deep breath and get at it; the satisfaction and enjoyment of this Gazebo is only a few hours away. Have fun!

You have purchased a product that consists of heavy, bulky pieces. With your purchase, you assume full responsibility to have the necessary manpower and/or equipment available to unload the items. You also agree that any damage that happens to the equipment, product, or individuals during the unloading process, or during the entire construction process, is your responsibility, and neither the seller, nor the manufacturer, will be held liable for any such damage.

## Tools Required for Job (Not Included)



Two 6'  
Step  
Ladders



Cordless  
Drill



25' Tape  
Measure



Utility  
Knife



Ratchet  
with  $\frac{5}{8}$ " &  
 $\frac{5}{16}$ " Socket



Hammer  
Drill



Hammer



Speed  
Square



$\frac{3}{16}$ " Concrete  
Drill Bit



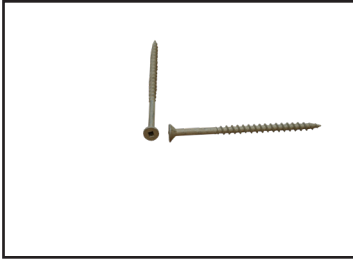
$\frac{1}{4}$ " Hex  
Drive Bit for  
Metal



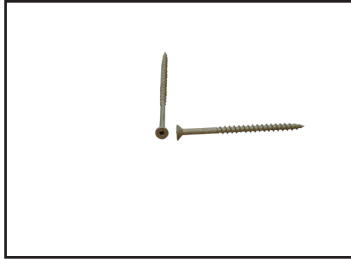
### Questions? Issues with Damaged or Missing Parts?

In order to best assist you, please contact YardCraft directly, NOT a third party retailer, with any questions regarding our products, damages, or replacement parts. This will help you get what you need as quickly as possible! Call us at 866-210-9273 or Email us at [info@yardcraft.com](mailto:info@yardcraft.com)!

# Parts List (Included)



(325) 2 1/2" Screws



(36) 2" Screws



(98) 1 1/4" Black Head Screws



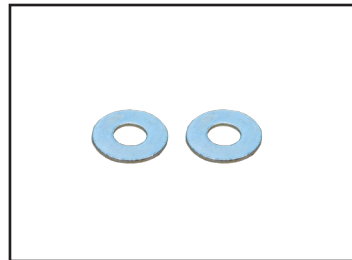
(34) 1/4"x3" Black GRK Screws



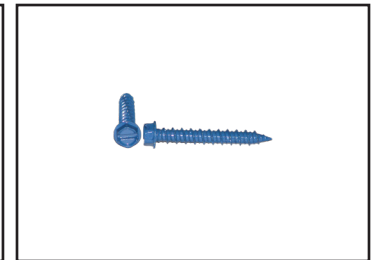
(16) 5" Star Drive Screws



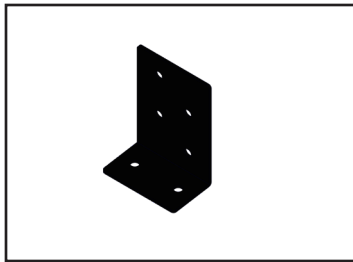
(17) 3/8"x6" Lags



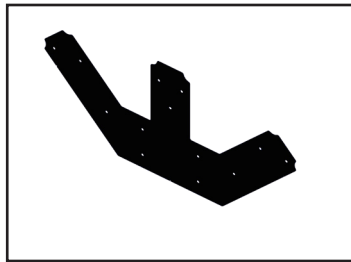
(17) 3/8" Washers



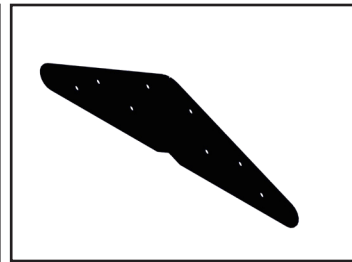
(18) Tapcon Anchoring Screws



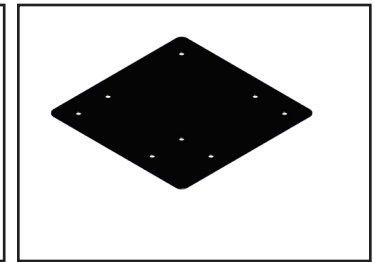
(8) Post Base Bracket



(2) Gable Web Brackets



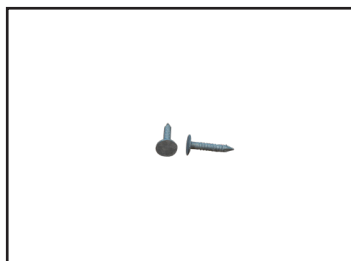
(5) Rafter Assembly Brackets



(4) Top of Post Brackets



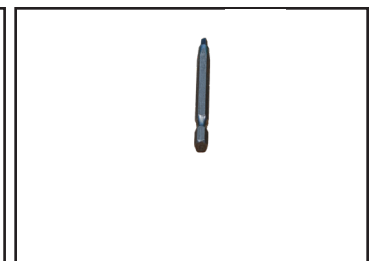
3/4" Painted Washer Head Screws



3/4" Nails



5/16" Wood Drill Bit



Square Drive Bit

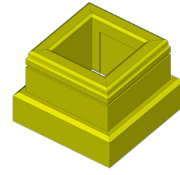


Star Drive Bit

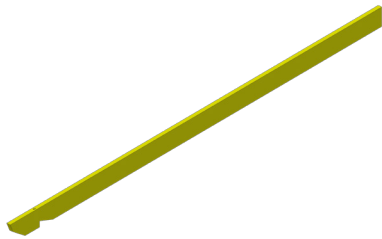
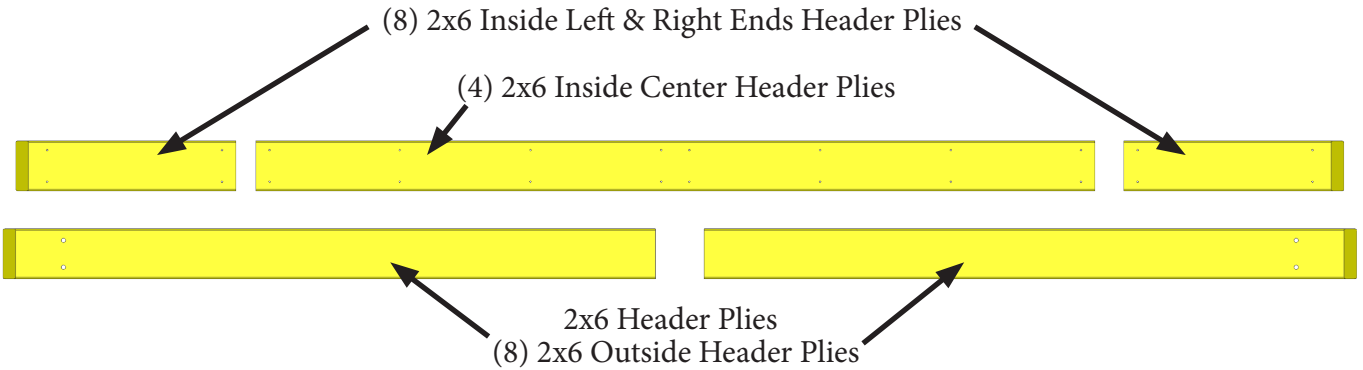
# Parts List



(4) 5x5 Treated Glu-Lam Post



(4) Post Base Trim



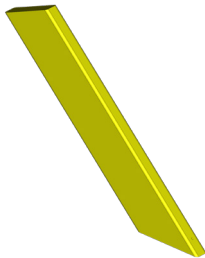
(14) 2x4 Rafters



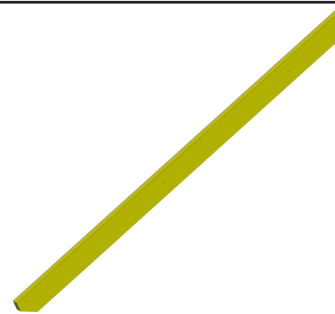
(5) 2x4 Collar Ties



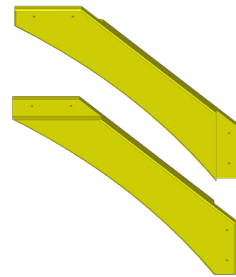
(2) 2x6 Double Web Post



(4) 2x6 Web Brace



(4) 5/4" x 6" Gable Rafter Trim



(4) Left Side & (4) Right Side Braces



(16) 5/4" x 6" Roof Lath



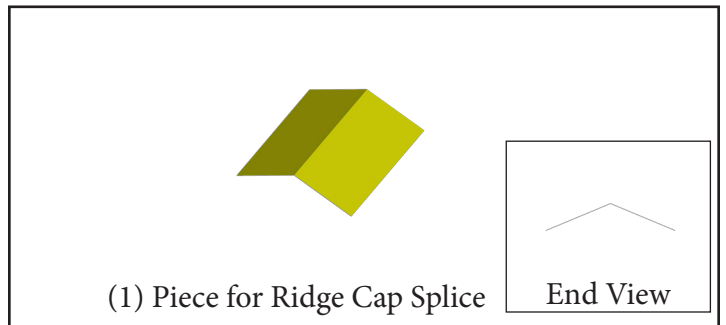
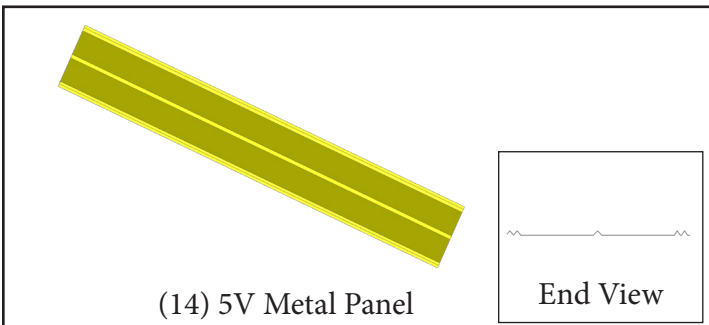
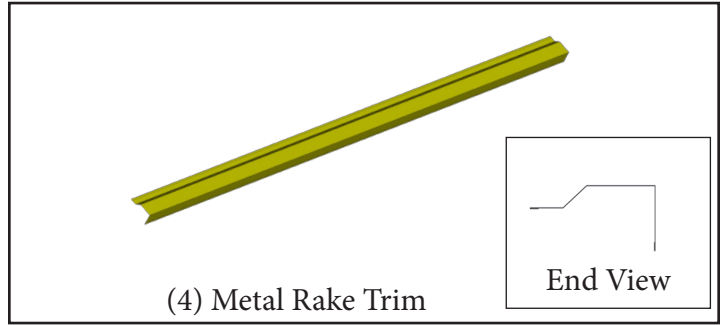
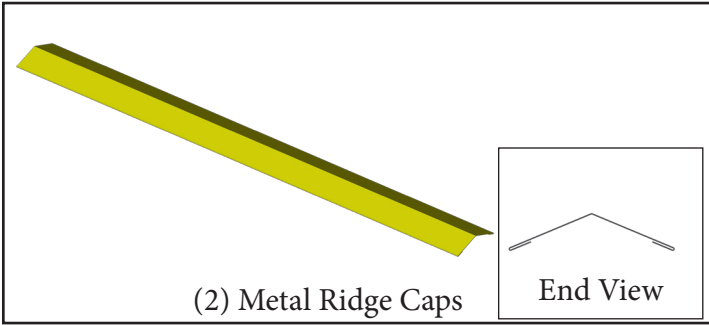
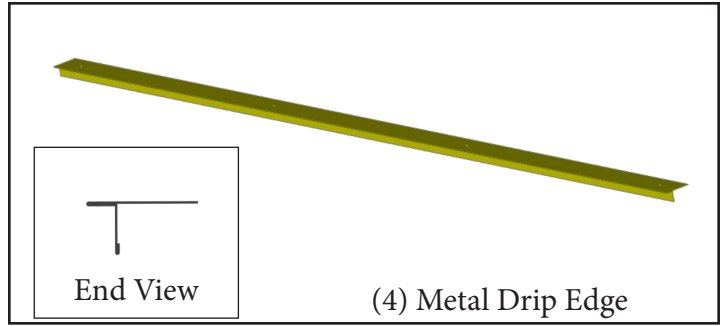
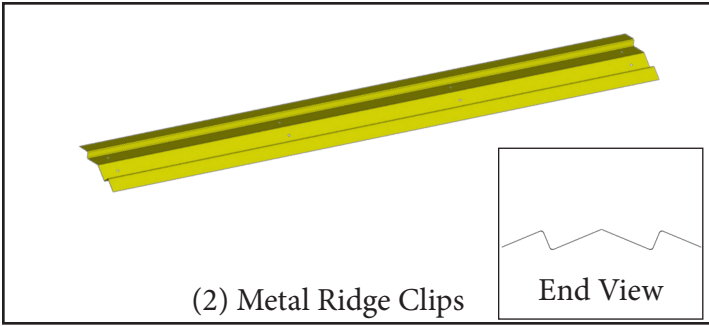
(2) Spacer Blocks for Rafters  
21.72"



(2) Spacer Blocks for Roof Lath  
20"



# Parts List

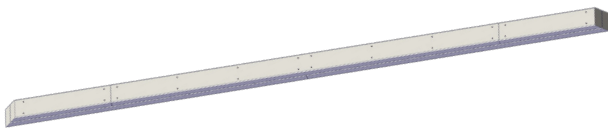


Step # 1

Set your Gazebo Package as close to the building site as possible.

Remove protective shrink wrap. Do not unwrap until you are ready to build. Keep dry and protected until you are ready to assemble the Gazebo.

Step # 2



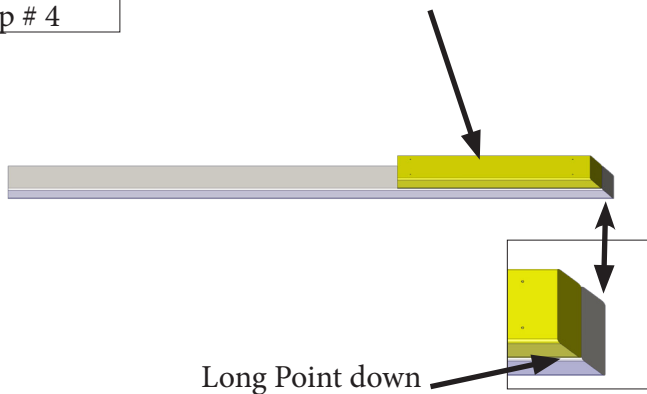
Step # 3



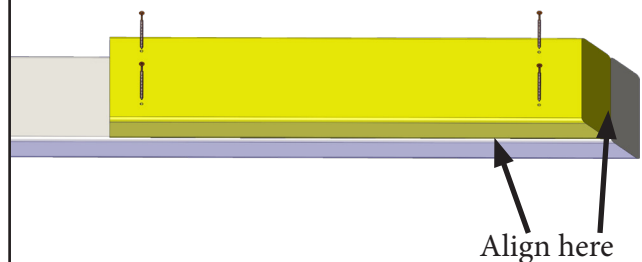
Start by assembling the 2x6 Headers.

Lay one 2x6 Outside Header Ply on the ground. Be sure to lay all the parts on cardboard or other protective wrap top keep from getting scratch and damaged. Place with the long point of 45° cut down.

Step # 4



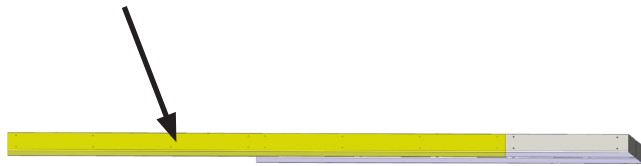
Step # 5



Place one 2x6 Inside Left & Right Ends Header Ply on top of the 2x6 Outside Header Ply. Place with the long point of 45° cut down.

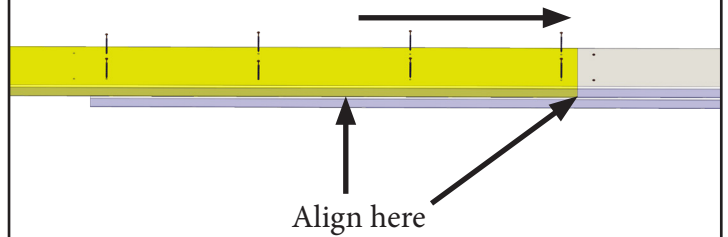
Align on top and bottom and the 45° cut. Fasten with 2 1/2" Screws through pre-drilled holes.

Step # 6



Place a 2x6 Inside Center Header Ply as shown.

Step # 7



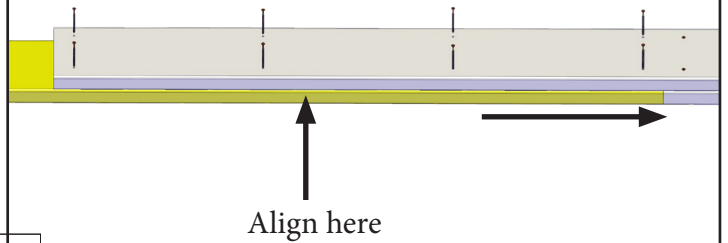
Align with the other plies and fasten with 2 1/2" Screws through pre-drilled holes.

Step # 8



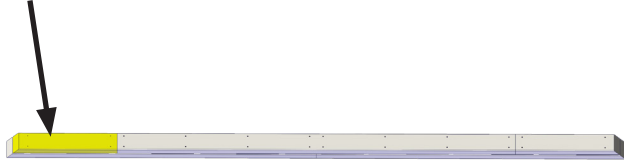
Place the second 2x6 Outside Header Ply under the Inside Center Header Ply.

Step # 9



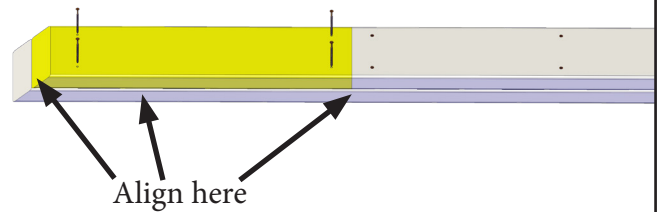
Align and fasten with 2 1/2" Screws.

Step # 10



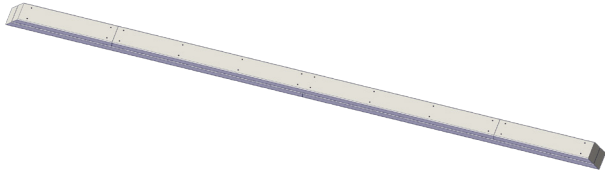
Place the second 2x6 End Header Ply as shown.

Step # 11



Align and fasten with 2 1/2" Screws through pre-drilled holes.

Step # 12



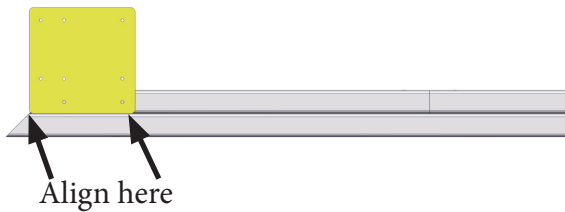
Step # 13



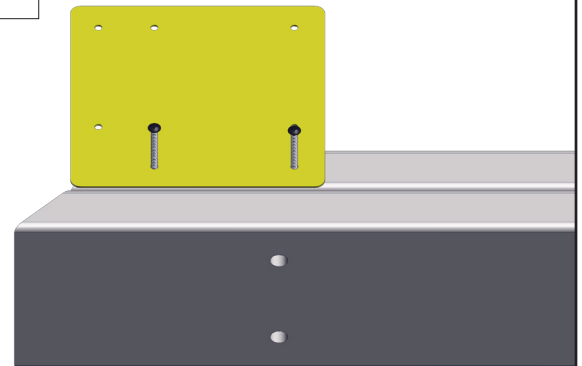
Header Assembly complete.  
Repeat steps 3 - 11 to assemble the rest of the Headers.  
You should have four Header Assemblies.

Place a Header Assembly on the floor as shown. Place a Top of Post Bracket on the one end.

Step # 14



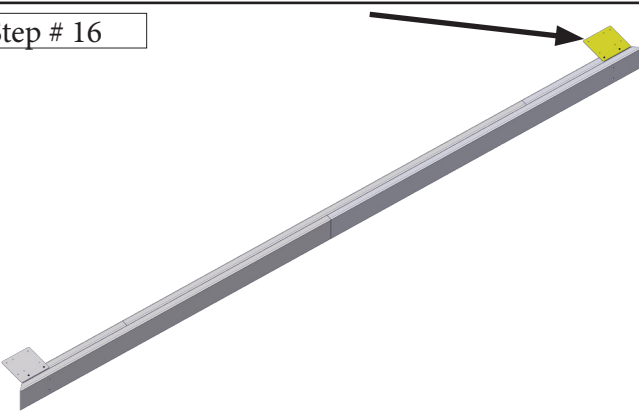
Step # 15



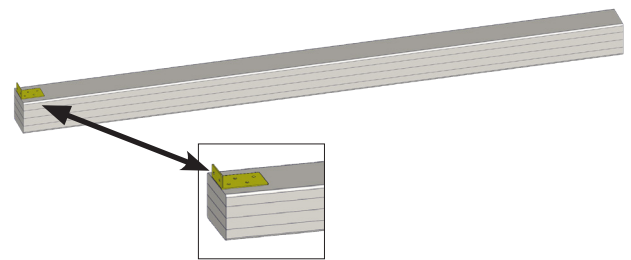
Align the Bracket with the Inside Header Ply.

Fasten Bracket to Header Assembly with two (2) 1 ¼" Black Head Screws through pre-drilled holes in the Bracket.

Step # 16



Step # 17

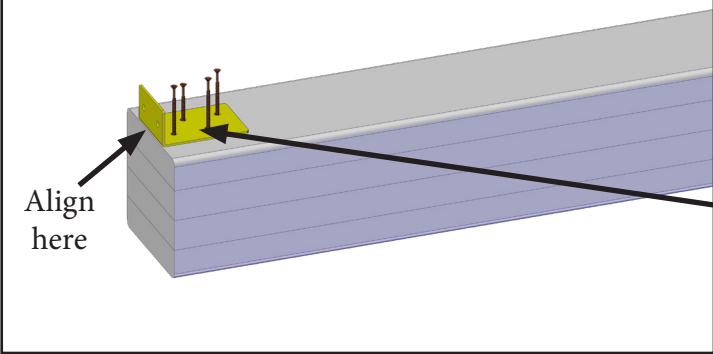


Repeat steps 13-15 to install the Top of Post Bracket on the opposite end of the Header Assembly.

Lay the 5x5 Post on the floor. Place one (1) Post Base Bracket on one end of the Post.

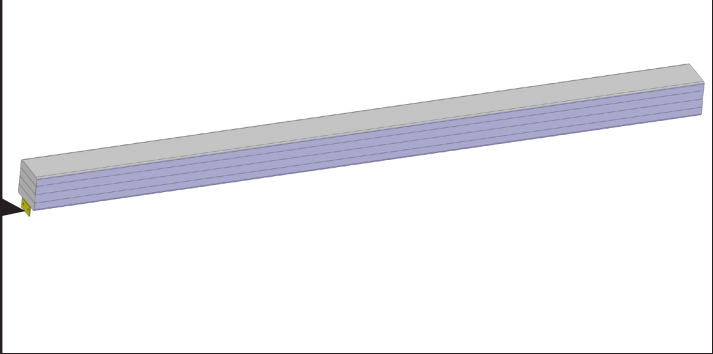


Step # 18



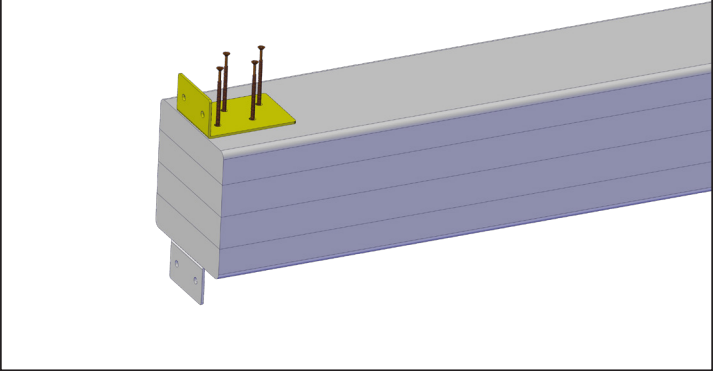
Align the Bracket with the end of the Post. Fasten Bracket to Post with four (4) 2 1/2" Screws.

Step # 19



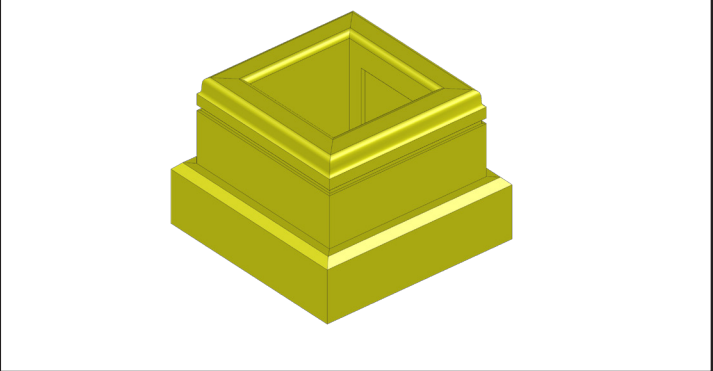
Turn the post over on the opposite side.

Step # 20



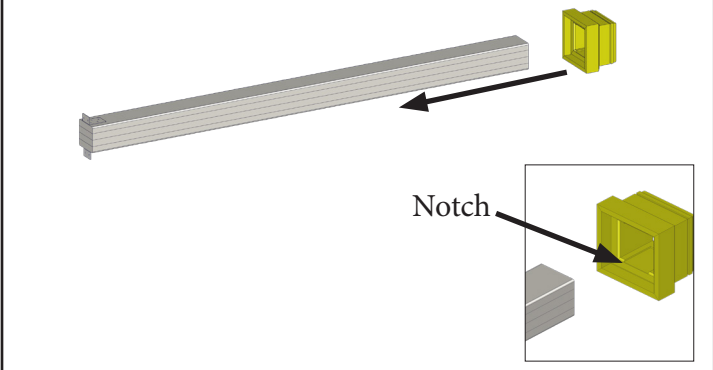
Place the second Post Base Bracket onto the Post opposite of the first Bracket. Fasten to Post with four (4) 2 1/2" Screws. Repeat steps xx-xx to install the Post Base Brackets on all the Post.

Step # 21



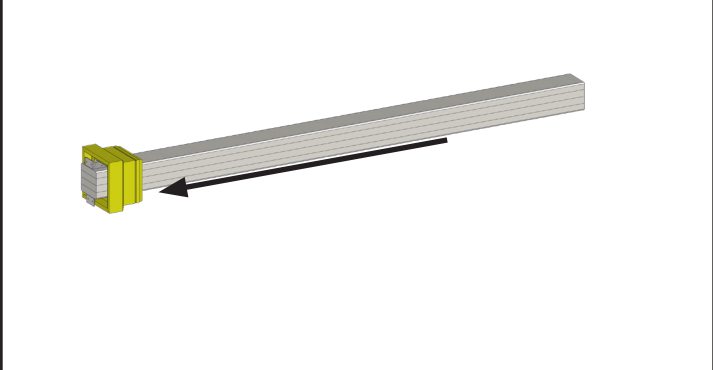
Locate the Post Base Trim.

Step # 22

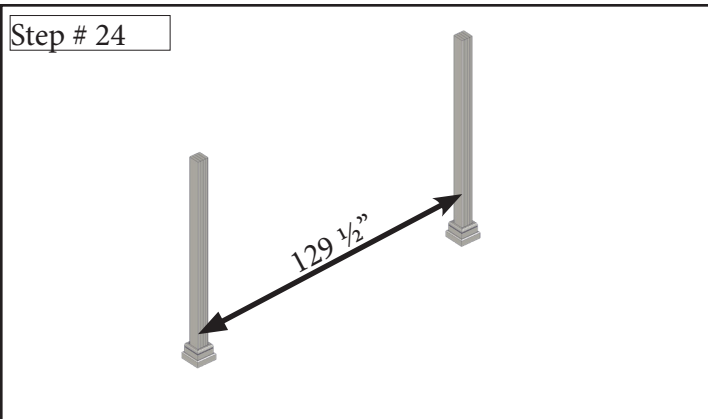


Slide the Post Base Trim onto the Post. Take note of the Notch in the Post Base Trim. This notch goes over the Post Base Bracket that was previously installed on the Post.

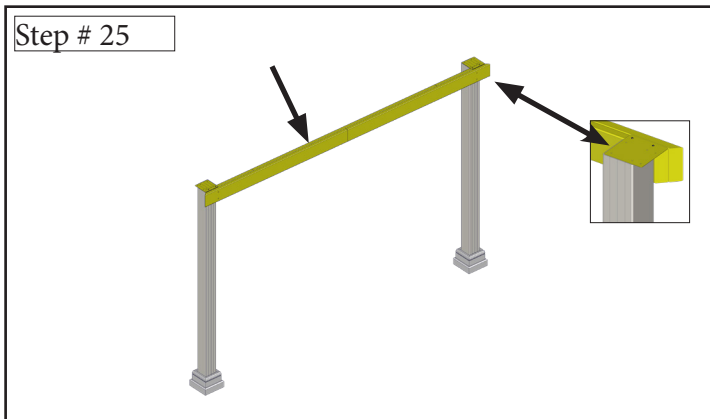
Step # 23



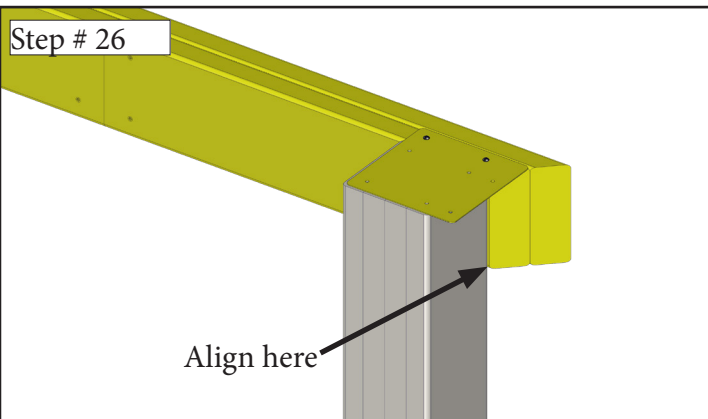
Slide the Post Base Trim all the way to the end of the Post. Repeat steps xx-xx to install the Post Base Trim on all Post.



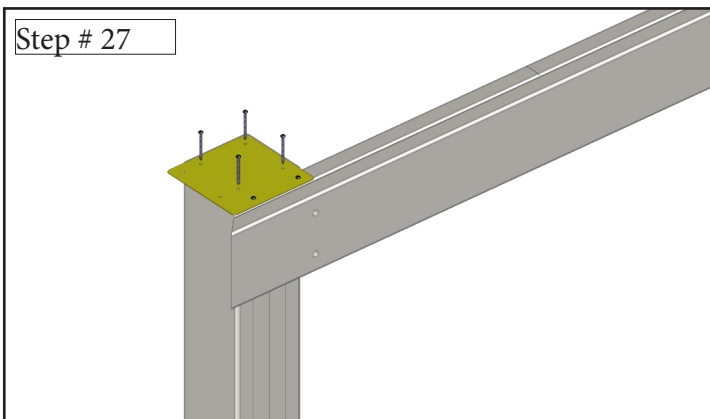
Set two Post upright Approximately 129 1/2" apart.



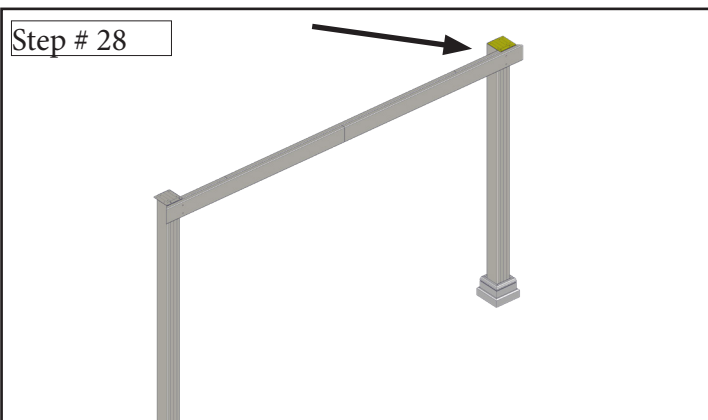
While holding the post, lift a Header Assembly to the top of the Post. Set the Bracket on top of the Post.



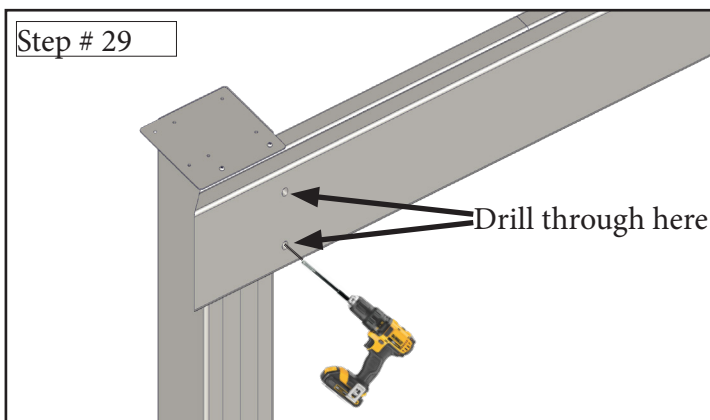
Align the top of the Header Assembly with the top of the Post. Align the short point of the 45° cut of the Header Assembly with the side of the Post.



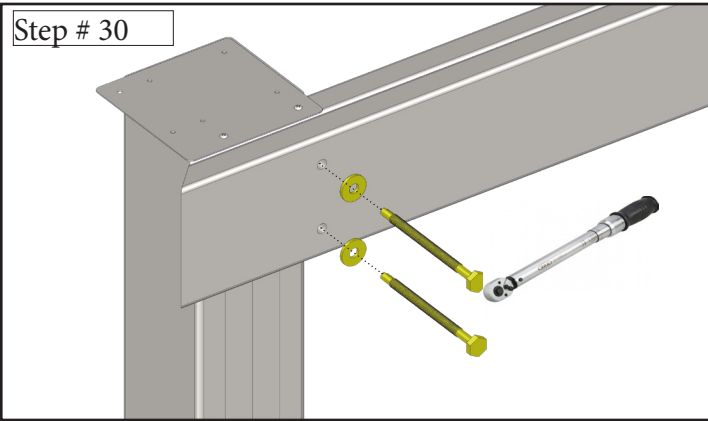
While keeping the Header Assembly in place, fasten the Bracket to top of Post with four (4) 1 1/4" Black Head Screws.



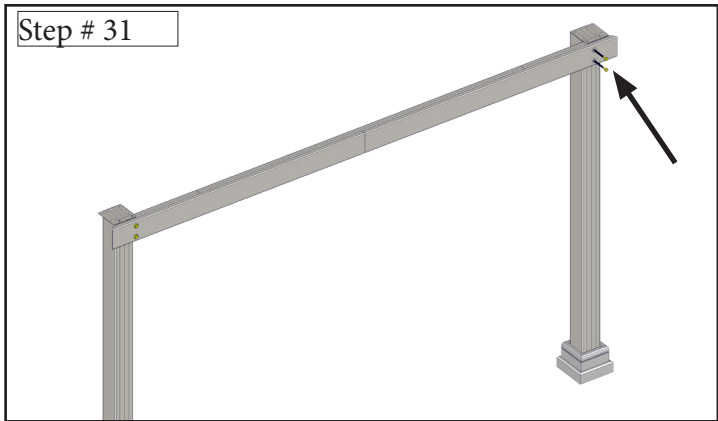
Follow steps 26 & 27, to fasten the opposite end of the Header Assembly.



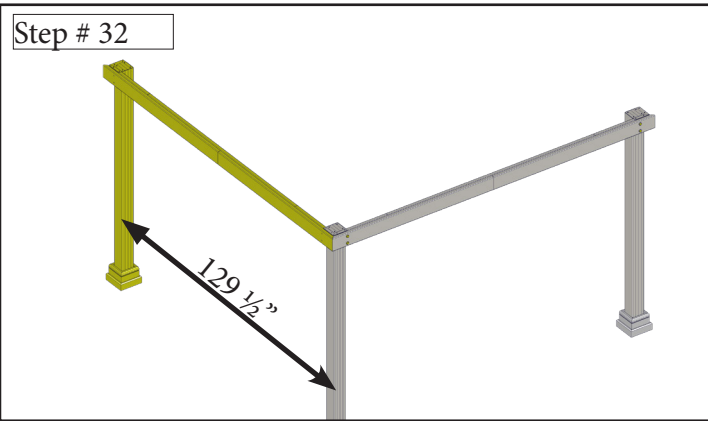
Using the 5/16" Drill bit (Provided) and a Power Drill (not provided), pre-drill into the Post through the pre-drilled holes in the Header Assembly. **Only drill 6". Be sure not to drill all the way through the Post.**



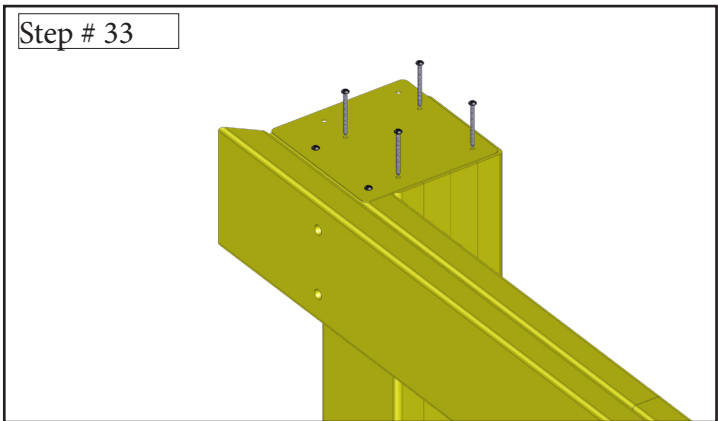
Using a  $\frac{5}{8}$ " Socket Wrench, install the  $\frac{3}{8}$ "x6" Lags through the  $\frac{3}{8}$ " Washers and into the Post through the pre-drilled holes.



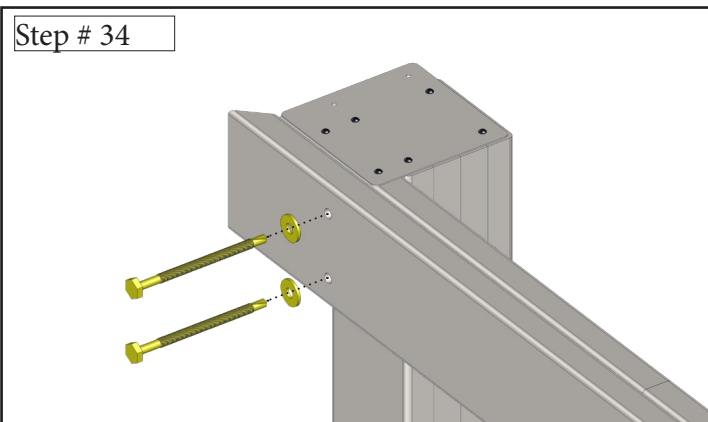
Repeat steps 29 & 30 to install the  $\frac{3}{8}$ "x6" Lags at the opposite end.



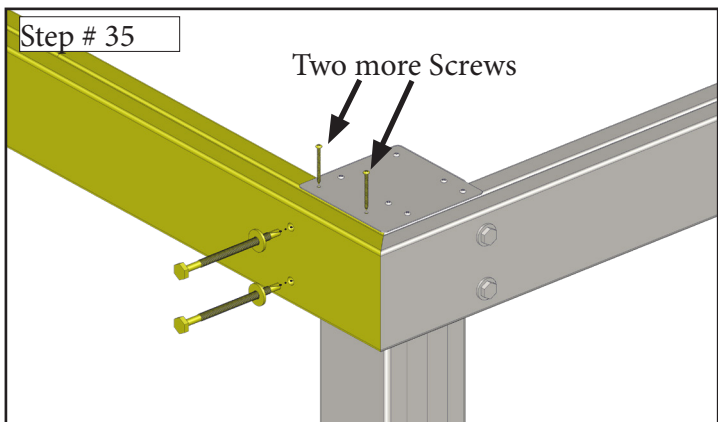
Set another Post approximately 129  $\frac{1}{2}$ " away. Then set another Header Assembly to the top of Post.



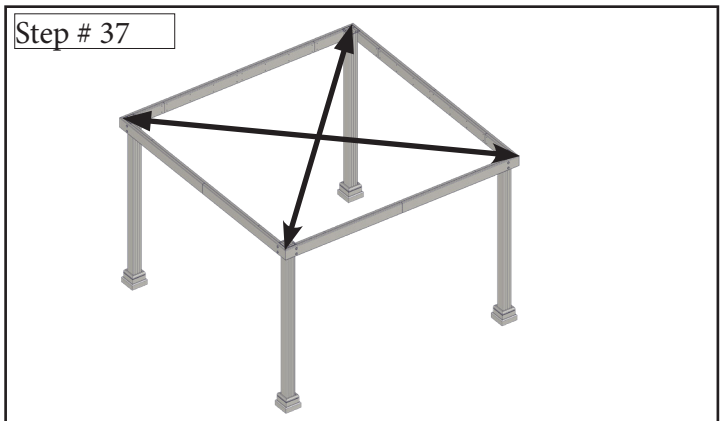
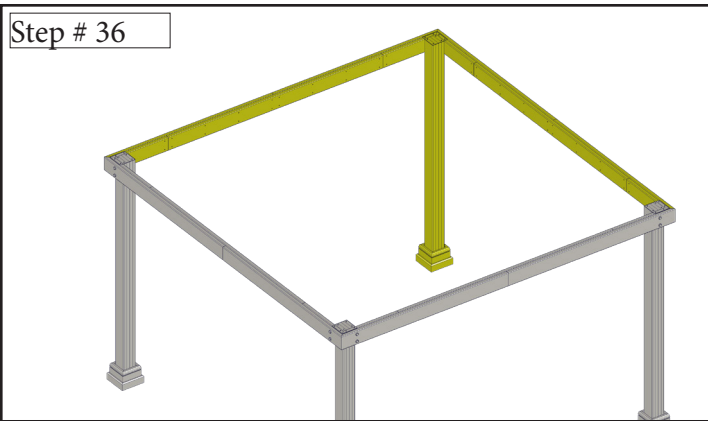
Fasten the Bracket to top of Post with four (4) 1  $\frac{1}{4}$ " Black Head Screws through pre-drilled holes.



Repeat steps 29 & 30 to install the  $\frac{3}{8}$ "x6" Lags.

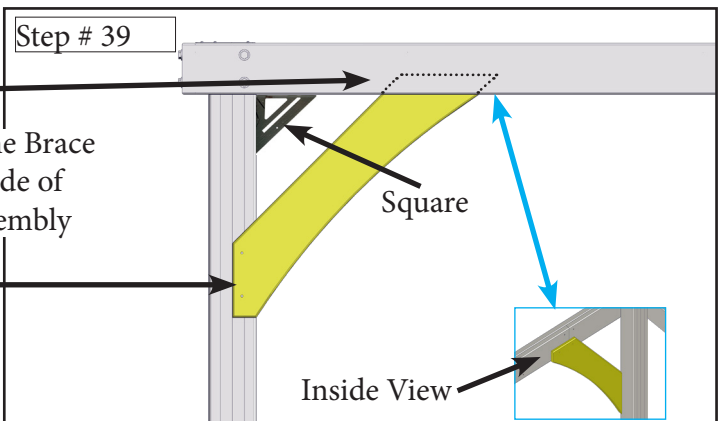
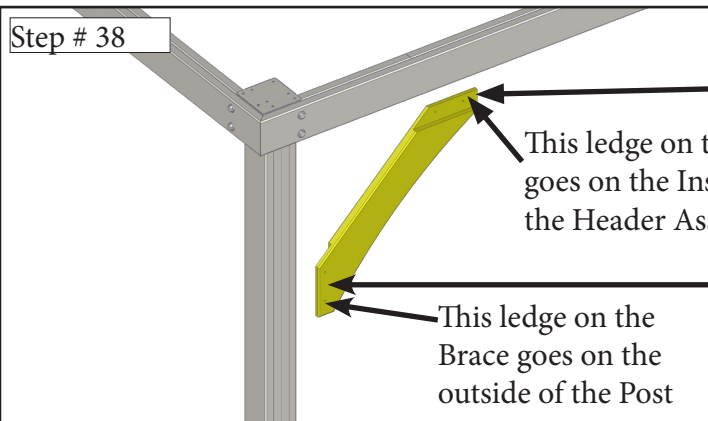


Install the  $\frac{3}{8}$ "x6" Lags on the opposite end. Install two (2) 1  $\frac{1}{4}$ " Black Head Screws through the Bracket into the Header.



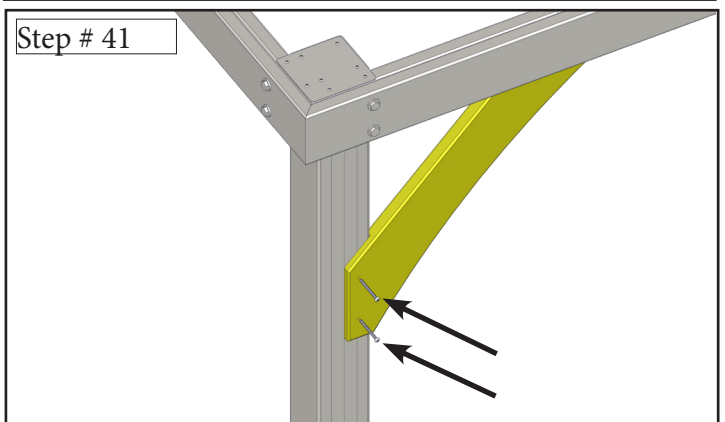
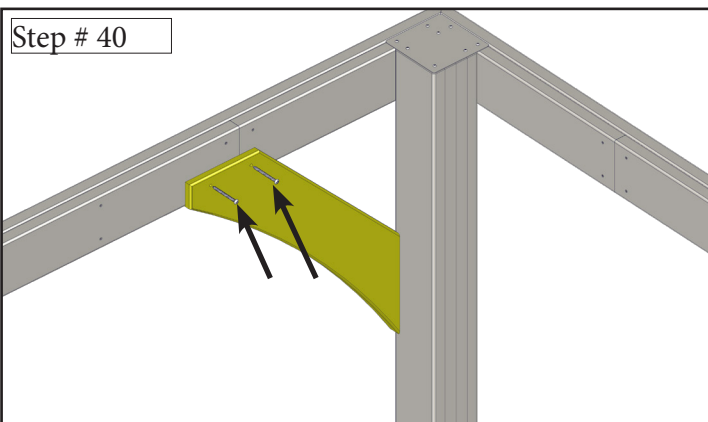
Repeat steps 32 - 35 to install the remaining Post and two Header Assemblies.

Use a tape measure to measure the distance from corner to corner. Adjust the Post to make each distance the same.



Locate the Left and Right Side Braces.

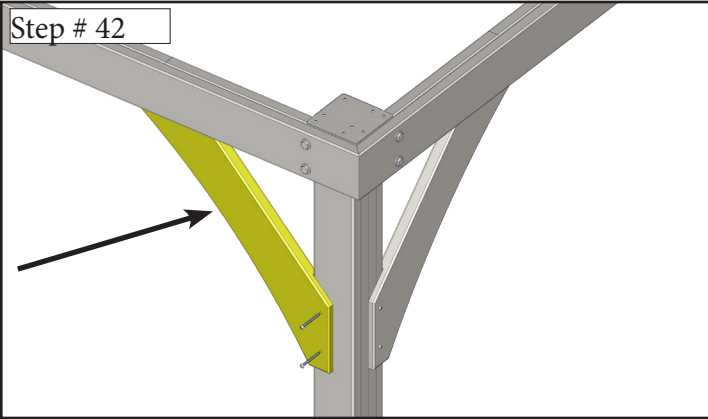
Choose the correct Brace for this side. Place one end of the Brace onto the Post and the other under the Header Assembly. Hold a speed square at the corner Post and Header Assembly and adjust the post to make a 90° corner.



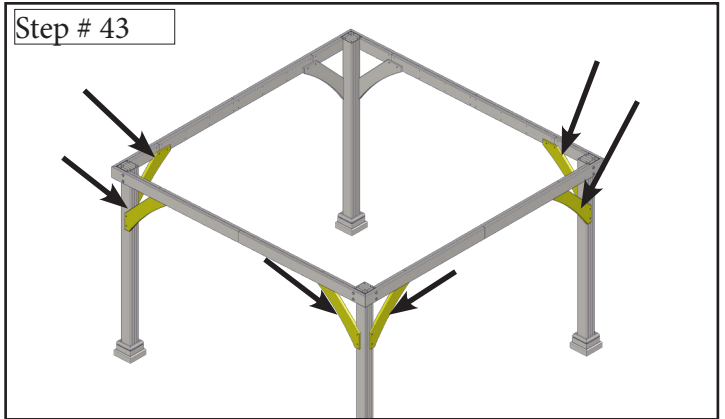
Fasten the inside to the Header Assembly with two (2) 1/4"x3" Black GRK Screws.

Fasten the other end to the Post with two (2) 1/4"x3" GRK Screws.

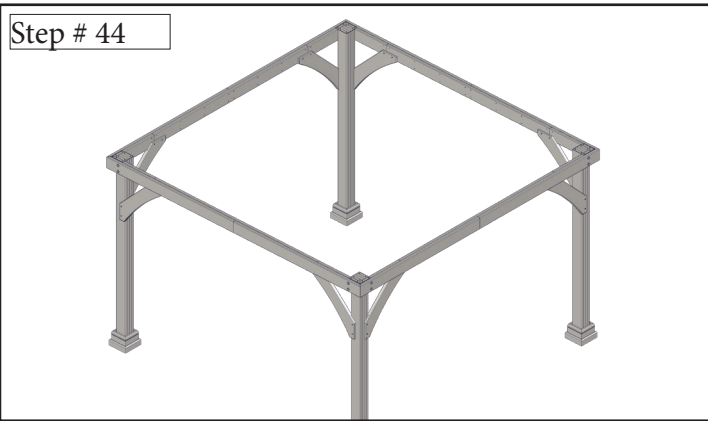




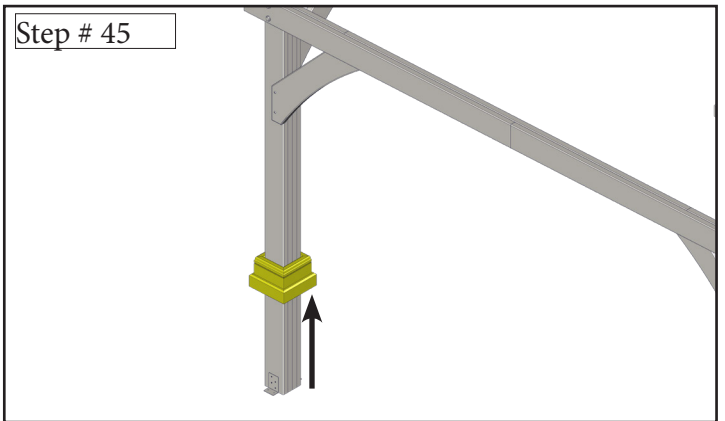
Repeat steps 38-41 to install the next Brace.



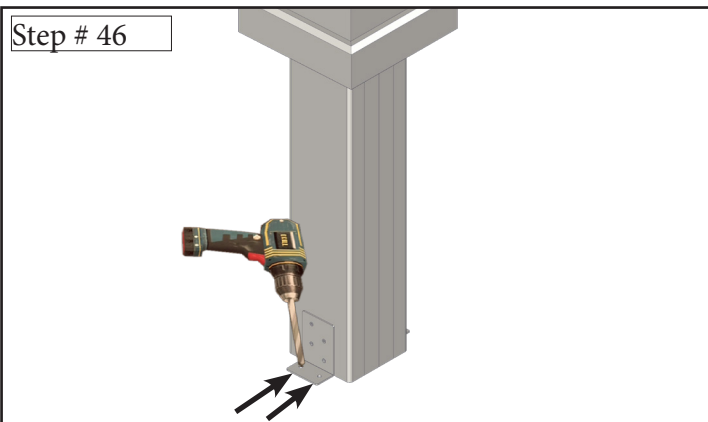
Repeat steps 38-42 to install all remaining Braces.



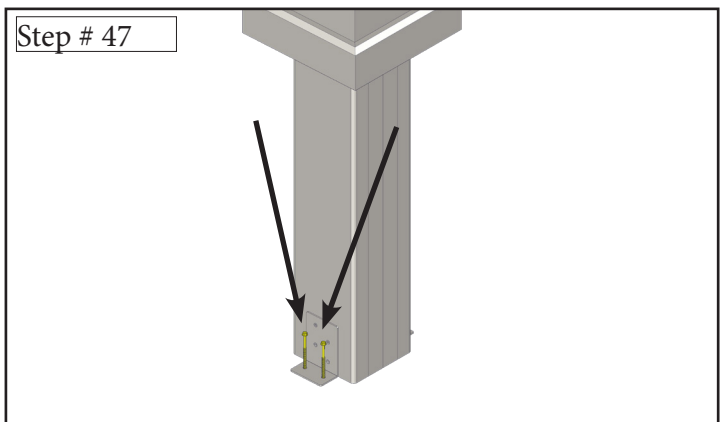
Check the measurement across the corners again as shown on step 37. Adjust the Post as needed. You are now ready to anchor the Post.



Slide the Post Base Trim up.

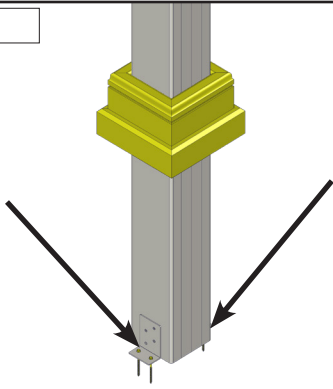


After the Pavilion is square and at the desired location, using a  $\frac{3}{16}$ " drill bit, pre-drill two (2) holes into the Concrete or Wood Floor through the hole on the bracket.

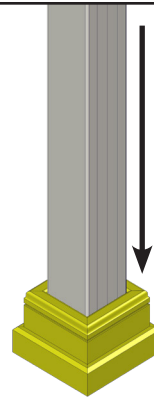


Using a  $\frac{5}{16}$ " Socket, install two (2) Anchoring Screws through the Pre-drilled holes.

Step # 48



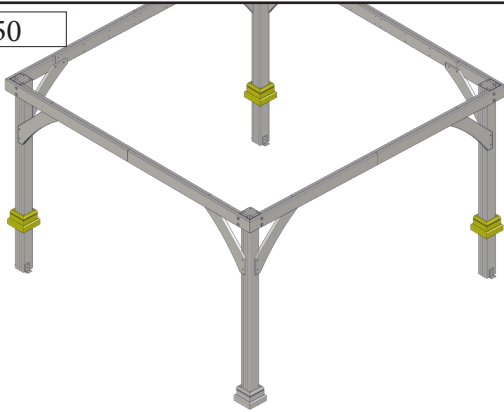
Step # 49



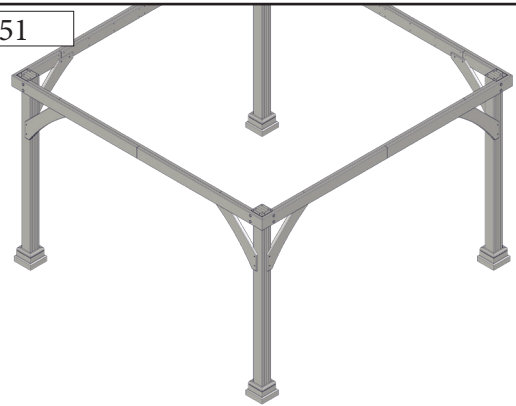
Repeat steps 46 & 47 to install two more Anchoring Screws on the other side of the Post.

Slide the Post Base Trim down over the Post Base Brackets and Anchoring Screws.

Step # 50



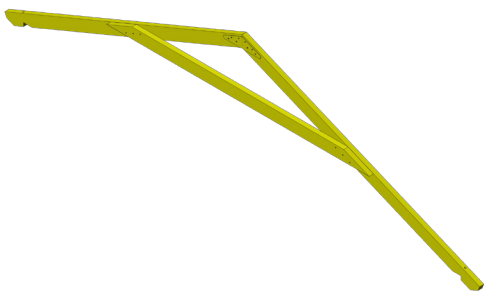
Step # 51



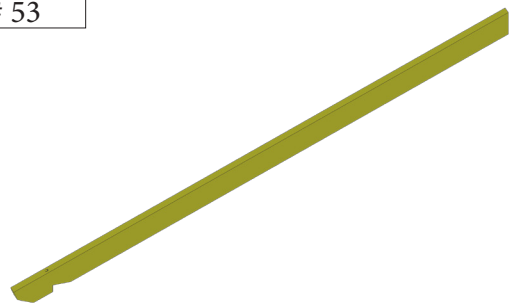
Repeat steps 46 - 48 to install the Anchoring Screws on all remaining Post.

After installing the Anchoring Screws, Slide all the Post Base Trim down into place.

Step # 52



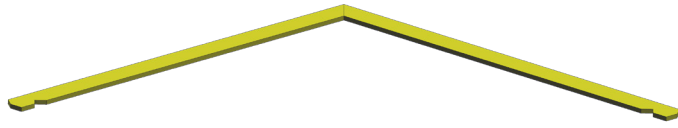
Step # 53



You are now ready to assemble the Rafters as shown above.

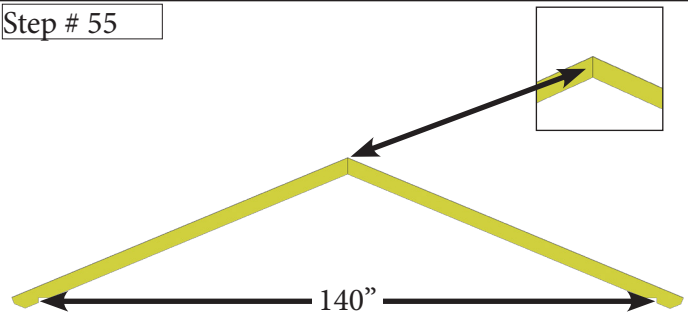
Locate two (2) of the 2x4 Rafters.

Step # 54



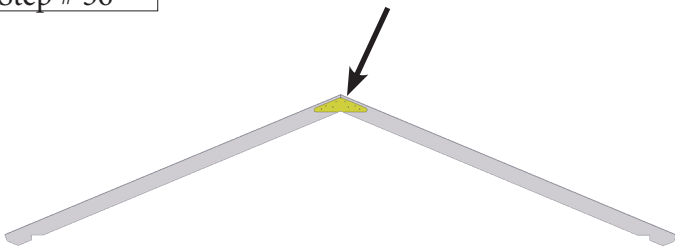
Lay down on the floor. Remember to lay on cardboard or other protective material to keep the Rafters from getting scratched or damaged.

Step # 55



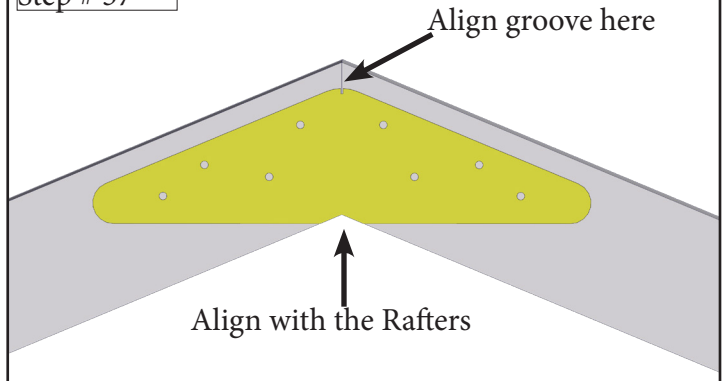
Align the angle cut of the Rafters together at the top. Using your tape measure, adjust to make the distance 140" as shown above.

Step # 56



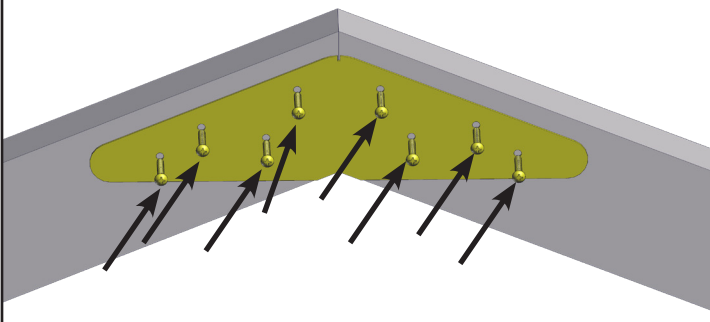
Place a Rafter Assembly Bracket at the splice.

Step # 57



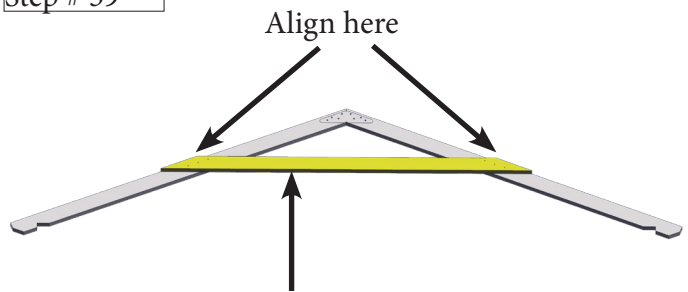
Align the small groove in the Bracket with the two Rafters. Also align the cut on the bottom with the bottom of the Rafters.

Step # 58

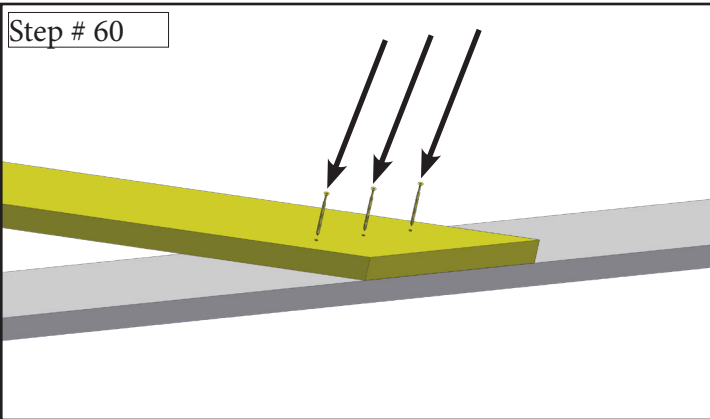


Install four (4) 1 1/4" Black Head Screws into each Rafter through the pre-drilled holes of the bracket. (Eight (8) Total Screws)

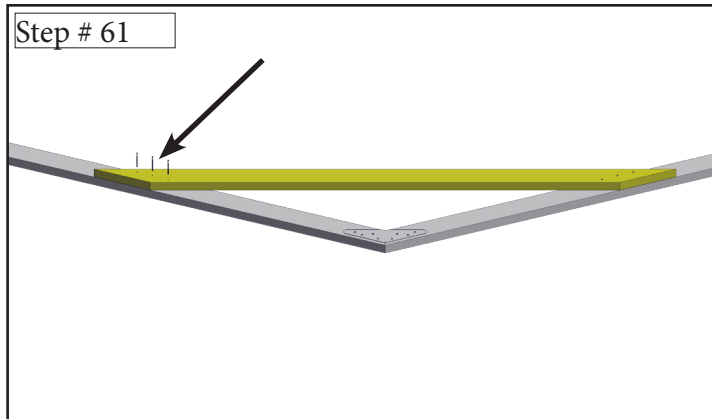
Step # 59



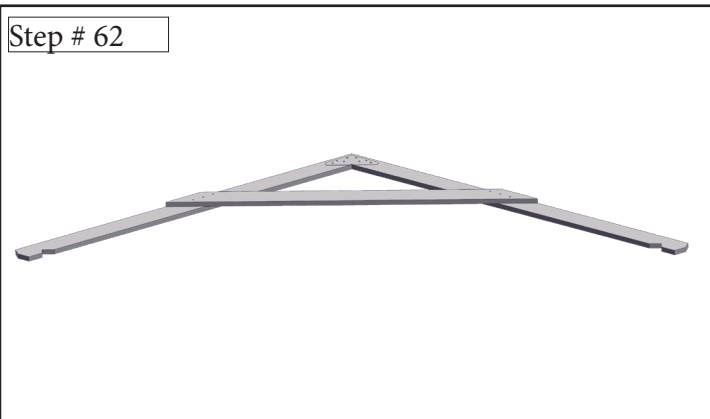
Locate the 2x4 Collar Ties. Place on top of the Rafter Assembly. Align the angle cut of the Collar Ties with the top of the Rafters.



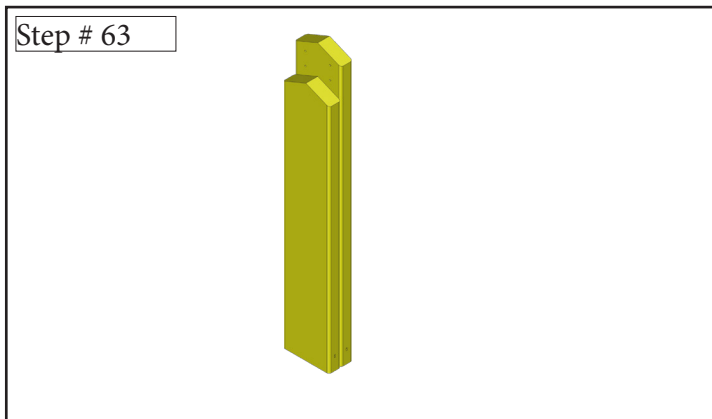
Keeping both ends of the Collar Tie aligned, fasten to Rafter with three (3) 2 ½” Screws.



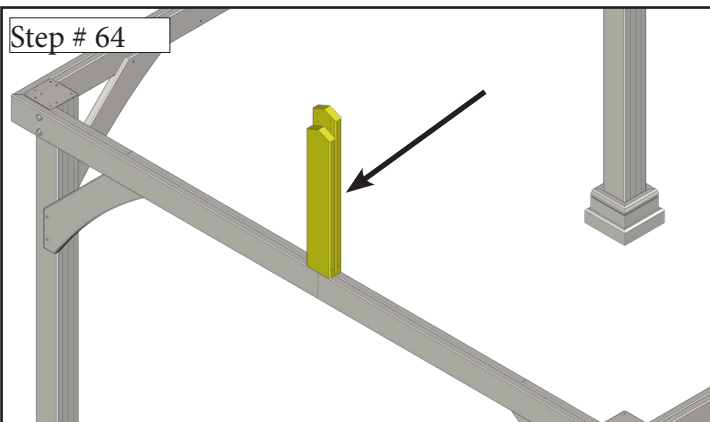
Install three (3) 2 ½” Screws on the opposite end of the Collar Tie.



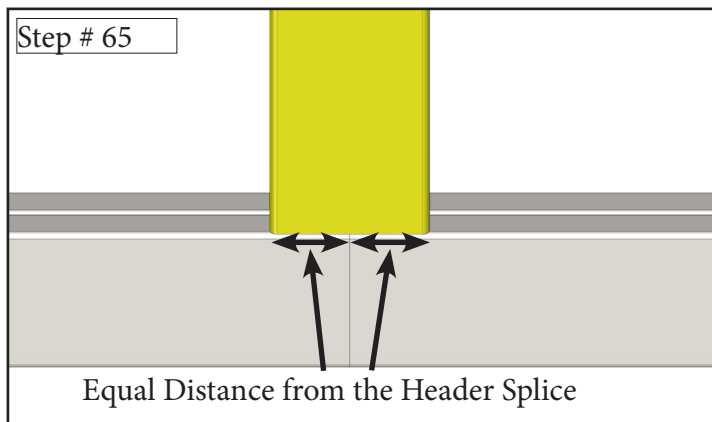
Repeat steps 54 -61 to assemble the remaining Rafter Assemblies. You should have a total of five (5) Assemblies. (There will be four (4) extra 2x4 Rafters that do not get assembled now.)



Locate the 2x6 Double Web Post.

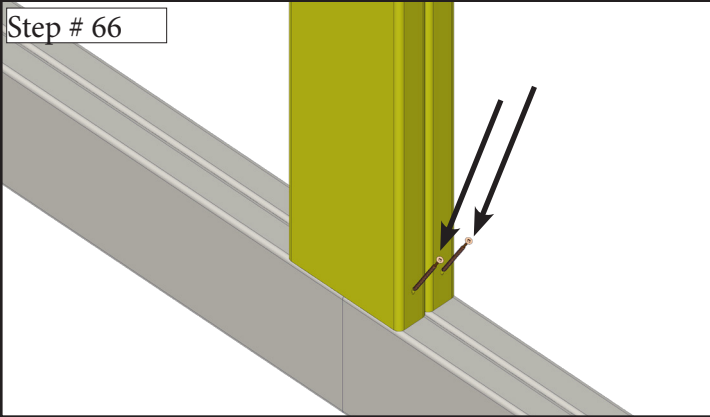


Place on top of the Header Assembly. Place with the shorter ply towards the outside of the Pavilion.



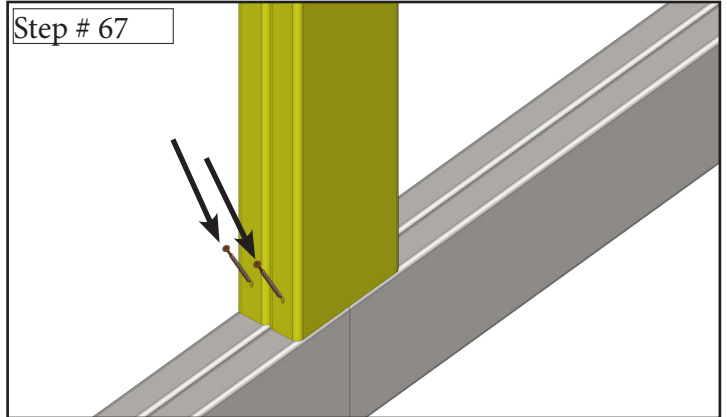
Measure the distance as shown above.





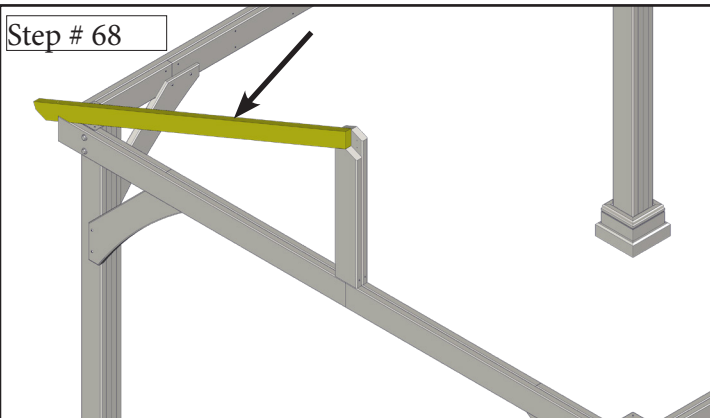
Step # 66

Fasten the Double Web Post to the Header with two (2) 2 ½” Screws.



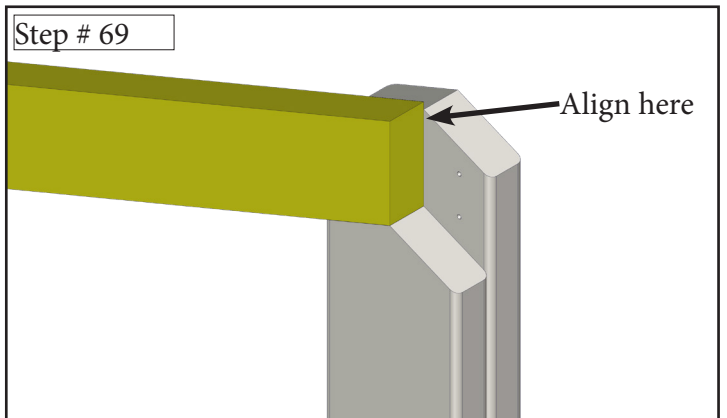
Step # 67

Install the two (2) 2 ½” Screws on the opposite side of the Header.



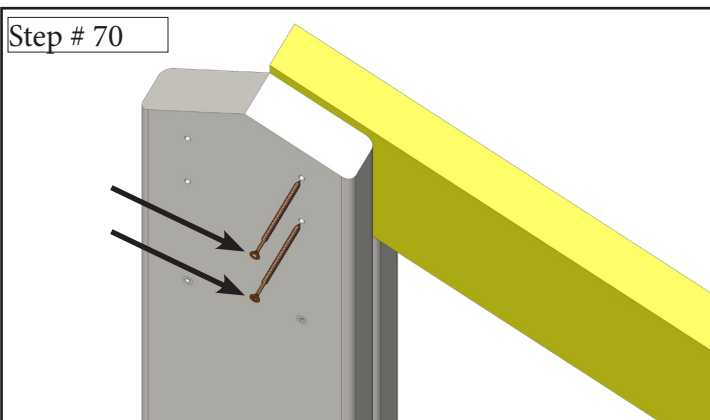
Step # 68

Lift a 2x4 Rafter up onto the Header and the Double Web Post.



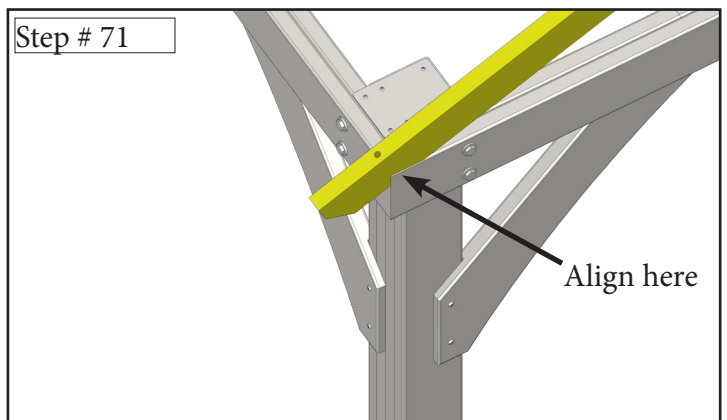
Step # 69

Align the Rafter at the top with the center of the Double Web Post.



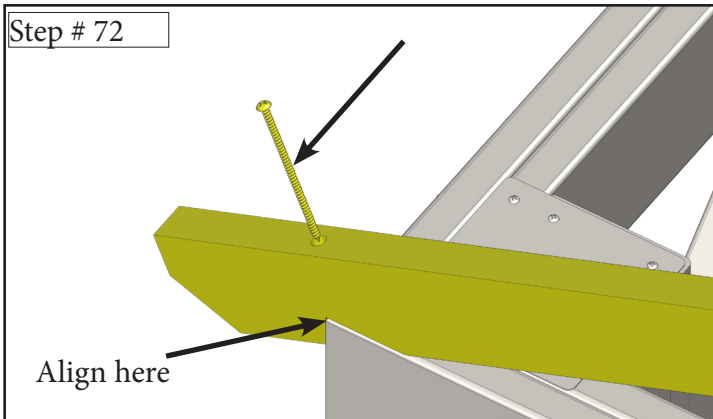
Step # 70

Fasten the top of the 2x4 Rafter to the Double Web Post with two (2) 2 ½” Screws.

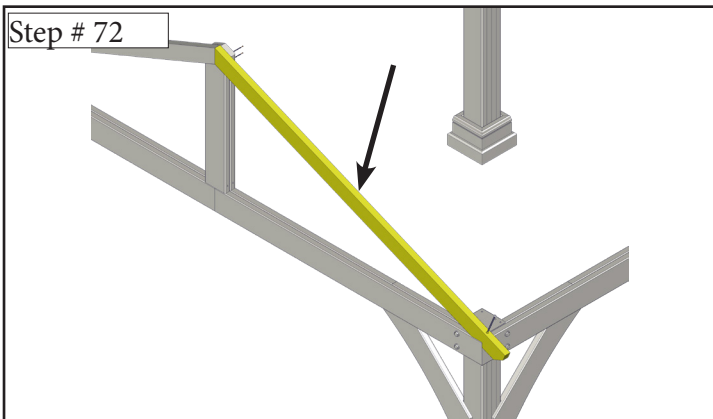


Step # 71

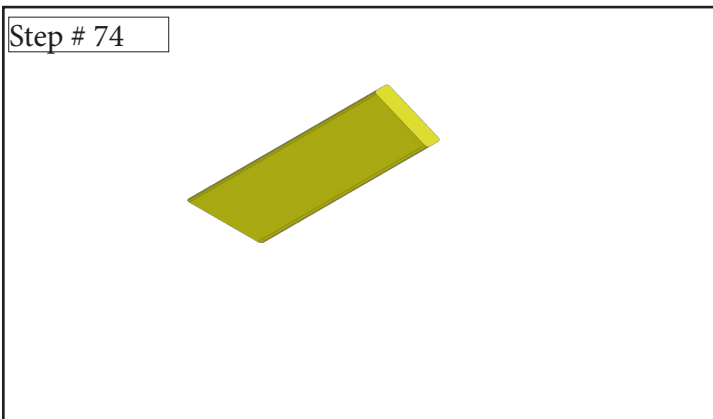
Align the bottom of the 2x4 Rafter with the end of the Header Assembly.



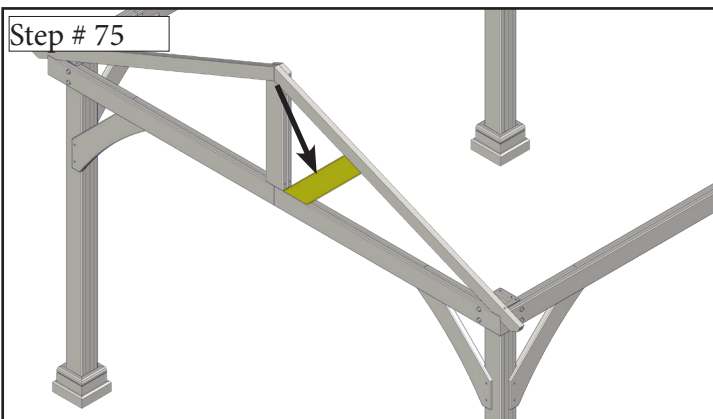
Fasten Rafter to Header Assembly with one (1) 5" Star Drive Screw through pre-drilled hole.



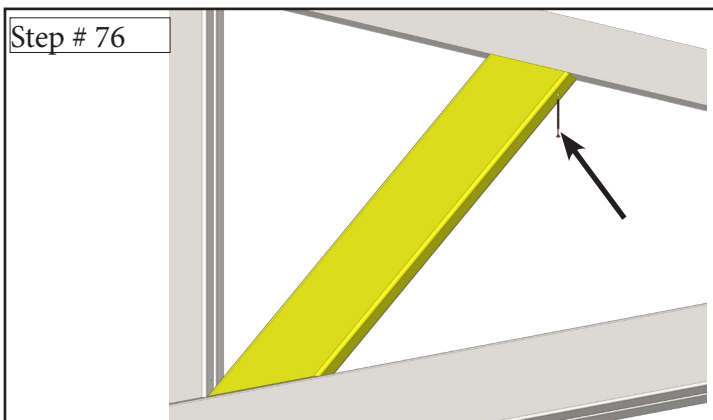
Repeat steps 68 - 72 to install the 2x4 Rafter on the opposite side.



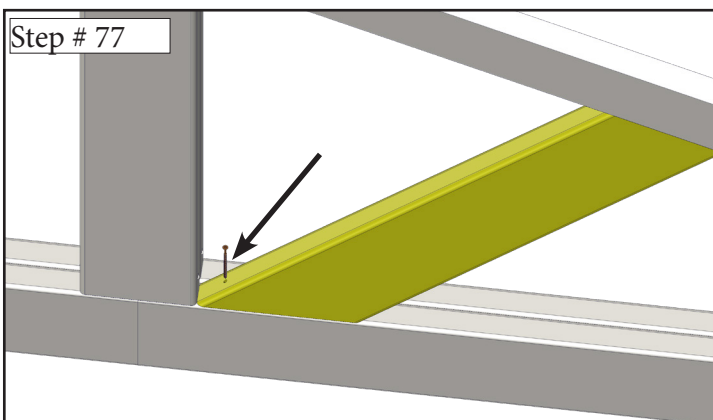
Locate the 2x6 Web Brace.



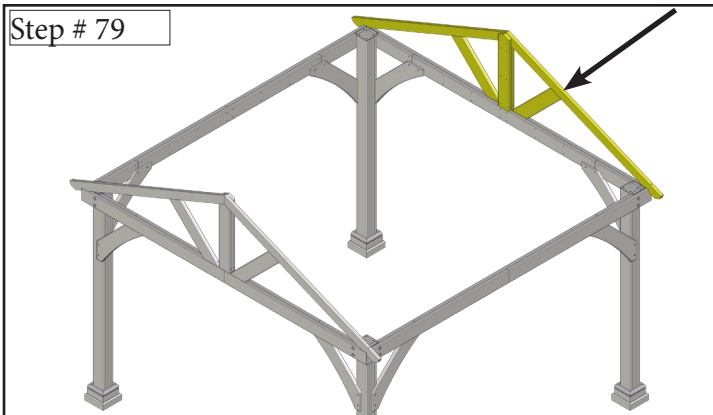
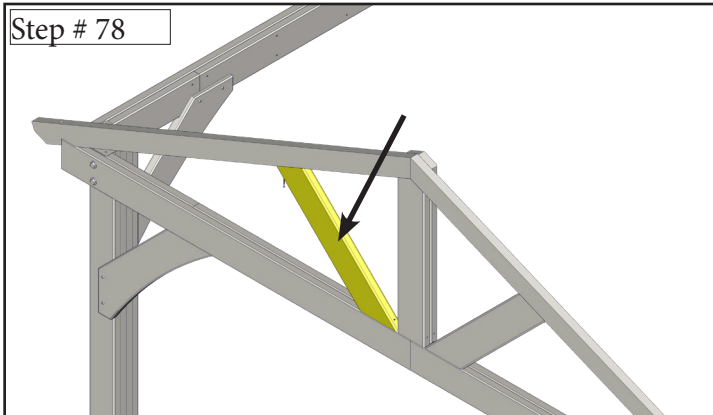
Place the Web Brace under the Rafter as shown.



Fasten top of Web Brace to the Rafter with one (1) 2 1/2" Screw.

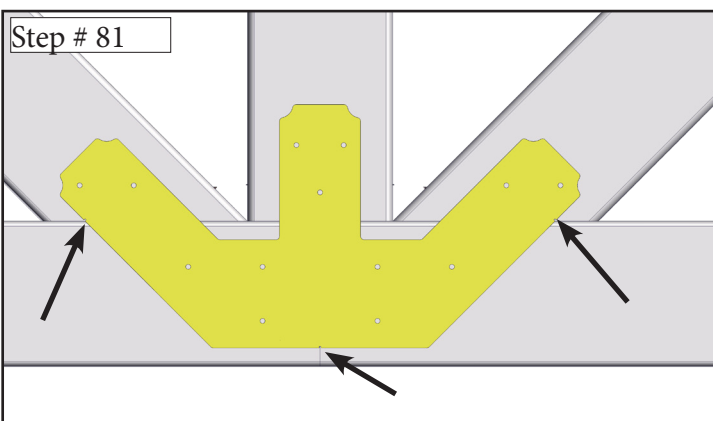
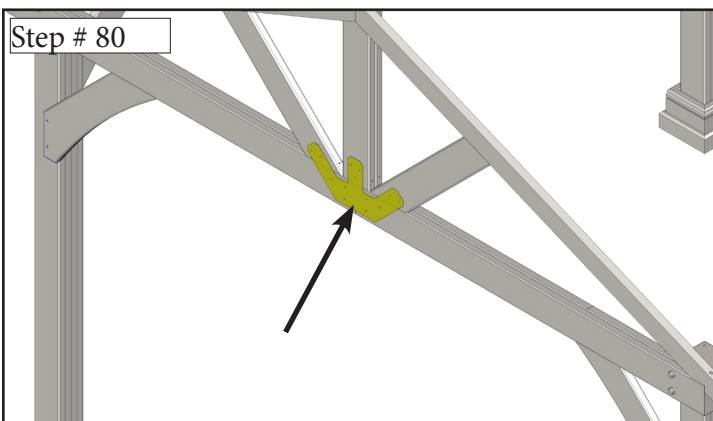


Fasten the bottom of the Web Brace to the Header Assembly with one (1) 2 1/2" Screw.



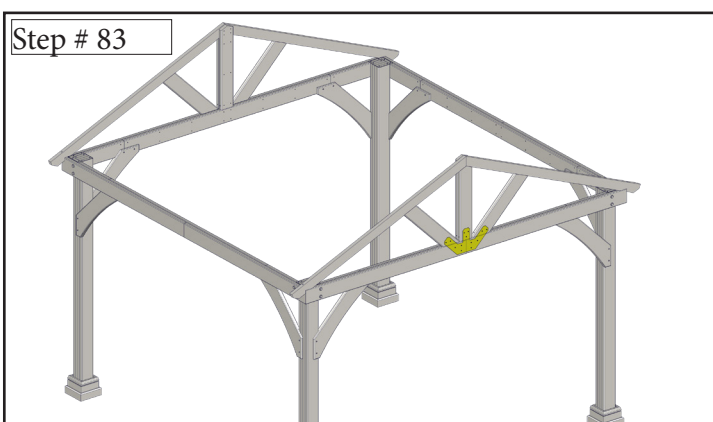
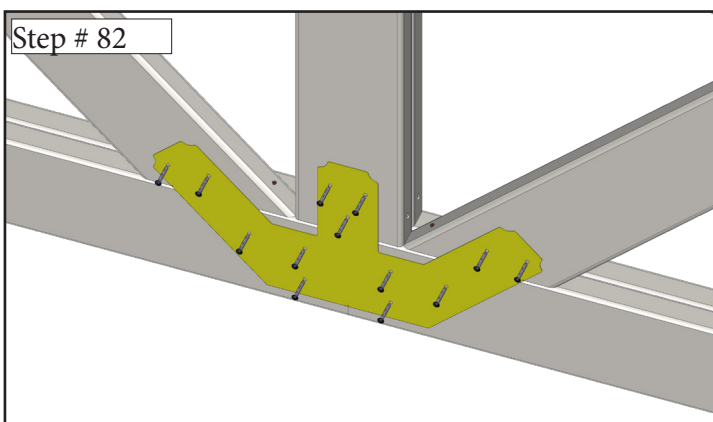
Repeat steps 75 - 77 to install the Web Brace on the opposite side.

Repeat steps 64 - 78 to install the Rafters, Web Post and Braces on the opposite side.



Hold the Gable Web Bracket onto the side of the Header Assembly and Web Braces.

Align the grooves in the Bracket with the Header Assembly at the points shown with the arrows above.



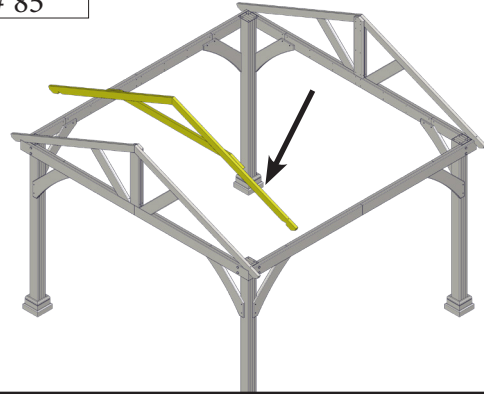
Fasten the Bracket to the Header and Web Post and Braces with 1 1/4" Black Head Screws through pre-drilled holes in Bracket.

Repeat steps 80 - 82 to install the Gable Web Bracket on the opposite side of the Pavilion.

Step # 84



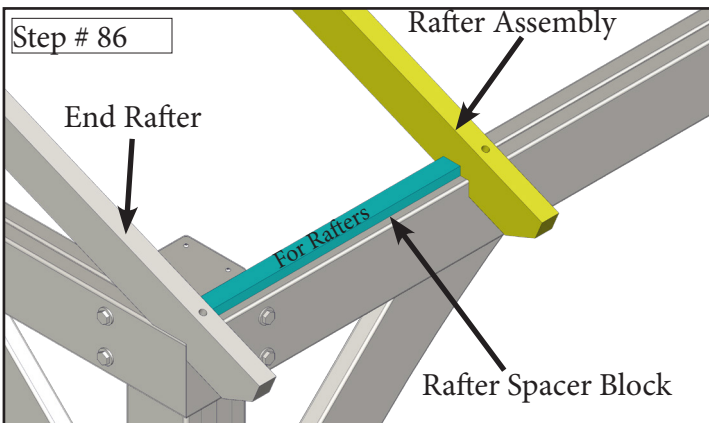
Step # 85



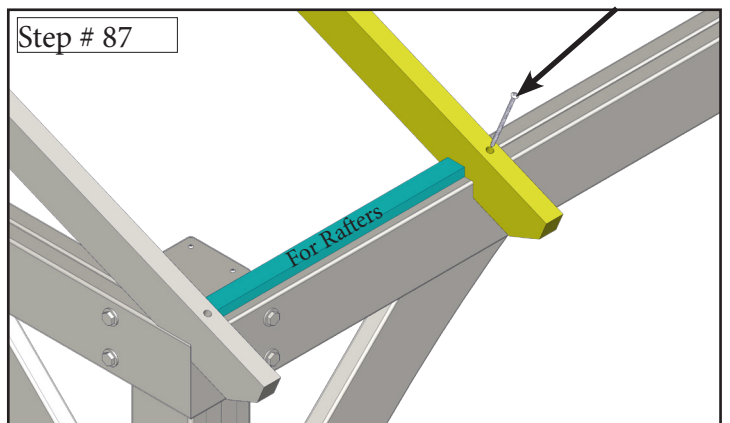
Locate the Rafter Spacer Block.

Place a Rafter Assembly on top of the Header Assemblies.

Step # 86



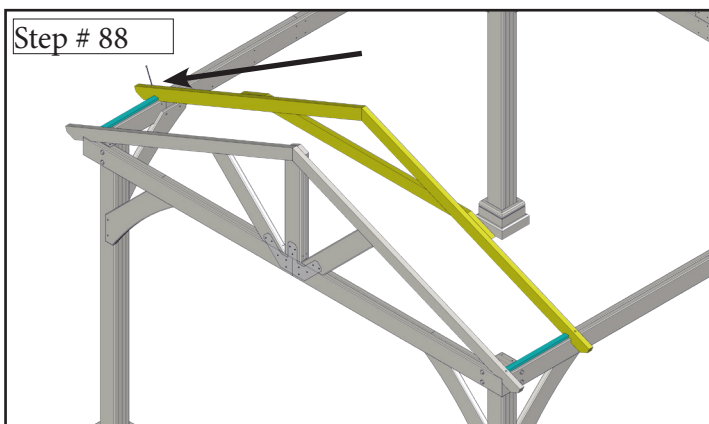
Step # 87



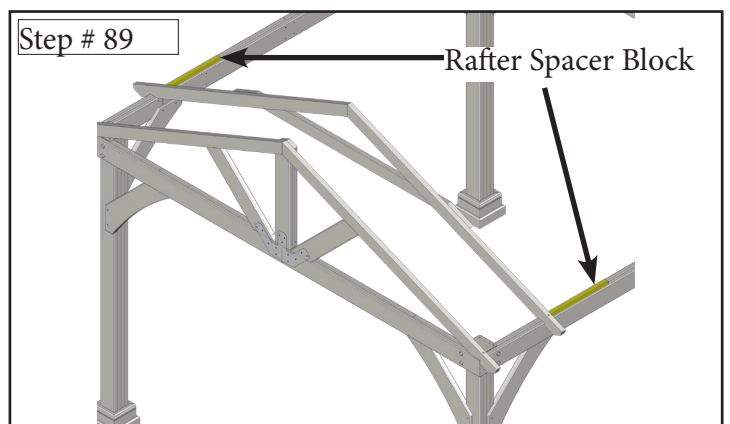
Lay the Rafter Spacer Block on top of the Header. One end against the end Rafter. Then put the Rafter Assembly against the opposite end.

Fasten the Rafter Assembly to the Header with one (1) 5" Stardrive Screw.

Step # 88



Step # 89

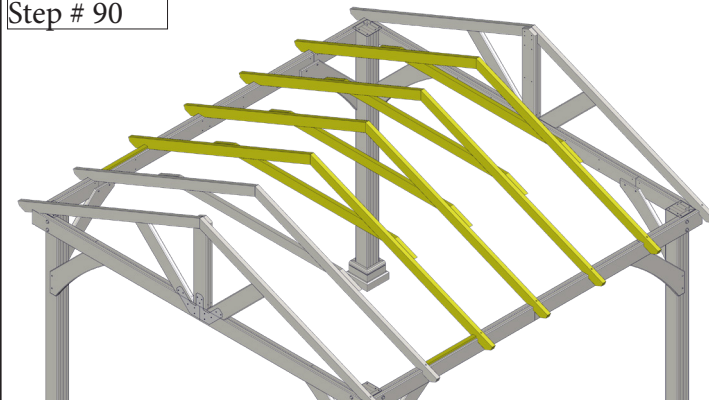


Repeat steps 86 & 87 to fasten the opposite end of the Rafter Assembly to the Header.

Move the Rafter Spacer Blocks over to the other side of the Rafter Assembly.

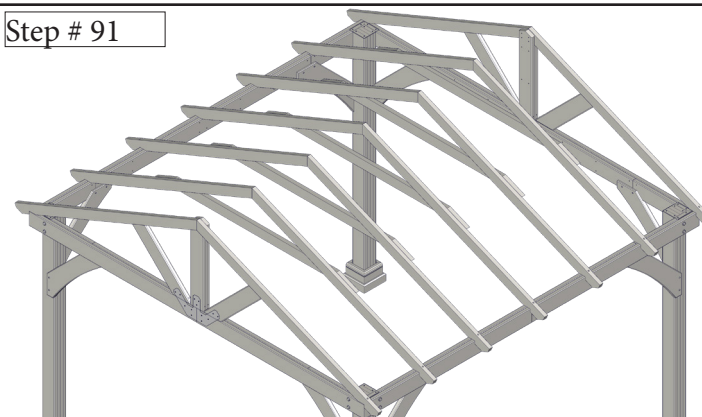


Step # 90



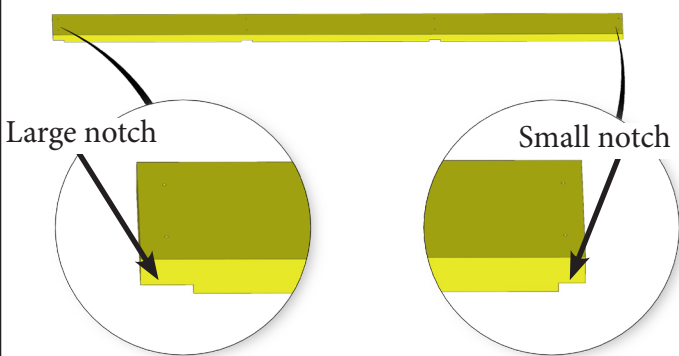
Repeat steps 85 - 89 to install the remaining Rafter Assemblies.

Step # 91



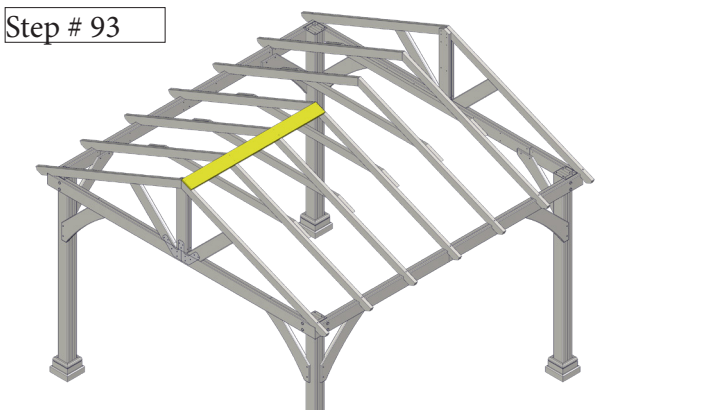
After all the Rafters are installed, you are ready to install the Roof Lath.

Step # 92



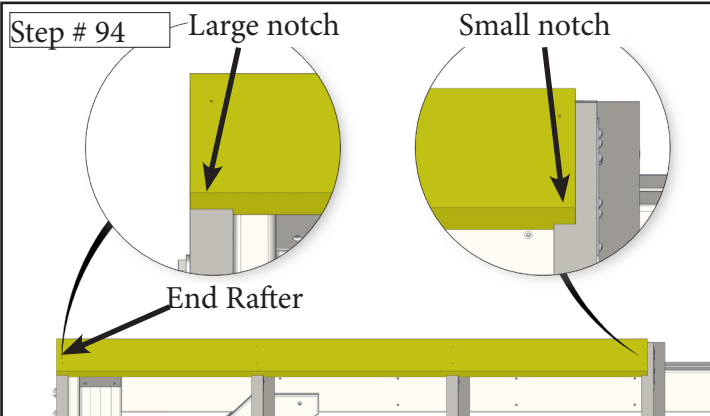
Locate the 5/4"x 6" Roof Lath. Notice the one end has a larger notch than the other end.

Step # 93



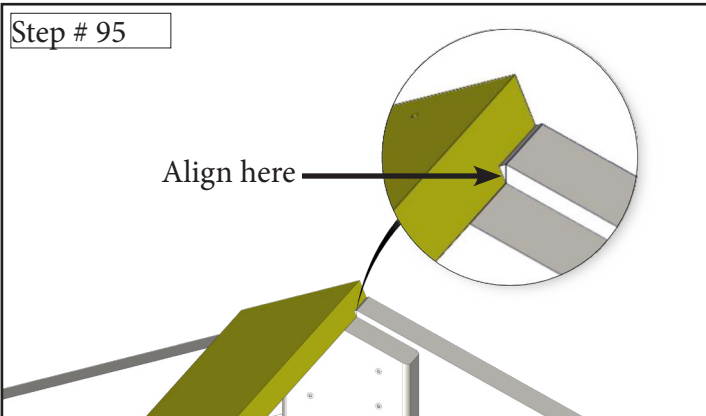
Place the first Roof Lath on top of the Rafters. (See next step for alignment)

Step # 94



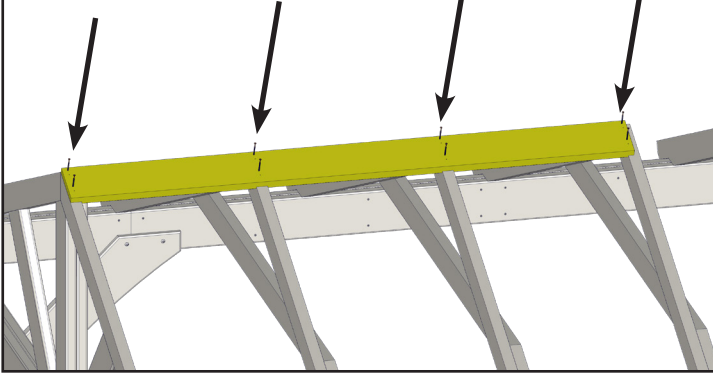
The large notch goes on the Rafter at the end.

Step # 95



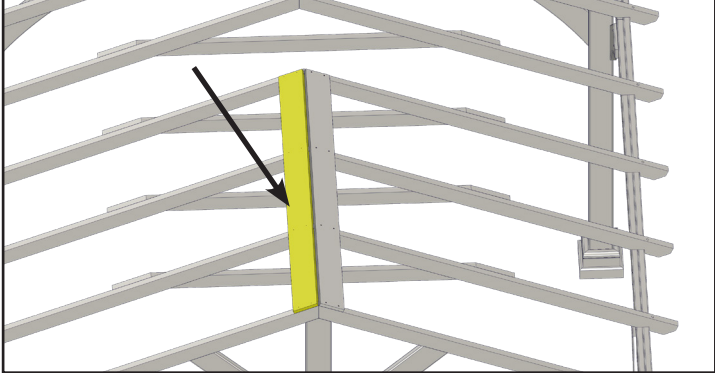
Align the Roof Lath with the Rafter as shown above.

Step # 96



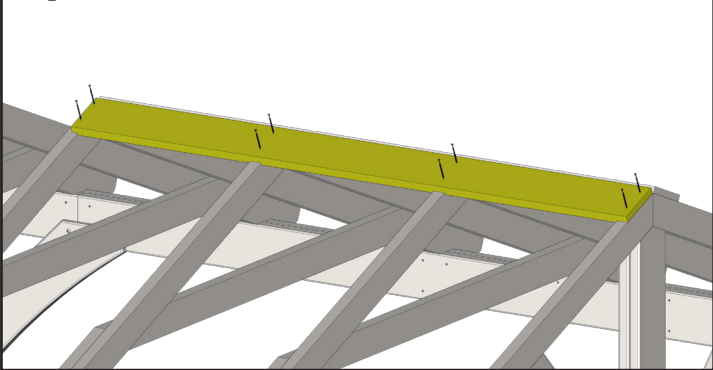
Fasten Roof Lath to each Rafter with two (2) 2 ½” Screws.

Step # 97



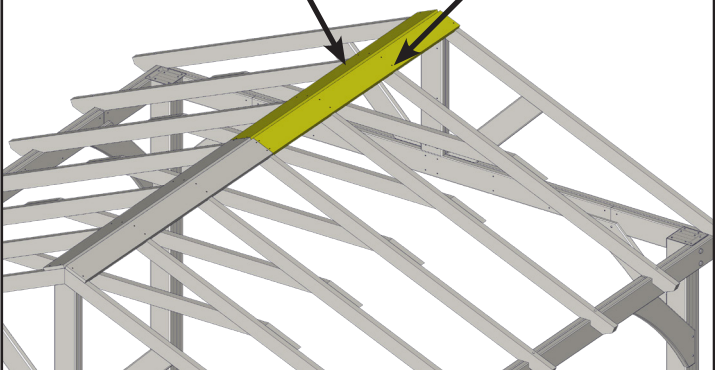
Repeat steps 93 - 96 to install the Roof Lath next to the first one.

Step # 98



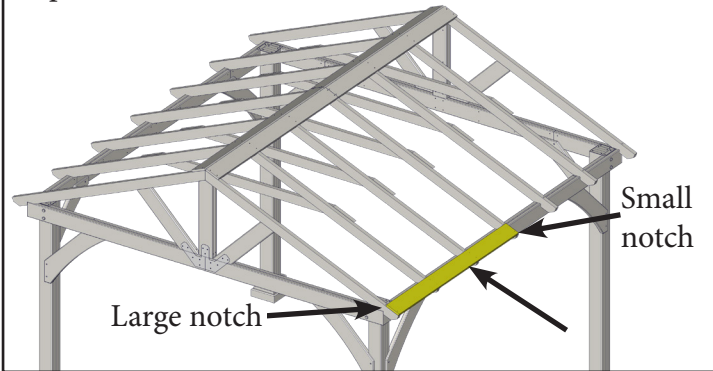
Fasten to each Rafter with two (2) 2 ½” Screws.

Step # 99



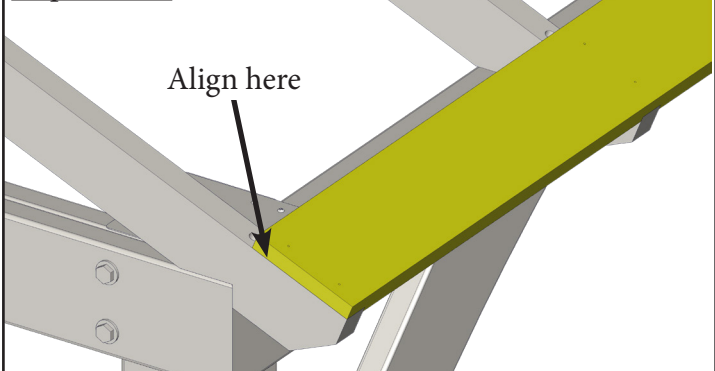
Repeat steps 93 - 98 to install the Roof Lath on the opposite side.

Step # 100

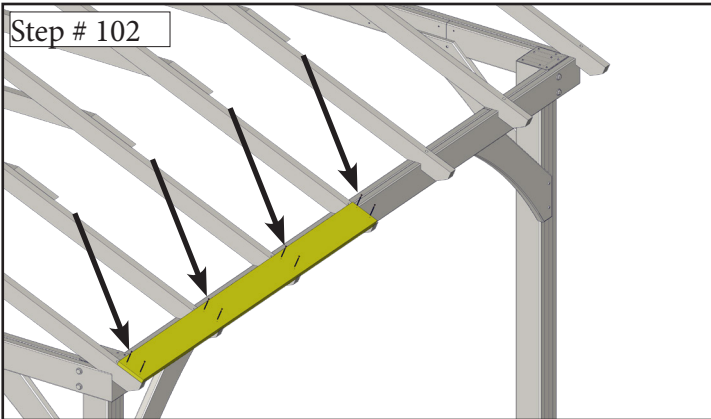


Place another Roof Lath on the Rafters at the bottom side.

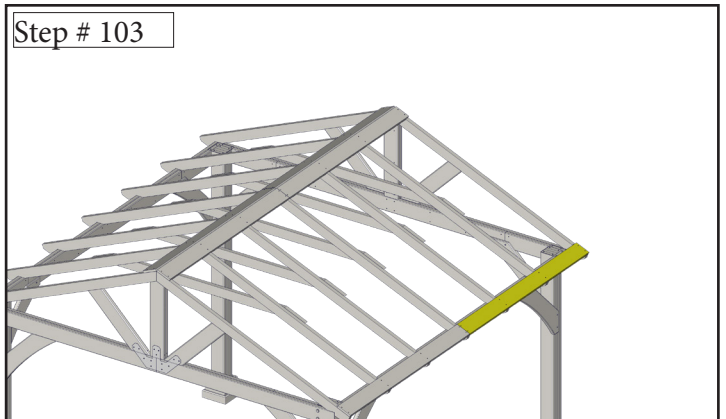
Step # 101



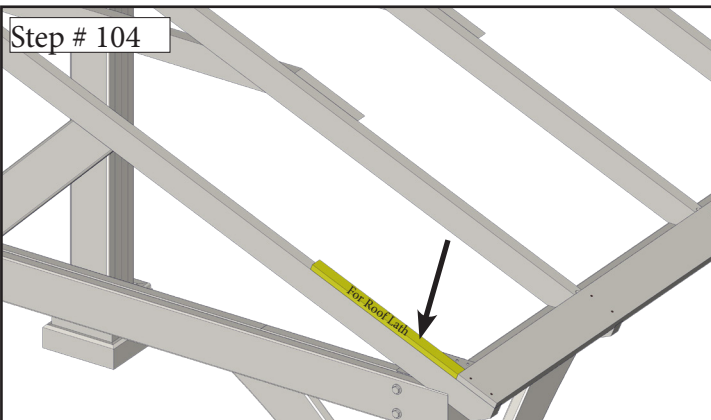
Align the Roof Lath with the end of the Rafter.



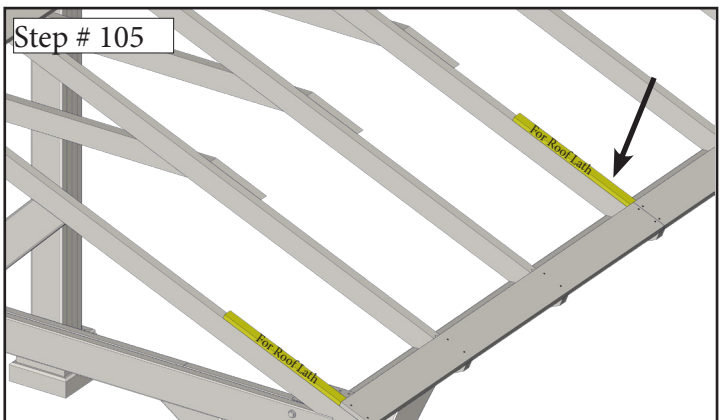
Fasten to each Rafter with two (2) 2 1/2" Screws.



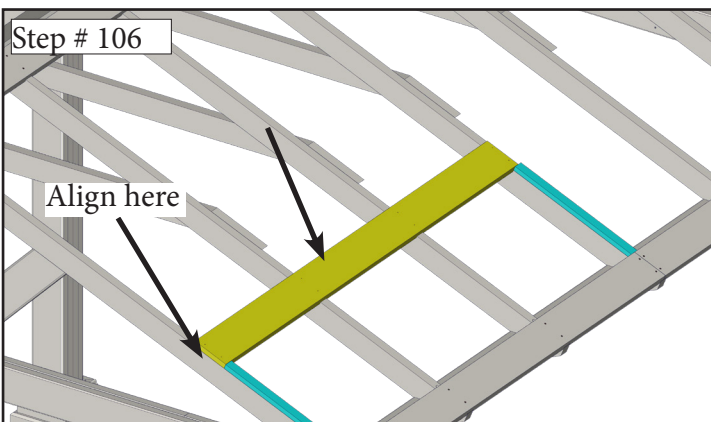
Repeat steps 100 - 102 to install the Roof Lath on the opposite end.



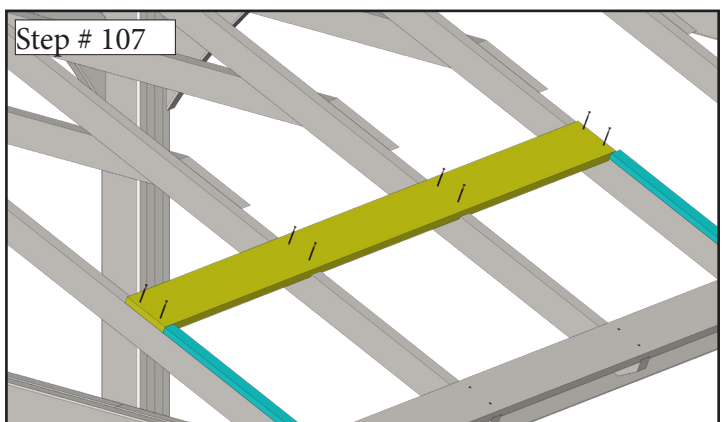
Locate the Spacer Block for Roof Lath. Lay on top of the end Rafter.



Lay the second Spacer Block For Roof Lath on the center Rafter.

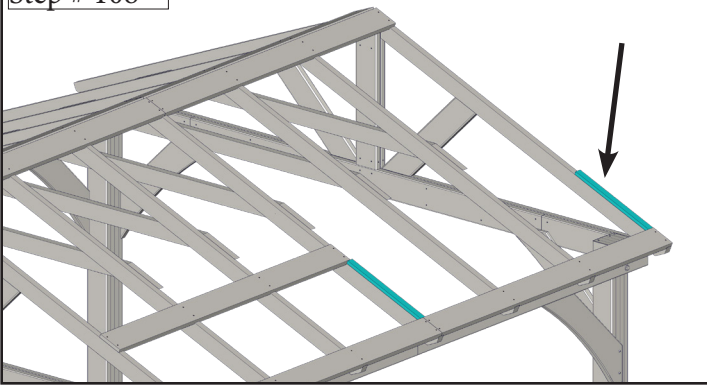


Place another Roof Lath on the Rafters and against the Spacer Blocks.



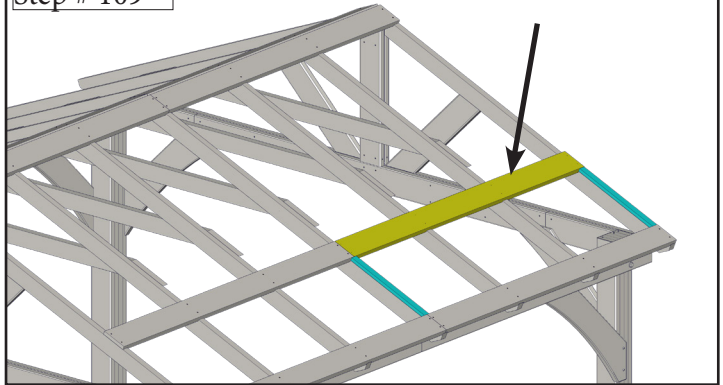
Fasten to each Rafter with two (2) 2 1/2" Screws.

Step # 108



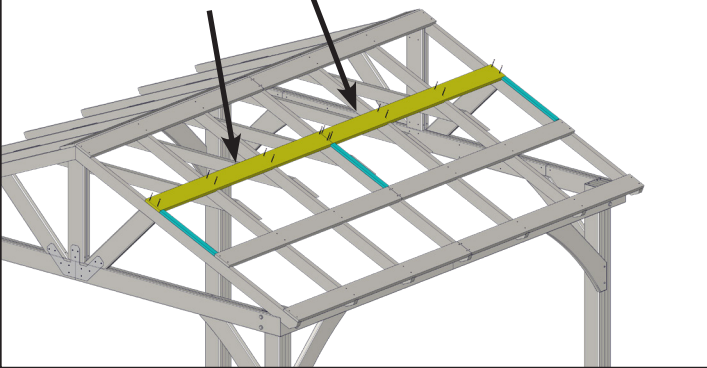
Move the one Spacer Block to the opposite end of the Pavilion.

Step # 109



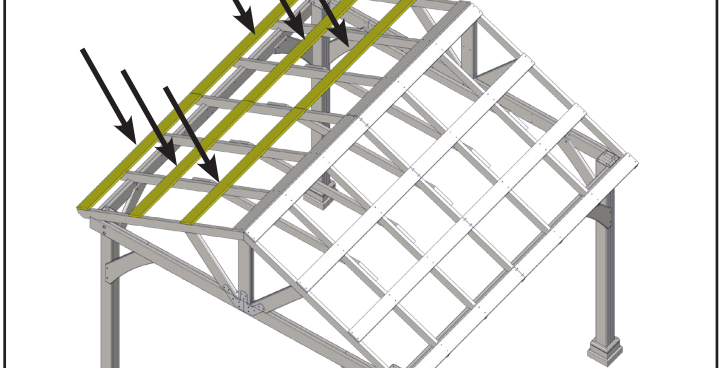
Repeat steps 104 - 107 to install the Roof Lath on the opposite end.

Step # 110



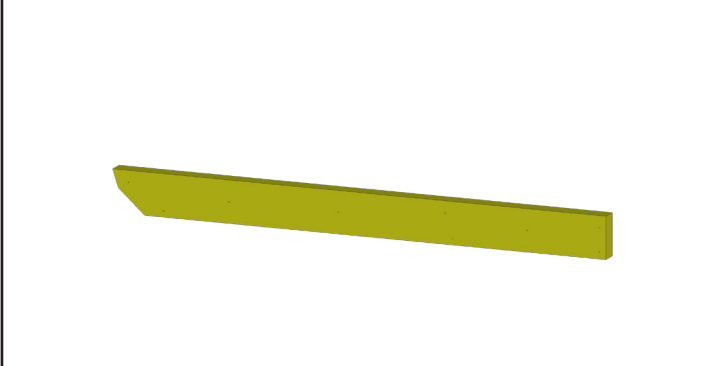
Repeat steps 104 - 109 to install the next two Roof Lath.

Step # 111



Repeat steps 100 - 110 to install all remaining Roof Lath on the opposite side.

Step # 112



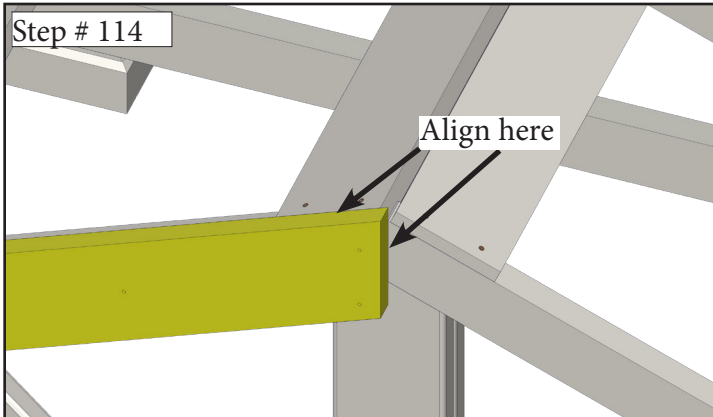
Locate the 5/4"x6" Gable Rafter Trim.

Step # 113

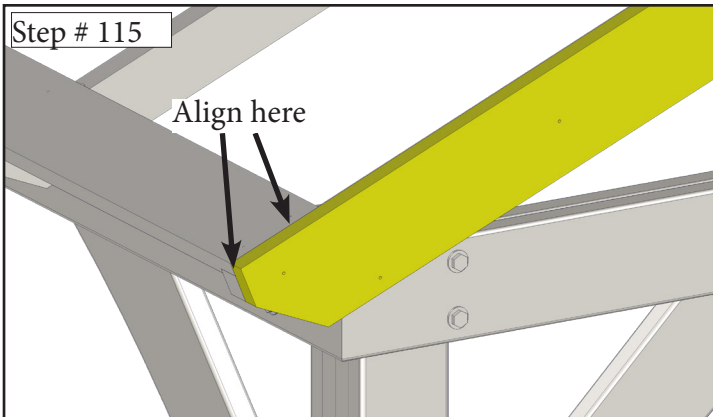


Hold the Gable Trim on the outside of the end Rafter.

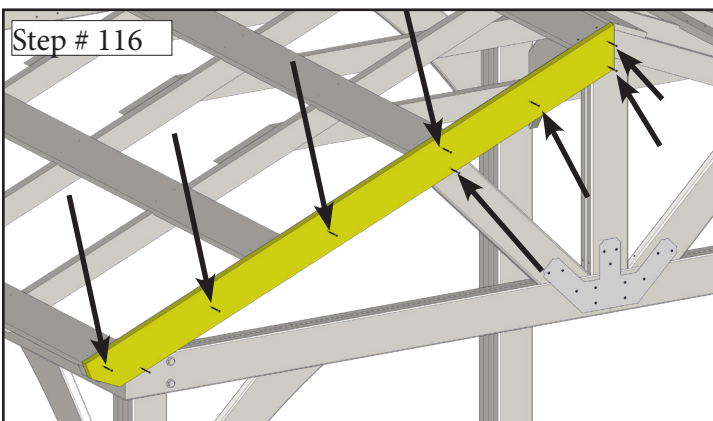




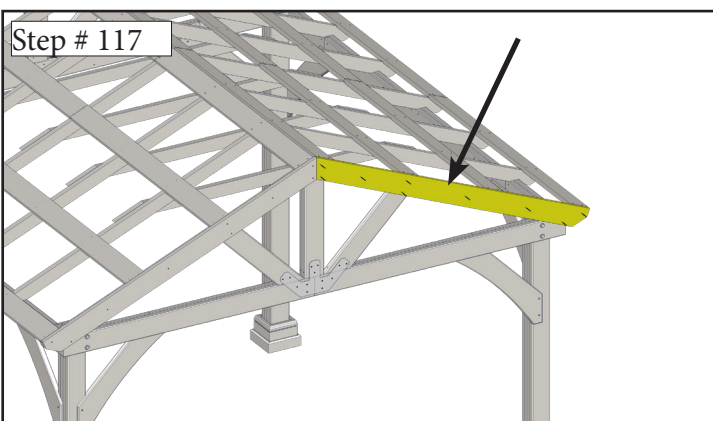
Align the top of the Gable Rafter Trim with the top of the Roof Lath.



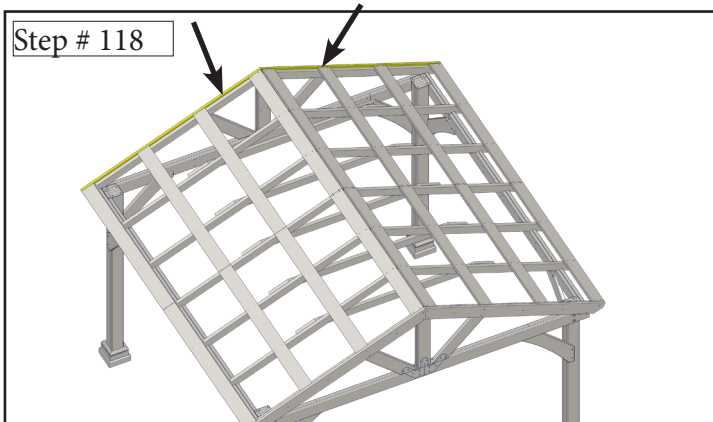
Align the bottom of the Gable Trim at the bottom with the end of the Rafter.



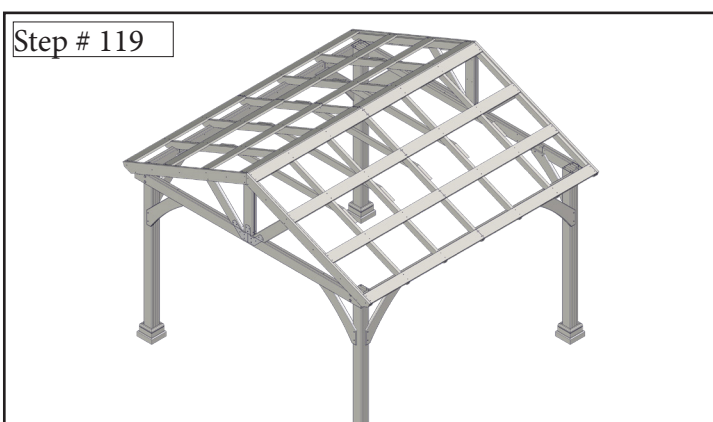
Fasten Gable Trim to Rafter with 2" Screws through all pre-drilled holes.



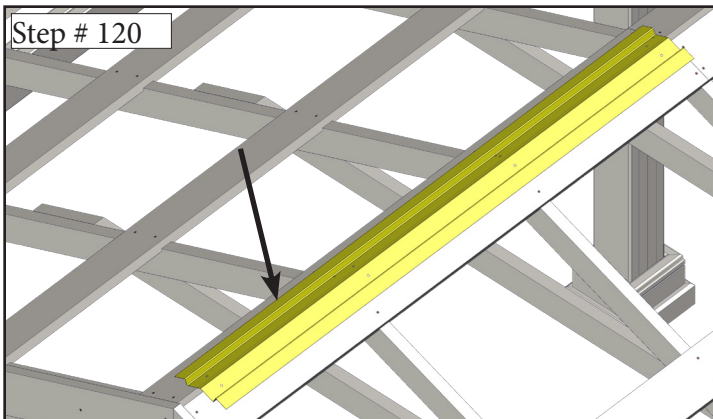
Repeat steps 113 - 116 to install the Gable Trim on the opposite side.



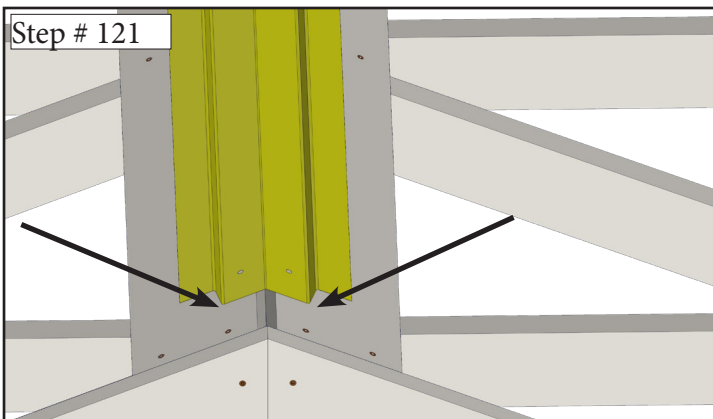
Repeat steps 113 - 116 to install the remaining two Gable Trims.



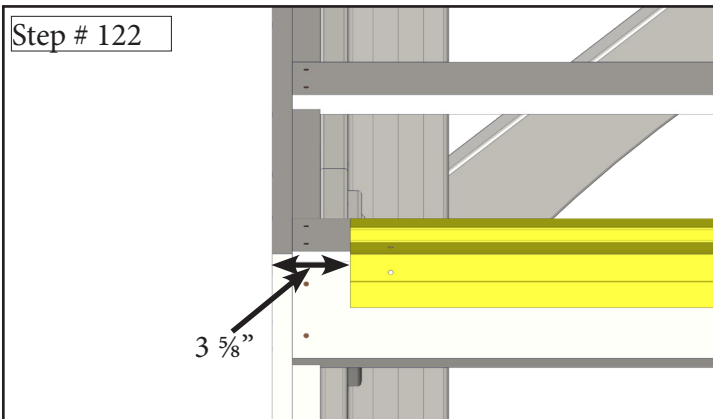
You are now ready to install the metal roof.



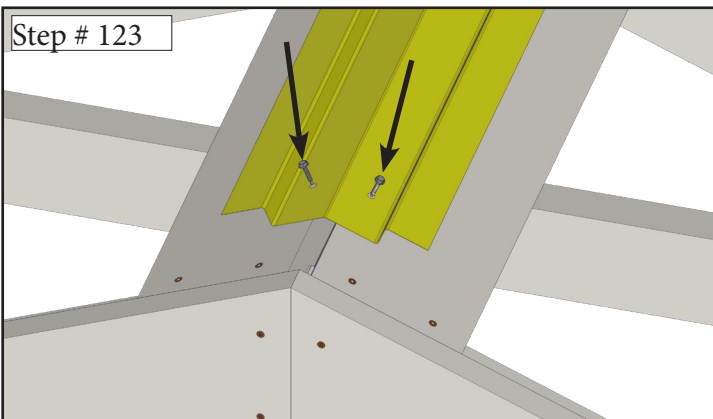
Locate the Metal Ridge Clips. Place on top of the Roof Lath at the very top of the Pavilion.



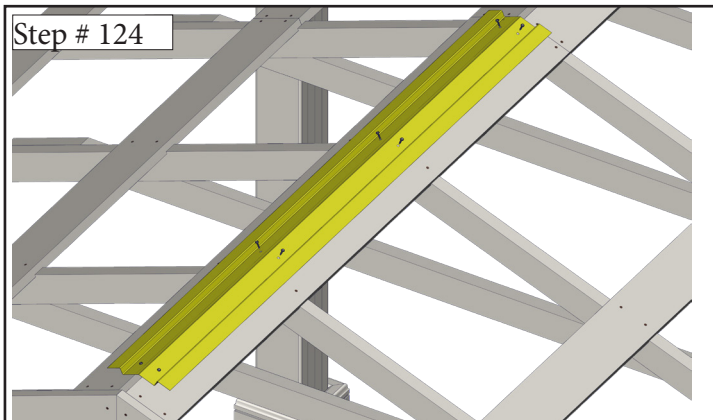
Align directly in the center on top of the two Roof Lath.



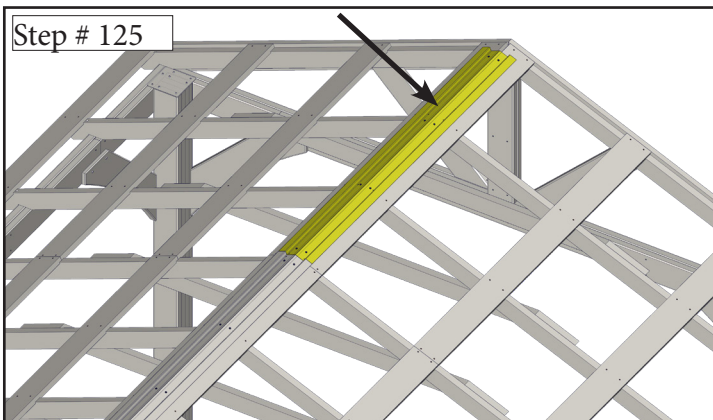
Measure the distance from the end of the Gable Trim to the Metal Ridge Clip. Adjust to make this distance 3 5/8\"/>



Fasten Metal Ridge Clip to Roof Lath with 3/4\"/>

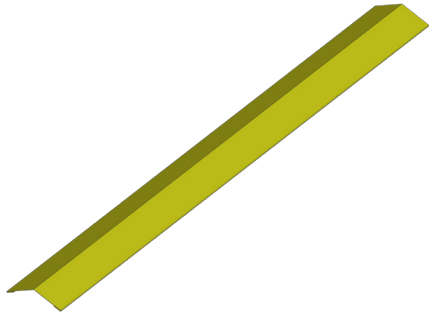


Keeping the Metal Ridge Clip aligned across the top, fasten to Roof Lath with 3/4\"/>



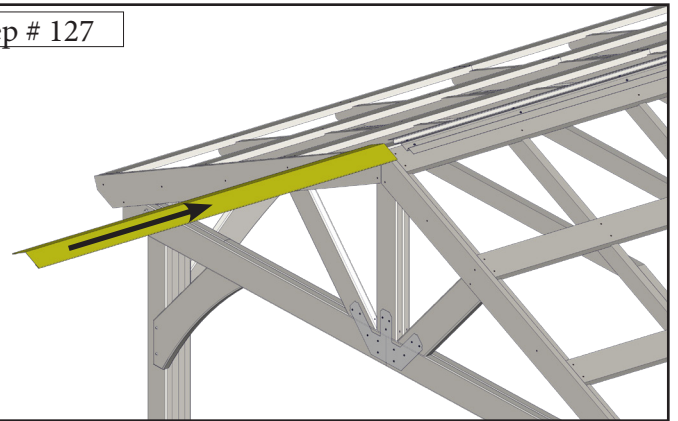
Repeat steps 120 - 124 to install the Metal Ridge Clip on the opposite side of the Pavilion.

Step # 126



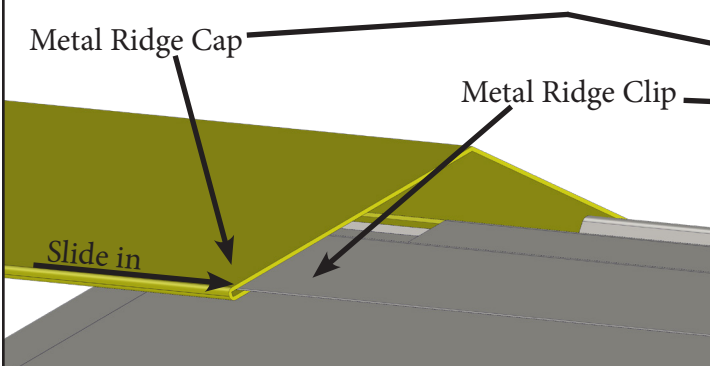
Locate the Metal Ridge Cap.

Step # 127



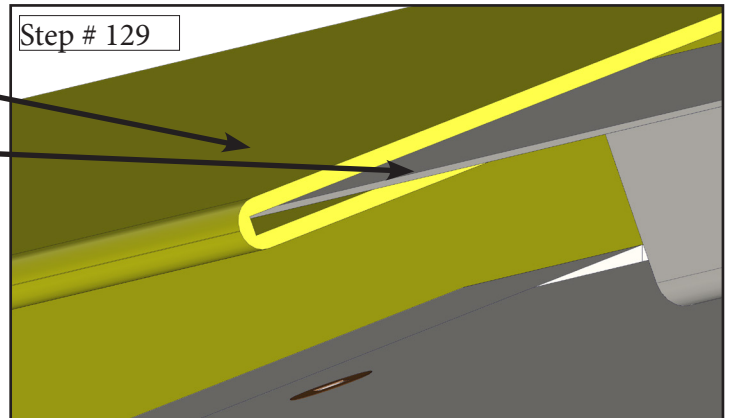
Slide in from one end through the Metal Ridge Clip.  
(See next steps for alignments)

Step # 128



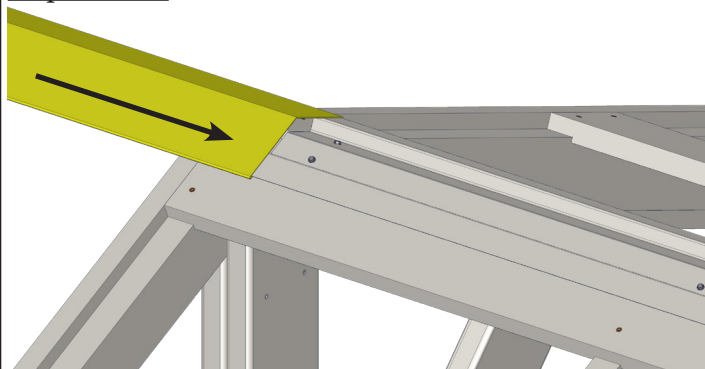
Insert the Metal Ridge Cap over the Metal Ridge Clip as shown.

Step # 129



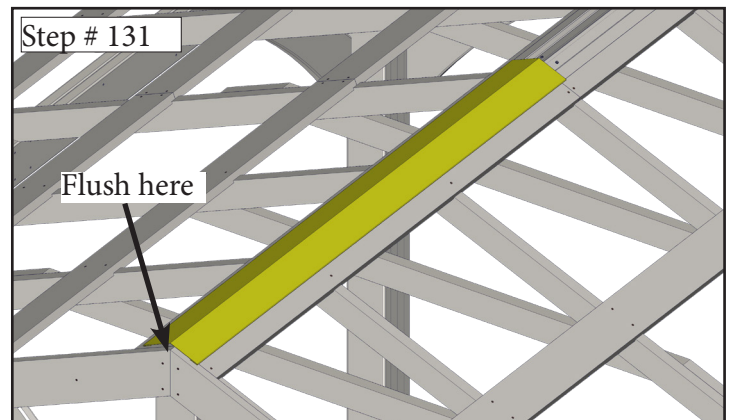
Be sure the Metal Ridge Clip goes inside the Metal Ridge Cap on both sides.

Step # 130



Slide the Metal Ridge Cap in.

Step # 131



Make the Metal Ridge Cap flush with the Gable Trim.

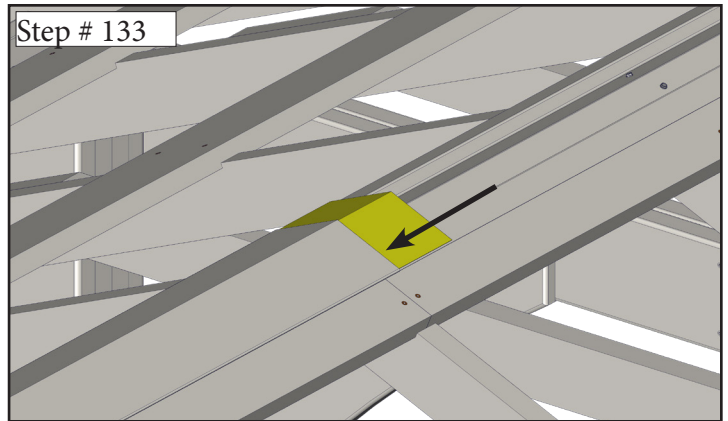


Step # 132



Locate the Piece for Ridge Cap Splice.

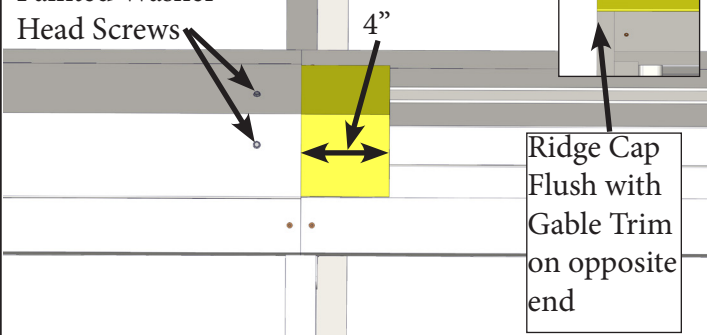
Step # 133



Slide the Ridge Cap Splice under the Ridge Cap.

Step # 134

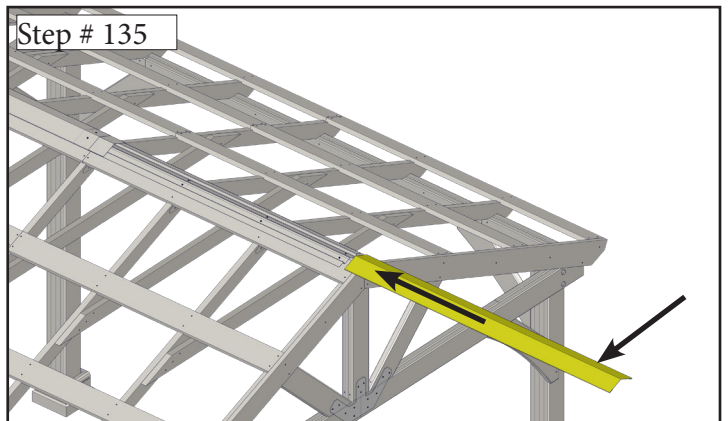
Painted Washer  
Head Screws



Ridge Cap  
Flush with  
Gable Trim  
on opposite  
end

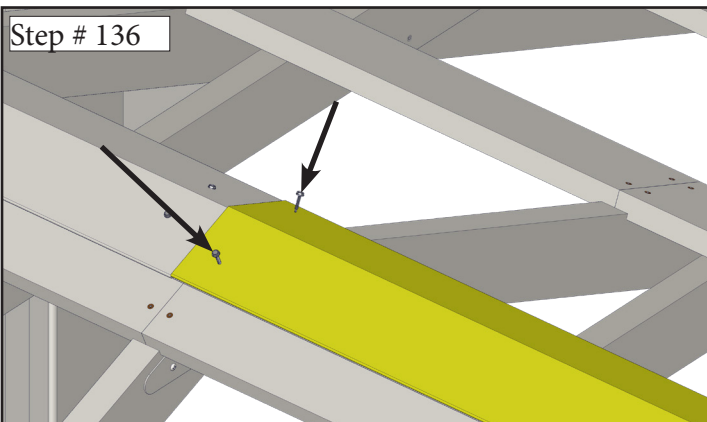
Let 4" of the Ridge Cap Splice Piece exposed. Be sure the opposite end of the Ridge Cap is flush with the Gable Trim, then fasten Ridge Cap to Ridge Clip with two (2) 3/4" Painted Washer Header Screws. One (1) on each side.

Step # 135



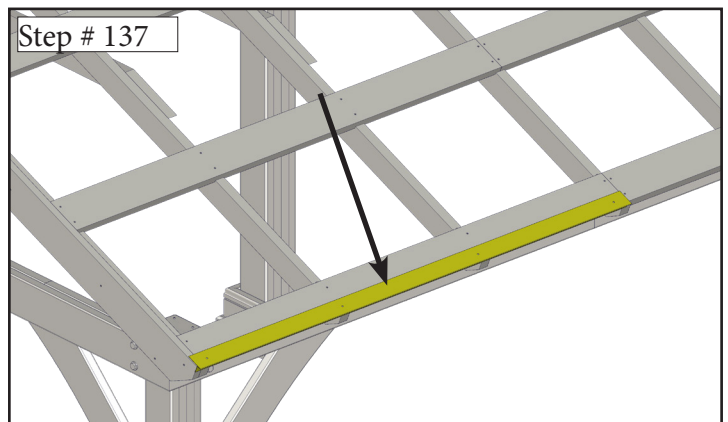
Repeat steps 127 - 131 to install the Metal Ridge Cap on the opposite side.

Step # 136

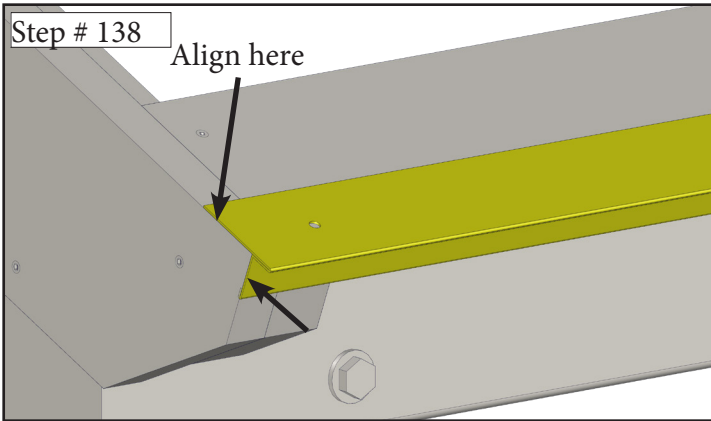


Fasten to the Ridge Cap Splice Piece and the Ridge Clip with two (2) 3/4" Painted Washer Head Screws. (One on each side)

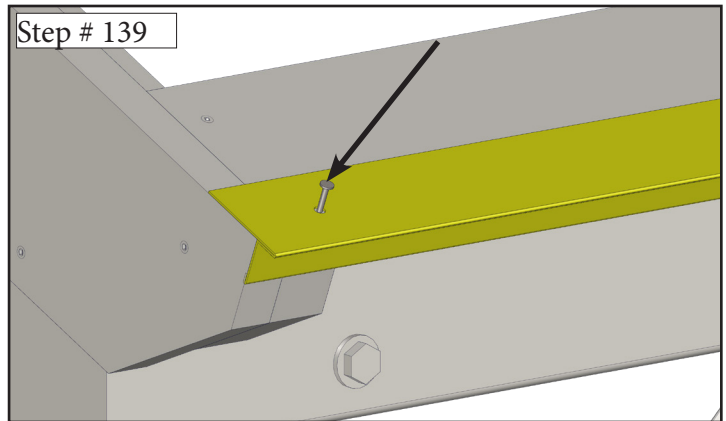
Step # 137



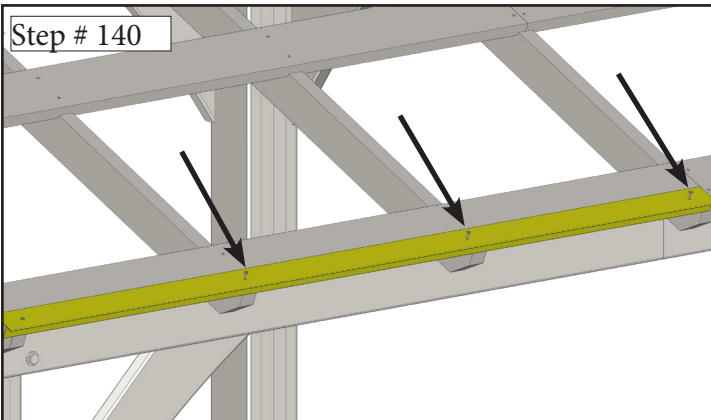
Locate the Metal Drip Edge. Place on top of the Roof Lath at the bottom side.



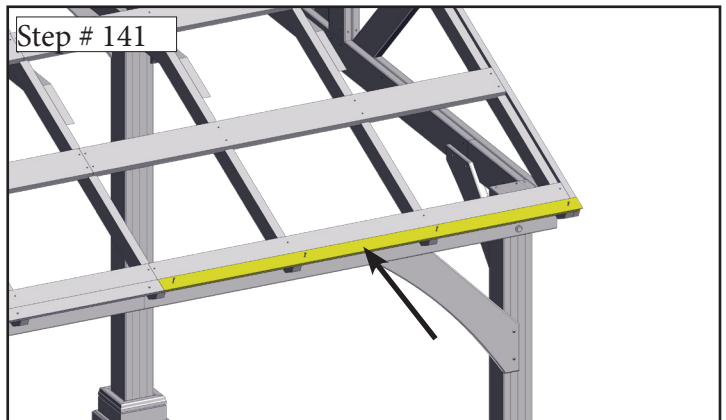
Align the Drip Edge with the end of the Gable Trim.



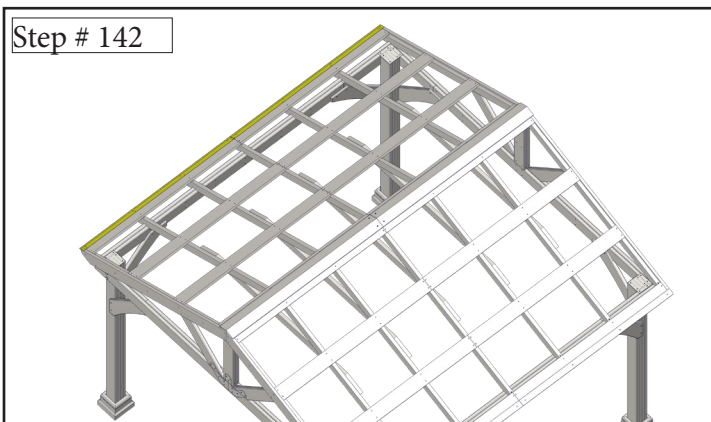
Fasten the Drip Edge with 3/4" Nails through pre-drilled holes.



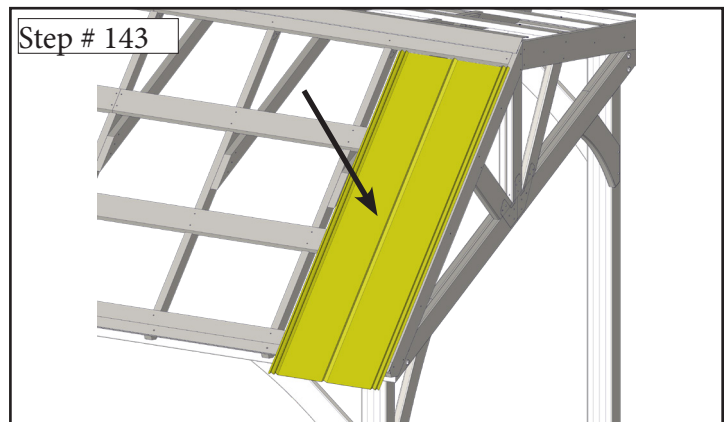
Install the remaining 3/4" Nails through the pre-drilled holes.



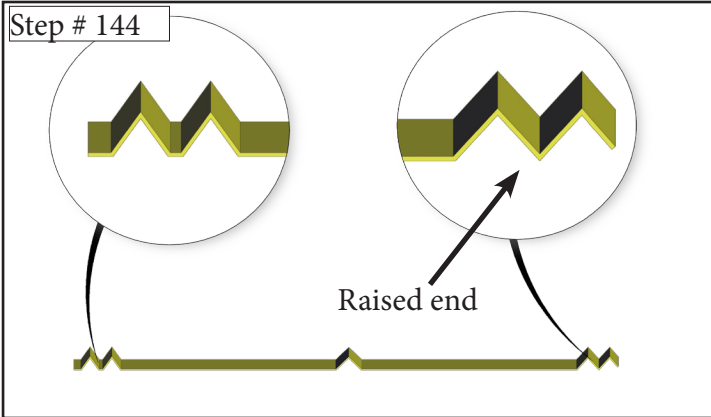
Repeat steps 137- 140 to install the Drip Edge next to the first one.



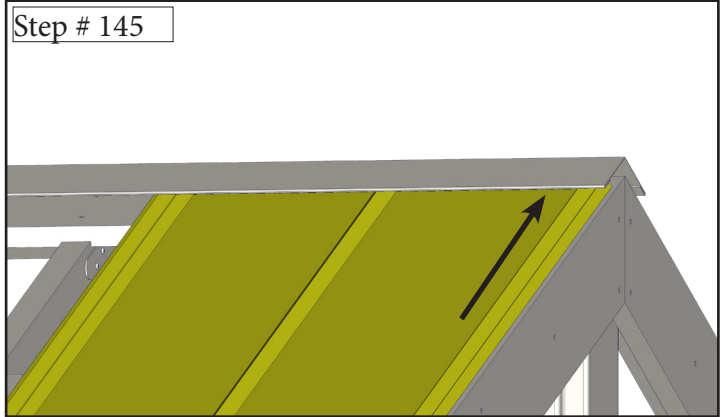
Repeat steps 137 - 141 to install the Drip Edge on the opposite side of the pavilion.



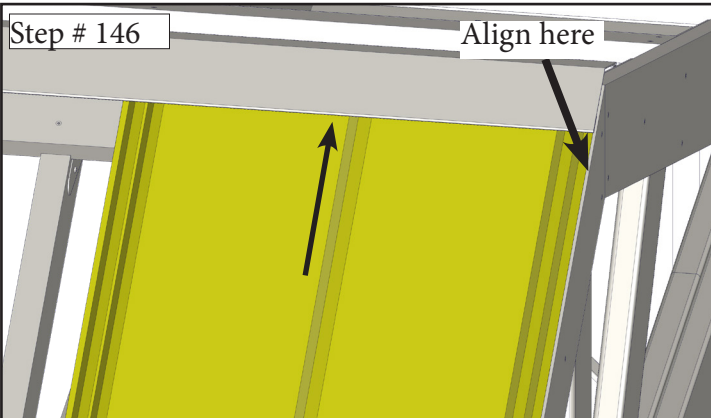
Locate the 5V Metal Panel. Place the first Metal Panel on top of the Roof Lath.



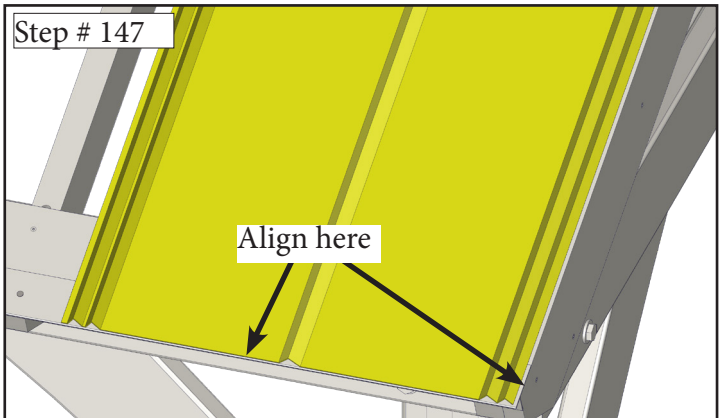
Notice the ends of the Metal Panel. Be sure to place in the correct orientation. Be sure the raised edge of the Metal Panel is towards the outside.



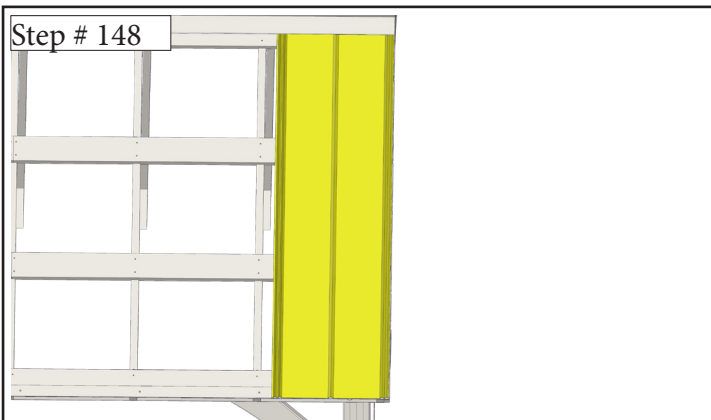
Push the Metal Panel under the Ridge Cap at the top.



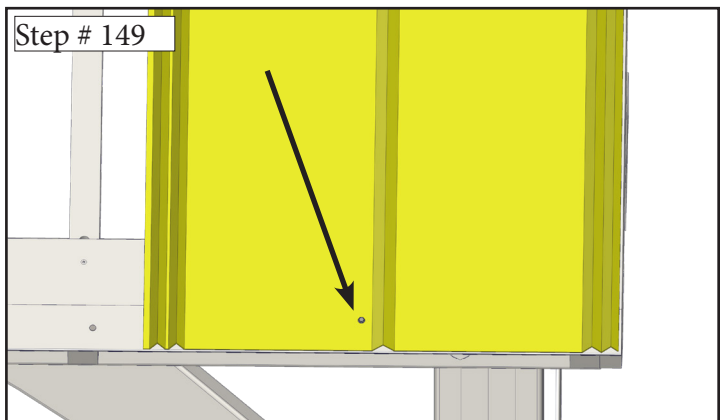
Push under the Ridge Cap and align with the Gable Trim.



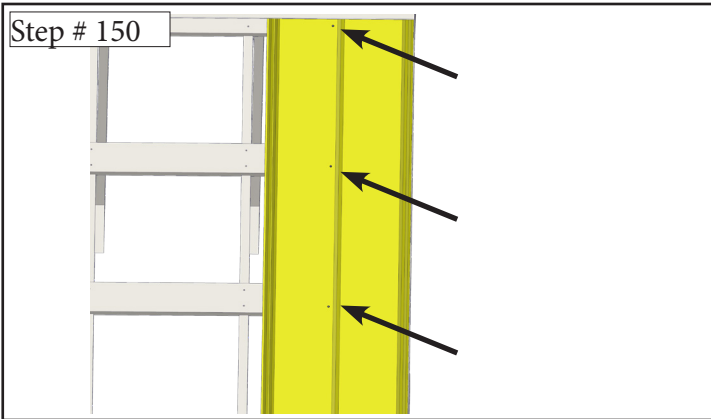
Align with the Metal Drip Edge and the Gable Trim at the bottom.



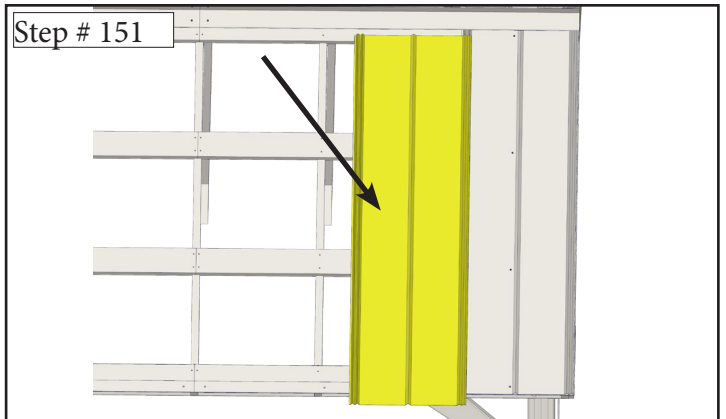
Metal Panel aligned.



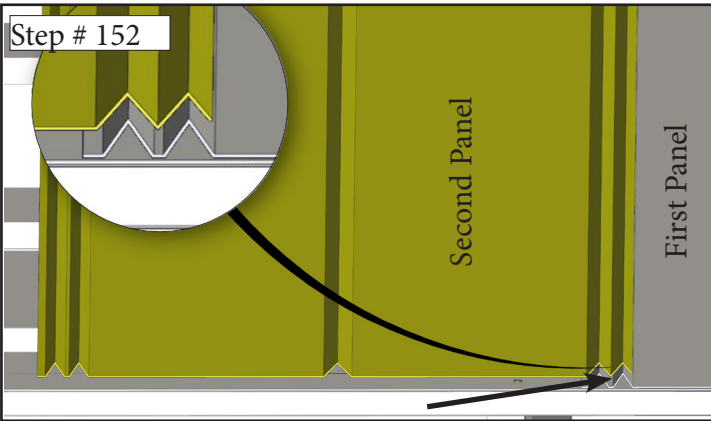
Fasten the Metal Panel to the Roof Lath with one (1) 3/4" Painted Washer Header Screw through pre-drilled hole. (Only fasten in the center for now.)



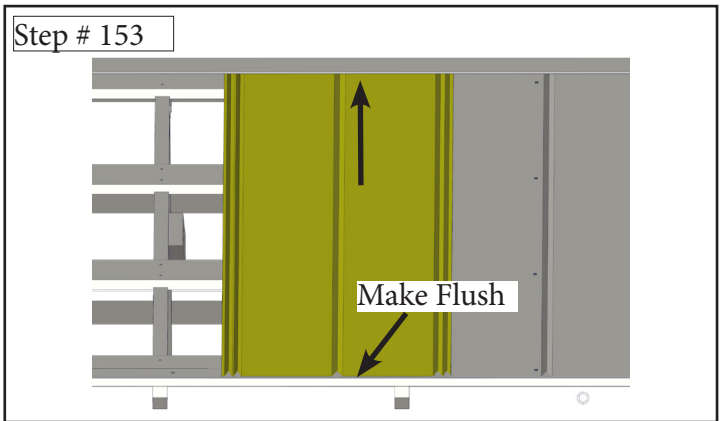
Install three (3) more 3/4" Painted Washer Header Screws through pre-drilled holes.



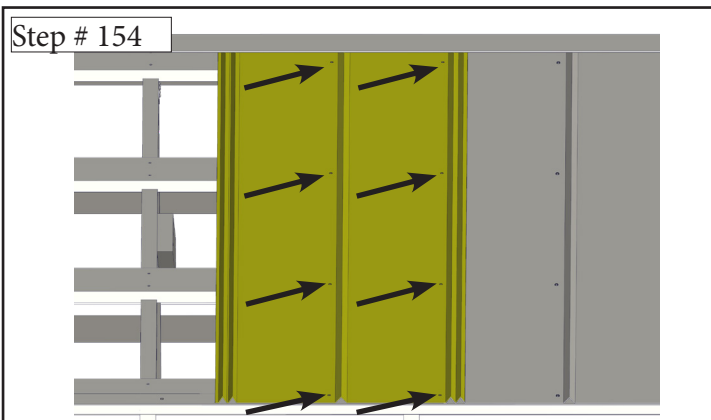
Place the second Metal Panel on top of the Roof Lath.



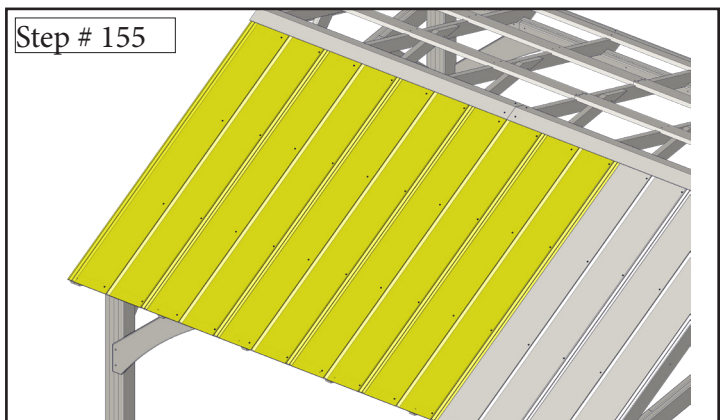
Place the end of the Second Panel over the first panel.



Slide under the Ridge Cap. Make flush at the bottom with the Drip Edge.



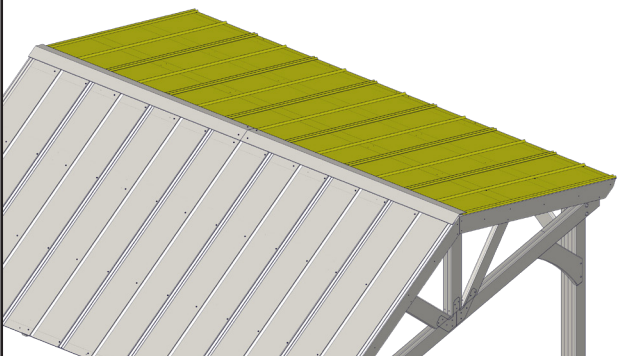
Fasten Metal Panel to Roof Lath with 3/4" Painted Washer Head Screws through pre-drilled holes.



Repeat steps 151 - 154 to install the remaining Metal Panels.

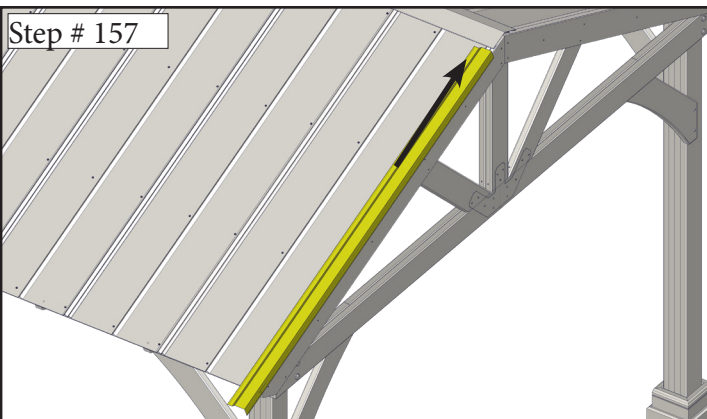


Step # 156



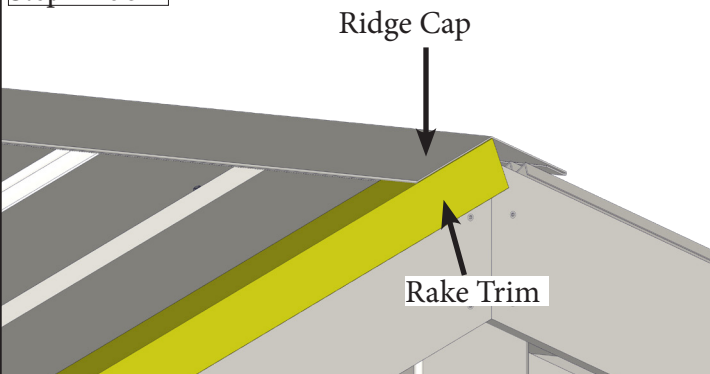
Repeat steps 143 - 155 to install the Metal Panels on the opposite side.

Step # 157



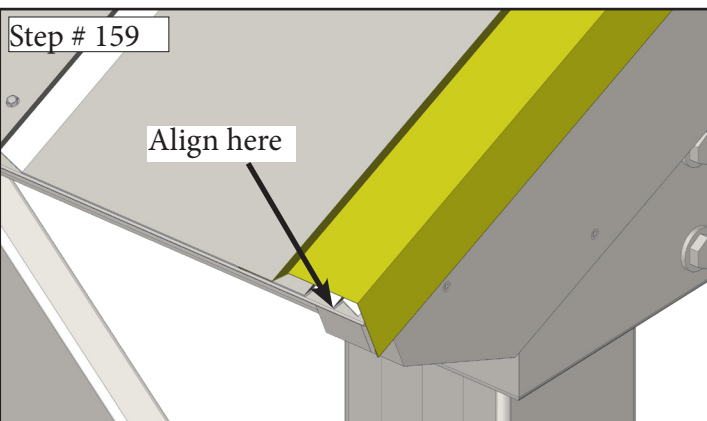
Locate the Metal Rake Trim. Place on top of the Metal Panel at the end. Slide under the Ridge Cap at the top.

Step # 158



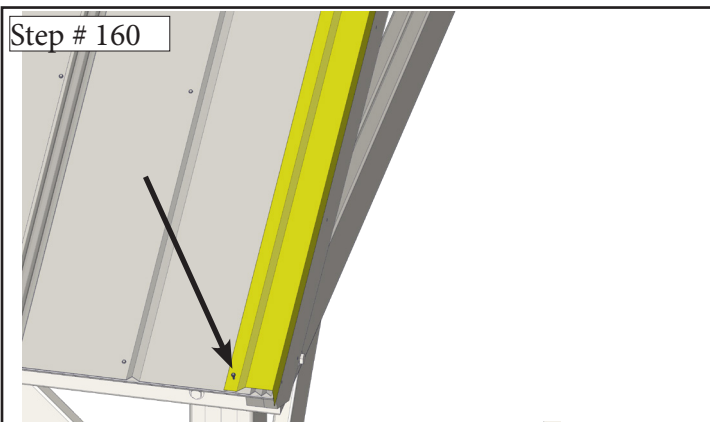
Be sure to slide the Metal Rake Trim under the Ridge Cap. (You may need to lift the Ridge Cap slightly to get the Metal Rake Trim under it.)

Step # 159



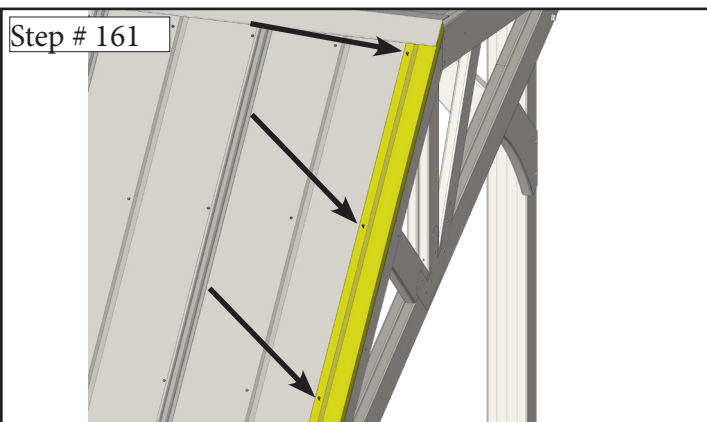
Align the Rake Trim with the Drip Edge at the bottom and push in against the Gable Trim.

Step # 160

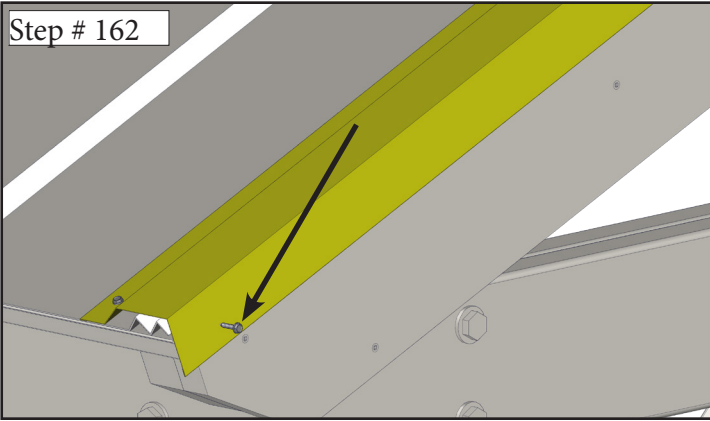


Fasten the Rake Trim with one (1) 3/4" Painted Washer Head Screw through pre-drilled hole.

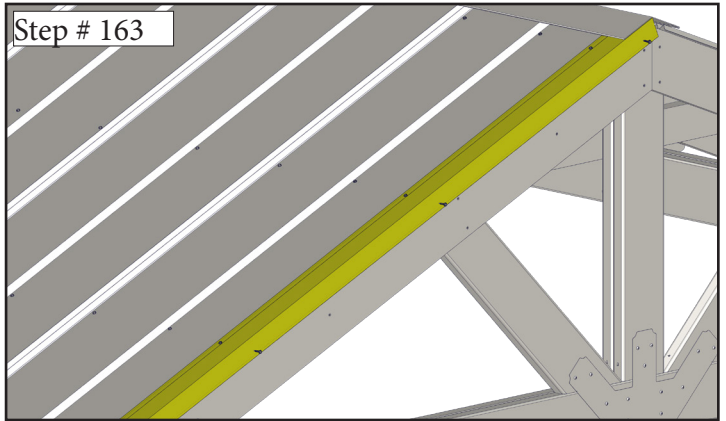
Step # 161



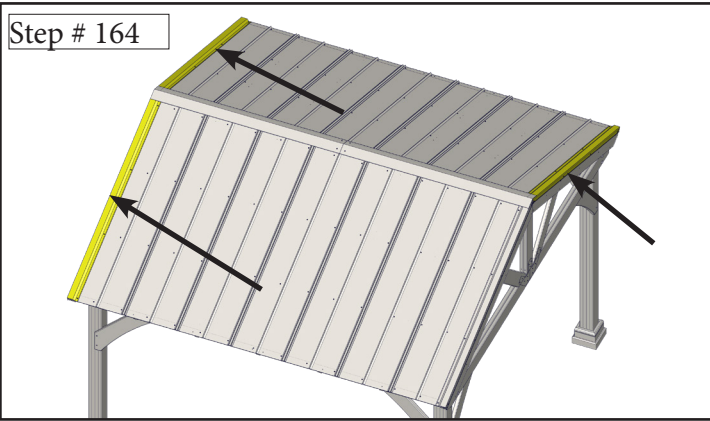
Fasten the Rake Trim at each Roof Lath location with one (1) 3/4" Painted Washer Header Screw through pre-drilled hole.



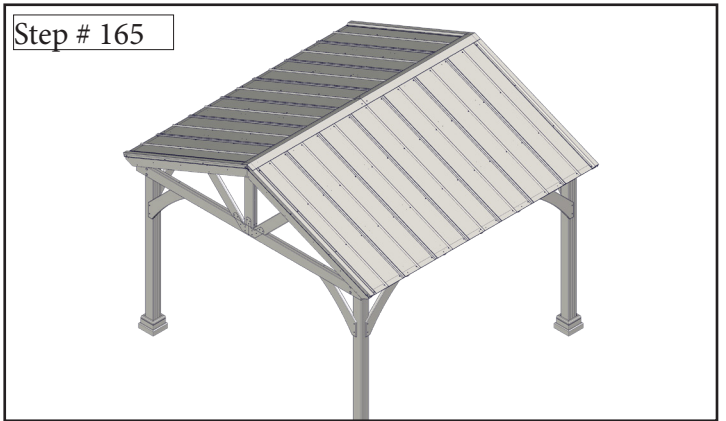
Fasten Rake Trim from the side with one (1)  $\frac{3}{4}$ " Painted Washer Head Screw through pre-drilled hole.



Fasten the Rake Trim from the side with  $\frac{3}{4}$ " Painted Washer Head Screw through the remaining pre-drilled holes.



Repeat steps 157 - 163 to install the remaining Rake Trim on the opposite sides of the Pavilion.



Enjoy your Pavilion.

# Congratulations!

## Enjoy your new Pavilion!



**YardCraft**<sup>®</sup>  
rediscover life outdoors

*YardCraft.com*

*Info@YardCraft.com*

*271 S Shirk Road*

*New Holland PA 17557*

*1-844-442-1615*