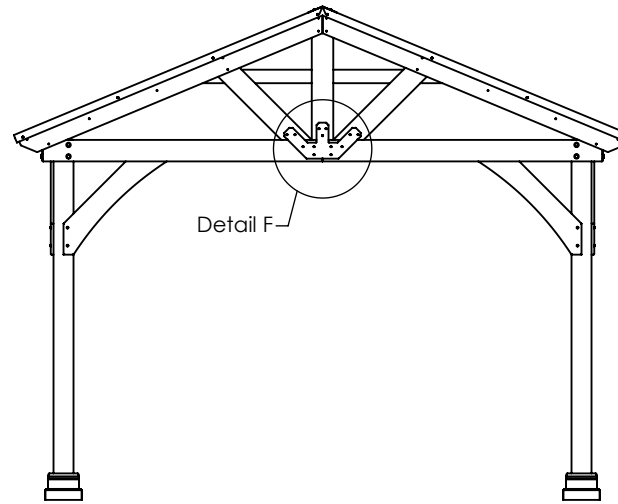
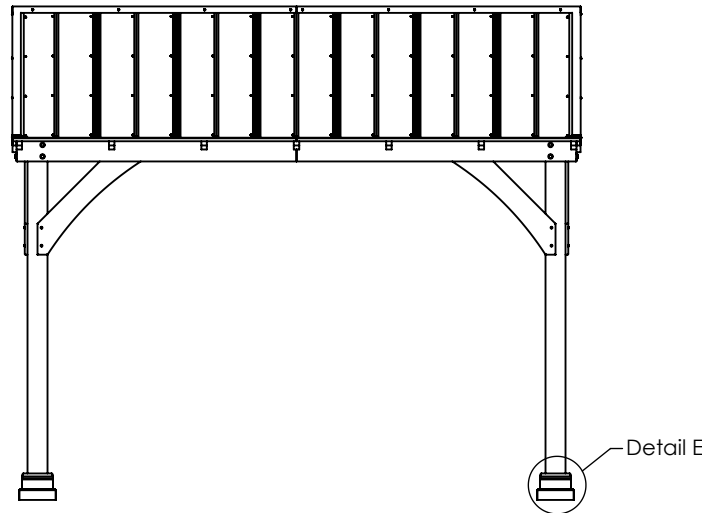


12x12 Pavilion



End Elevation



Side Elevation

DESIGN REQUIREMENTS

1. Governing Code:
Including, not limited to: IBC 2015 (ASCE 7-10)
Risk Category: 1
2. Live Load: 10 psf
4. Ground Snow Load: 30 psf with 2x6 Headers.
45 psf if upgraded to 2x8 Headers.
5. Wind Load:
Basic Wind Speed (V): 140 mph
Open Building, Unrestricted Flow
6. Uplift at each Column Base: 108 lb.



191 JALYN DRIVE NEW HOLLAND, PA 17557
PH: 1-866-210-9273

WWW.YARDCRAFT.COM

THIS DRAWING IS THE PROPERTY OF YARD CRAFT. ANY REPRODUCTION, ALTERATION, OR USE OF THIS DRAWING, WITHOUT THE WRITTEN CONSENT OF YARD CRAFT, IS PROHIBITED. DRAWINGS SHALL NOT BE SCALED TO OBTAIN DIMENSIONS. THE CONTRACTORS/DEALERS, AND BUILDERS INVOLVED ON THIS PROJECT SHALL VERIFY ALL DIMENSIONS AND CONDITIONS BEFORE STARTING WORK. ANY DISCREPANCY SHALL BE REPORTED IN WRITING BEFORE STARTING WORK.

CONTRACTOR:
YardCraft

DRAWING TITLE:
Elevation Plans

PROJECT:
12x12 A-Frame Pavilion

COMMENTS:

REVISIONS:	DATE:	BY:

DRAWING NUMBER: 18-552

DATE: 8/17/2018	PAGE: 1 of 10
-----------------	---------------

BY: JR.	SCALE: 1:48
---------	-------------



191 JALYN DRIVE NEW HOLLAND, PA 17557
PH: 1-866-210-9273

WWW.YARDCRAFT.COM

THIS DRAWING IS THE PROPERTY OF YARD CRAFT. ANY REPRODUCTION, ALTERATION, OR USE OF THIS DRAWING, WITHOUT THE WRITTEN CONSENT OF YARD CRAFT, IS PROHIBITED. DRAWINGS SHALL NOT BE SCALED TO OBTAIN DIMENSIONS. THE CONTRACTORS/DEALERS, AND BUILDERS INVOLVED ON THIS PROJECT SHALL VERIFY ALL DIMENSIONS AND CONDITIONS BEFORE STARTING WORK. ANY DISCREPANCY SHALL BE REPORTED IN WRITING BEFORE STARTING WORK.

CONTRACTOR:
YardCraft

DRAWING TITLE:
Post Layout Plan

PROJECT:
12x12 A-Frame Pavilion

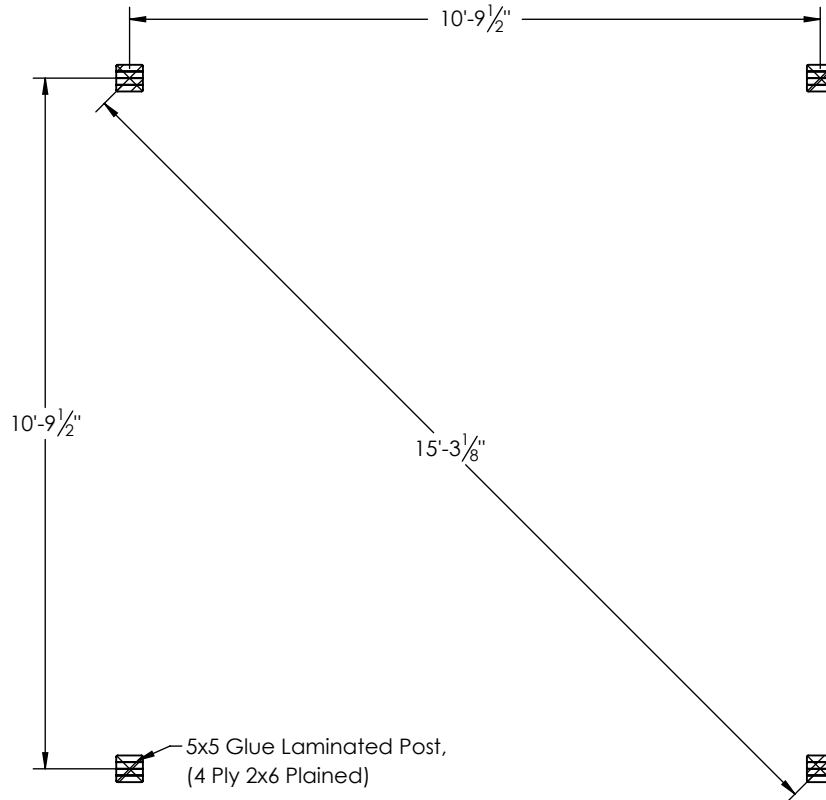
COMMENTS:

REVISIONS:	DATE:	BY:
------------	-------	-----

DRAWING NUMBER: 18-552

DATE: 8/17/2018	PAGE: 2 of 10
-----------------	---------------

BY: JR.	SCALE: 1:36
---------	-------------



Post Layout Plan

THIS DRAWING IS THE PROPERTY OF YARD CRAFT. ANY REPRODUCTION, ALTERATION, OR USE OF THIS DRAWING, WITHOUT THE WRITTEN CONSENT OF YARD CRAFT, IS PROHIBITED. DRAWINGS SHALL NOT BE SCALED TO OBTAIN DIMENSIONS. THE CONTRACTORS/DEALERS, AND BUILDERS INVOLVED ON THIS PROJECT SHALL VERIFY ALL DIMENSIONS AND CONDITIONS BEFORE STARTING WORK. ANY DISCREPANCY SHALL BE REPORTED IN WRITING BEFORE STARTING WORK.

CONTRACTOR:
YardCraft

DRAWING TITLE:
Roof Framing Plan

PROJECT:
12x12 A-Frame Pavilion

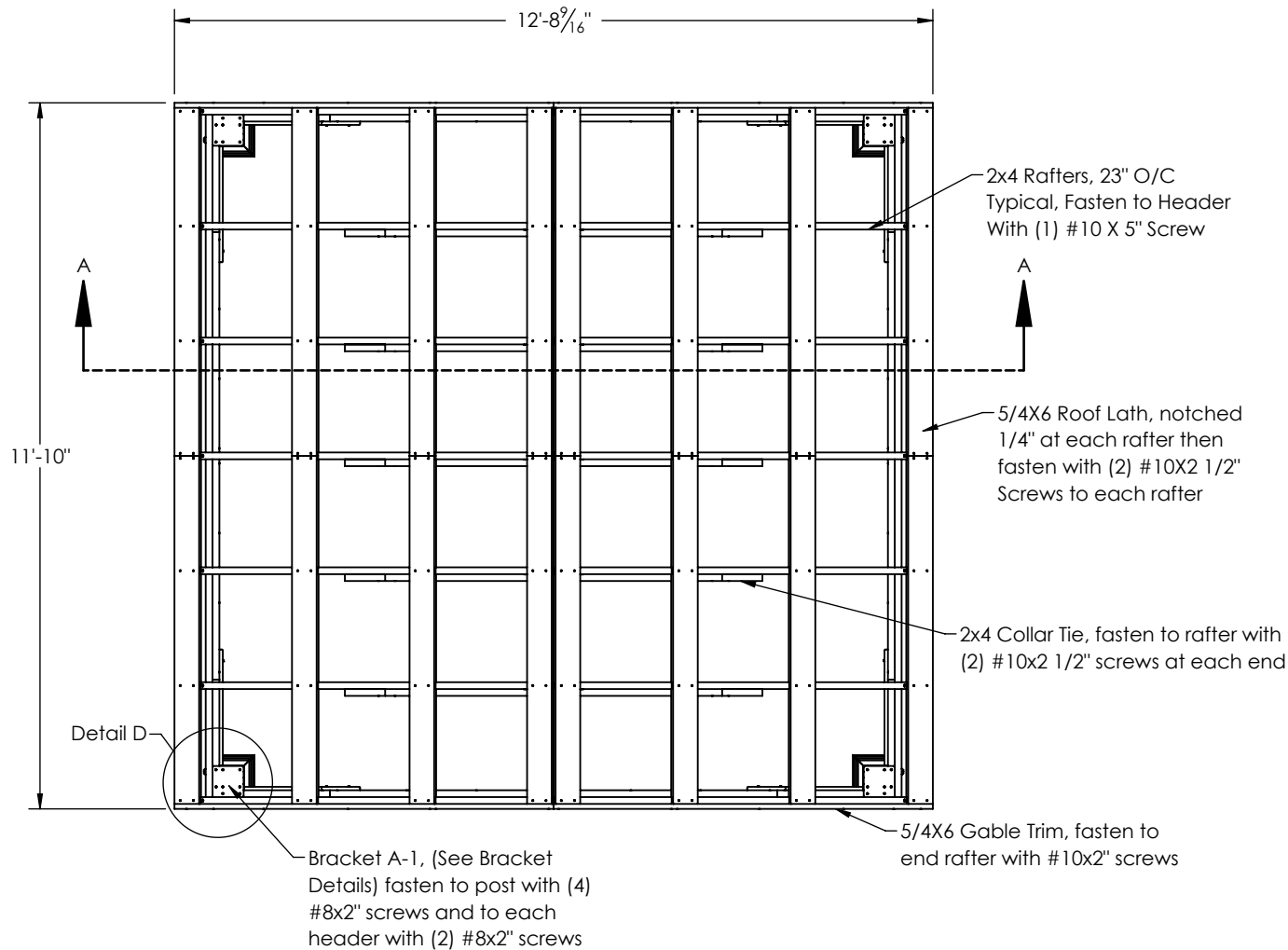
COMMENTS:

REVISIONS:	DATE:	BY:
------------	-------	-----

DRAWING NUMBER: 18-552

DATE: 8/17/2018	PAGE: 3 of 10
-----------------	---------------

BY: JR.	SCALE: 1:36
---------	-------------



Roof Framing Plan

THIS DRAWING IS THE PROPERTY OF YARD CRAFT. ANY REPRODUCTION, ALTERATION, OR USE OF THIS DRAWING, WITHOUT THE WRITTEN CONSENT OF YARD CRAFT, IS PROHIBITED. DRAWINGS SHALL NOT BE SCALED TO OBTAIN DIMENSIONS. THE CONTRACTORS/DEALERS, AND BUILDERS INVOLVED ON THIS PROJECT SHALL VERIFY ALL DIMENSIONS AND CONDITIONS BEFORE STARTING WORK. ANY DISCREPANCY SHALL BE REPORTED IN WRITING BEFORE STARTING WORK.

CONTRACTOR:
YardCraft

DRAWING TITLE:
Cross Section

PROJECT:
12x12 A-Frame Pavilion

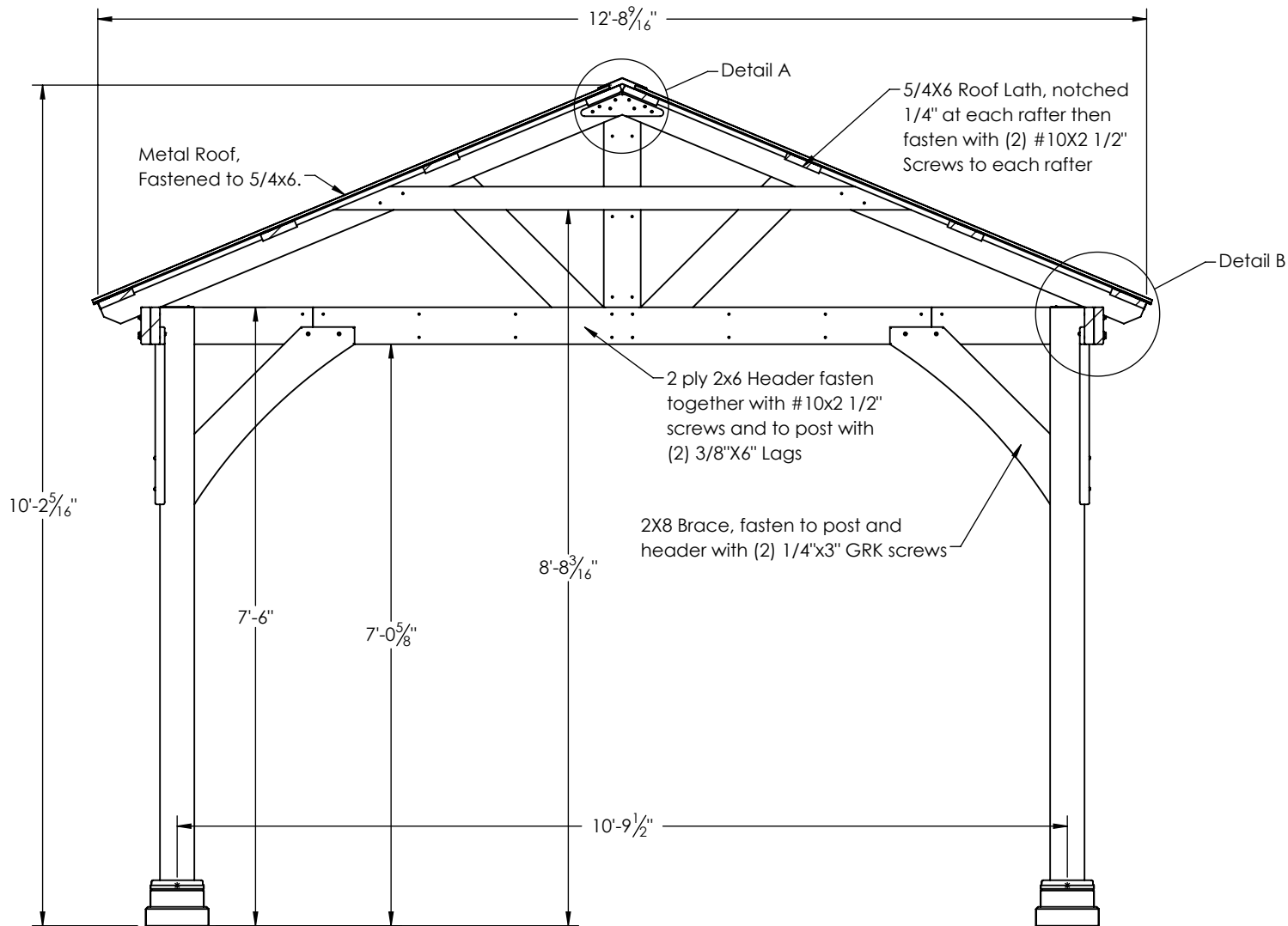
COMMENTS:

REVISIONS:	DATE:	BY:
------------	-------	-----

DRAWING NUMBER: 18-552

DATE: 8/17/2018	PAGE: 4 of 10
-----------------	---------------

BY: JR.	SCALE: 1:24
---------	-------------



CROSS SECTION A-A

THIS DRAWING IS THE PROPERTY OF YARD CRAFT. ANY REPRODUCTION, ALTERATION, OR USE OF THIS DRAWING, WITHOUT THE WRITTEN CONSENT OF YARD CRAFT, IS PROHIBITED. DRAWINGS SHALL NOT BE SCALED TO OBTAIN DIMENSIONS. THE CONTRACTORS/DEALERS, AND BUILDERS INVOLVED ON THIS PROJECT SHALL VERIFY ALL DIMENSIONS AND CONDITIONS BEFORE STARTING WORK. ANY DISCREPANCY SHALL BE REPORTED IN WRITING BEFORE STARTING WORK.

CONTRACTOR:
YardCraft

DRAWING TITLE:
Details

PROJECT:
12x12 A-Frame Pavilion

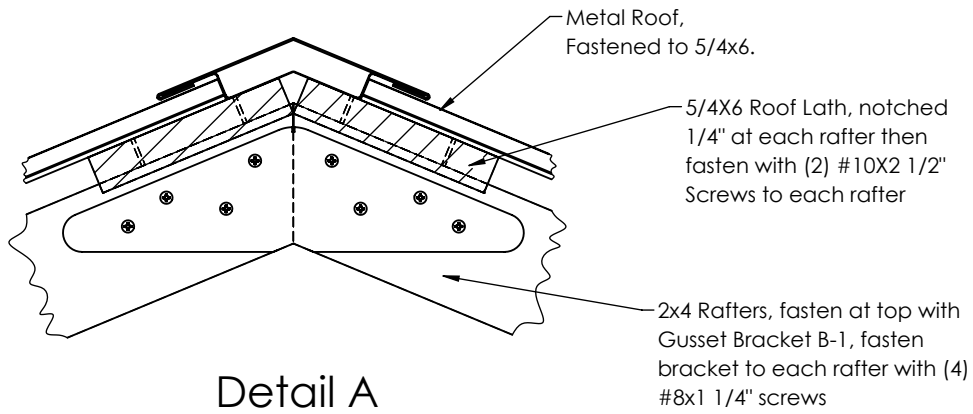
COMMENTS:

REVISIONS:	DATE:	BY:
------------	-------	-----

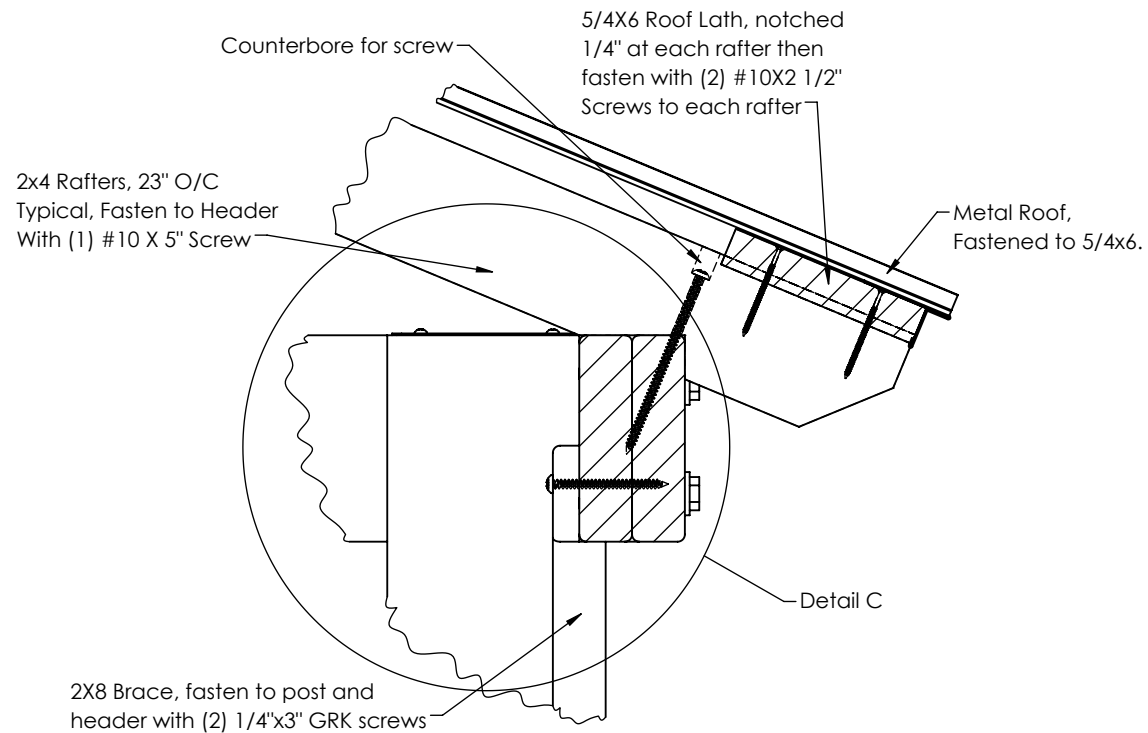
DRAWING NUMBER: 18-552

DATE: 8/17/2018	PAGE: 5 of 10
-----------------	---------------

BY: JR.	SCALE: 1:5
---------	------------



Detail A



Detail B

THIS DRAWING IS THE PROPERTY OF YARD CRAFT. ANY REPRODUCTION, ALTERATION, OR USE OF THIS DRAWING, WITHOUT THE WRITTEN CONSENT OF YARD CRAFT, IS PROHIBITED. DRAWINGS SHALL NOT BE SCALED TO OBTAIN DIMENSIONS. THE CONTRACTORS/DEALERS, AND BUILDERS INVOLVED ON THIS PROJECT SHALL VERIFY ALL DIMENSIONS AND CONDITIONS BEFORE STARTING WORK. ANY DISCREPANCY SHALL BE REPORTED IN WRITING BEFORE STARTING WORK.

CONTRACTOR:
YardCraft

DRAWING TITLE:
Details 2

PROJECT:
12x12 A-Frame Pavilion

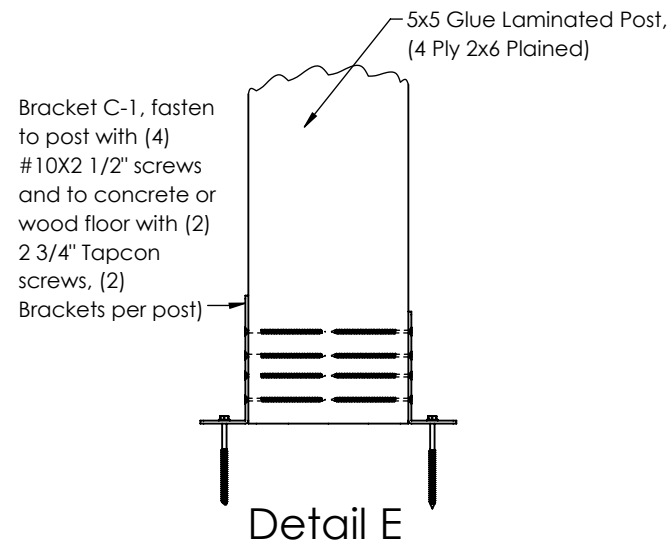
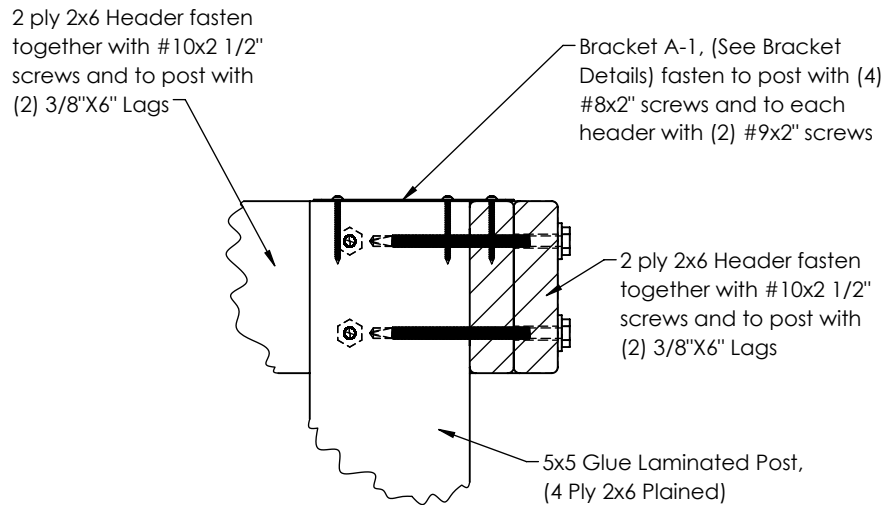
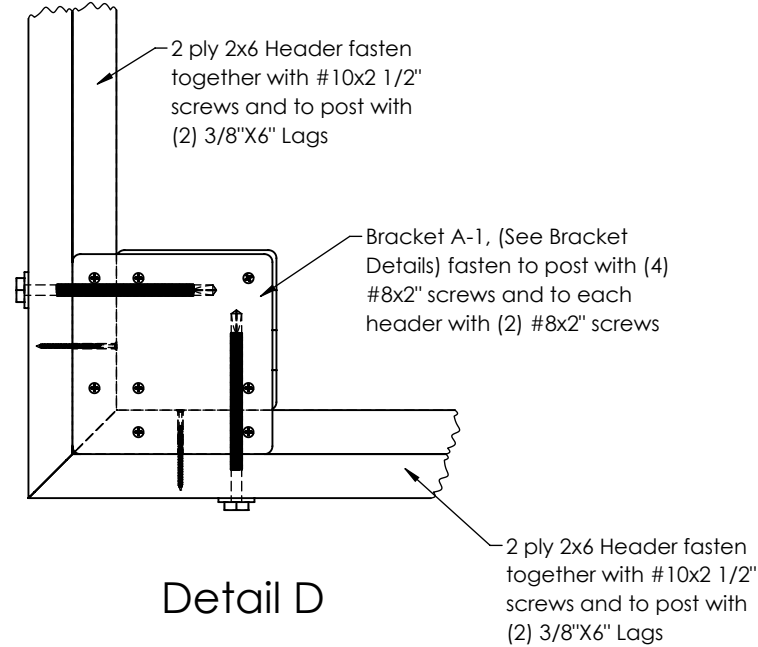
COMMENTS:

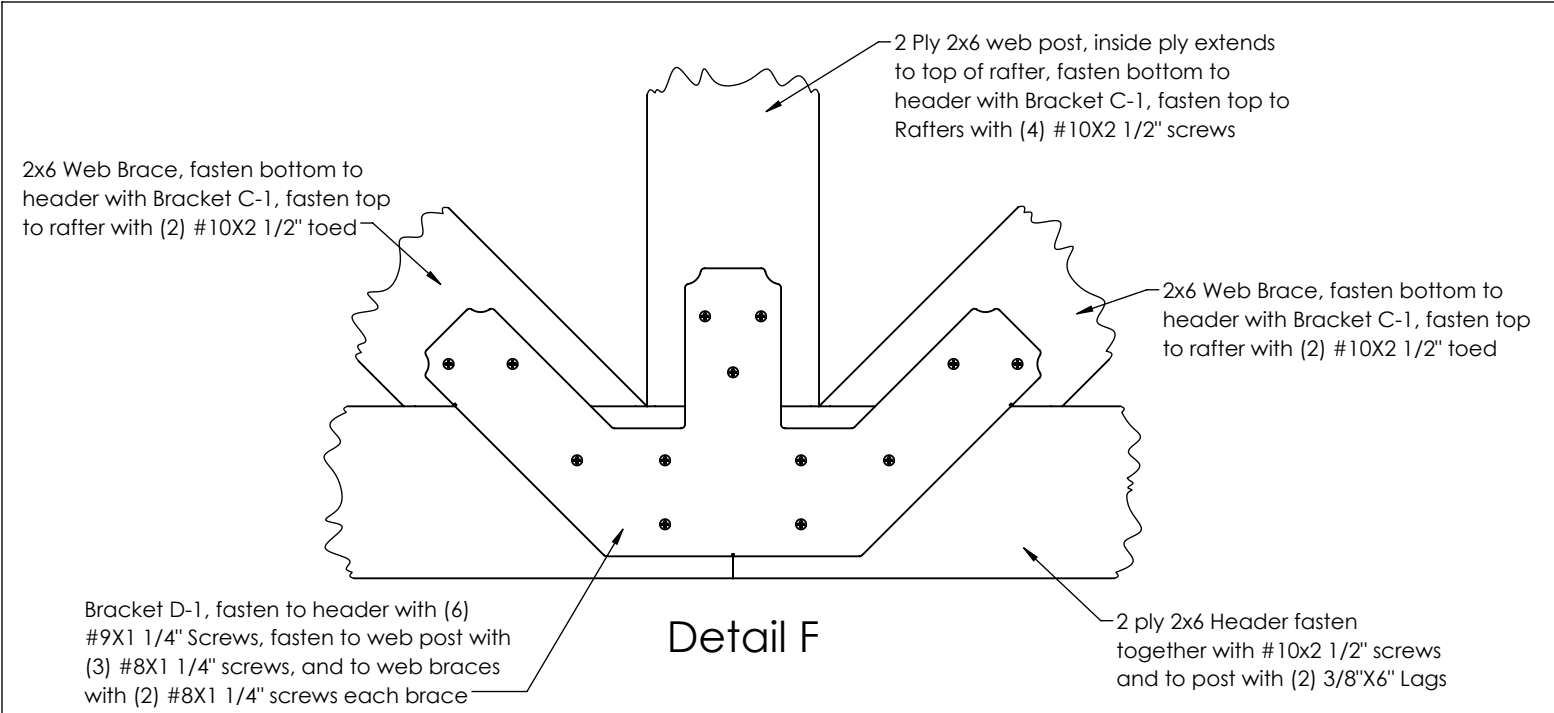
REVISIONS:	DATE:	BY:
------------	-------	-----

DRAWING NUMBER: 18-552

DATE: 8/17/2018	PAGE: 6 of 10
-----------------	---------------

BY: JR.	SCALE: 1:6
---------	------------





Detail F



191 JALYN DRIVE NEW HOLLAND, PA 17557
PH: 1-866-210-9273

WWW.YARDCRAFT.COM

THIS DRAWING IS THE PROPERTY OF YARD CRAFT. ANY REPRODUCTION, ALTERATION, OR USE OF THIS DRAWING, WITHOUT THE WRITTEN CONSENT OF YARD CRAFT, IS PROHIBITED. DRAWINGS SHALL NOT BE SCALED TO OBTAIN DIMENSIONS. THE CONTRACTORS/DEALERS, AND BUILDERS INVOLVED ON THIS PROJECT SHALL VERIFY ALL DIMENSIONS AND CONDITIONS BEFORE STARTING WORK. ANY DISCREPANCY SHALL BE REPORTED IN WRITING BEFORE STARTING WORK.

CONTRACTOR:
YardCraft

DRAWING TITLE:
Details 3

PROJECT:
12x12 A-Frame Pavilion

COMMENTS:

REVISIONS:	DATE:	BY:

DRAWING NUMBER: 18-552

DATE: 8/17/2018 PAGE: 7 of 10

BY: JR. SCALE: 1:6

THIS DRAWING IS THE PROPERTY OF YARD CRAFT. ANY REPRODUCTION, ALTERATION, OR USE OF THIS DRAWING, WITHOUT THE WRITTEN CONSENT OF YARD CRAFT, IS PROHIBITED. DRAWINGS SHALL NOT BE SCALED TO OBTAIN DIMENSIONS. THE CONTRACTORS/DEALERS, AND BUILDERS INVOLVED ON THIS PROJECT SHALL VERIFY ALL DIMENSIONS AND CONDITIONS BEFORE STARTING WORK. ANY DISCREPANCY SHALL BE REPORTED IN WRITING BEFORE STARTING WORK.

CONTRACTOR:
YardCraft

DRAWING TITLE:
Bracket Details

PROJECT:
12x12 A-Frame Pavilion

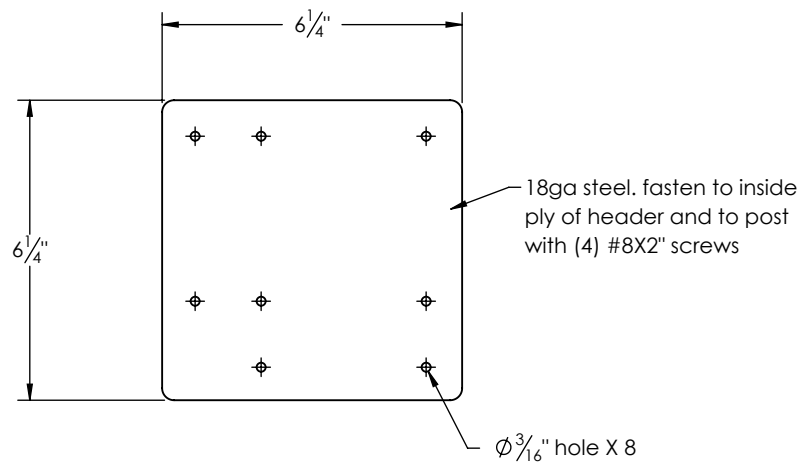
COMMENTS:

REVISIONS:	DATE:	BY:
------------	-------	-----

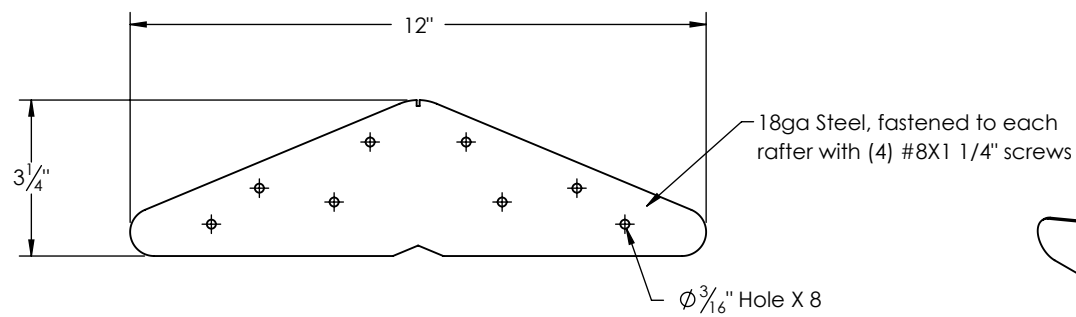
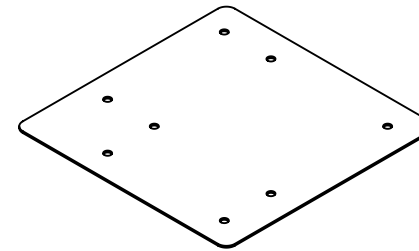
DRAWING NUMBER: 18-552

DATE: 8/17/2018	PAGE: 8 of 10
-----------------	---------------

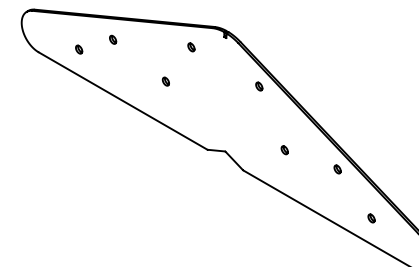
BY: JR.	SCALE: 1:4
---------	------------

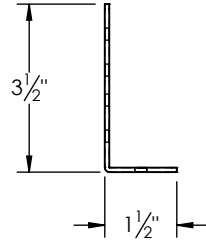
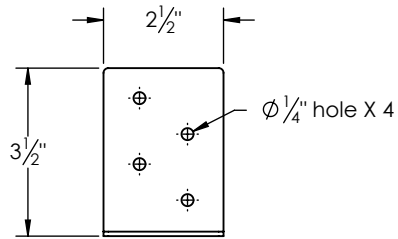
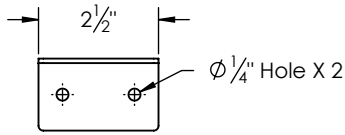


Bracket A-1

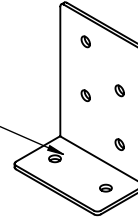


Bracket B-1

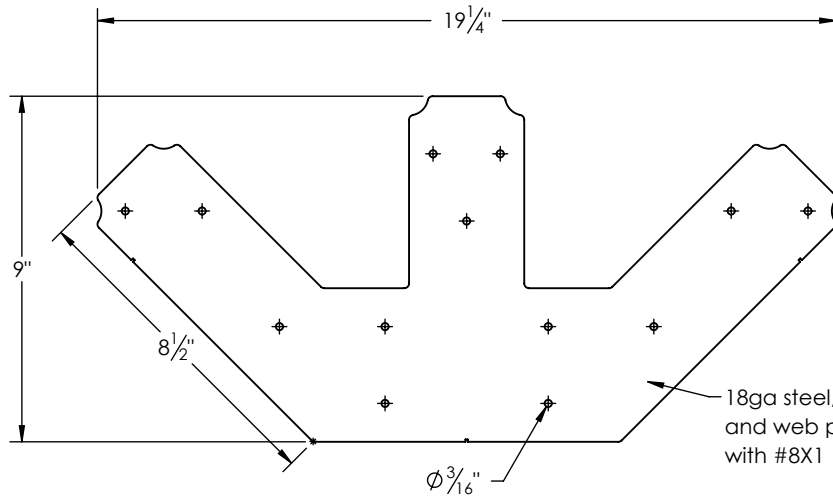




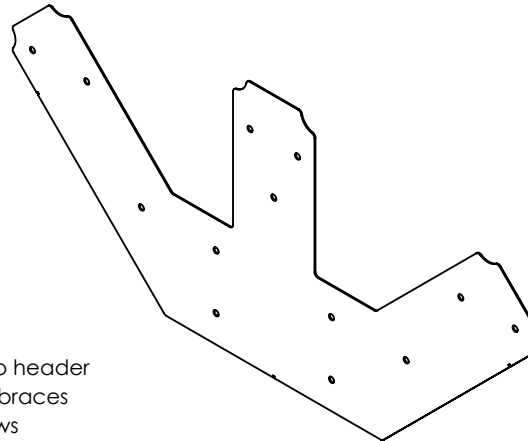
10ga steel, fasten to post with
 (4) #10X2 1/2" screws and to
 concrete or wood floor with
 (2) 2 3/4" Tapcon screws



Bracket C-1



18ga steel, fasten to header
 and web post and braces
 with #8X1 1/4" screws



Bracket D-1



191 JALYN DRIVE NEW HOLLAND, PA 17557
 PH: 1-866-210-9273

WWW.YARDCRAFT.COM

THIS DRAWING IS THE PROPERTY OF YARD CRAFT. ANY REPRODUCTION, ALTERATION, OR USE OF THIS DRAWING, WITHOUT THE WRITTEN CONSENT OF YARD CRAFT, IS PROHIBITED. DRAWINGS SHALL NOT BE SCALED TO OBTAIN DIMENSIONS. THE CONTRACTORS/DEALERS, AND BUILDERS INVOLVED ON THIS PROJECT SHALL VERIFY ALL DIMENSIONS AND CONDITIONS BEFORE STARTING WORK. ANY DISCREPANCY SHALL BE REPORTED IN WRITING BEFORE STARTING WORK.

CONTRACTOR:
 YardCraft

DRAWING TITLE:
 Bracket Details 2

PROJECT:
 12x12 A-Frame Pavilion

COMMENTS:

REVISIONS:	DATE:	BY:
------------	-------	-----

DRAWING NUMBER: 18-552

DATE: 8/17/2018	PAGE: 9 of 10
-----------------	---------------

BY: JR.	SCALE: 1:4
---------	------------



191 JALYN DRIVE NEW HOLLAND, PA 17557
 PH: 1-866-210-9273

WWW.YARDCRAFT.COM

THIS DRAWING IS THE PROPERTY OF YARD CRAFT. ANY REPRODUCTION, ALTERATION, OR USE OF THIS DRAWING, WITHOUT THE WRITTEN CONSENT OF YARD CRAFT, IS PROHIBITED. DRAWINGS SHALL NOT BE SCALED TO OBTAIN DIMENSIONS. THE CONTRACTORS/DEALERS, AND BUILDERS INVOLVED ON THIS PROJECT SHALL VERIFY ALL DIMENSIONS AND CONDITIONS BEFORE STARTING WORK. ANY DISCREPANCY SHALL BE REPORTED IN WRITING BEFORE STARTING WORK.

CONTRACTOR:
 YardCraft

DRAWING TITLE:
 ISO

PROJECT:
 12x12 A-Frame Pavilion

COMMENTS:

REVISIONS:	DATE:	BY:
------------	-------	-----

DRAWING NUMBER: 18-552

DATE: 8/17/2018	PAGE: 10 of 10
-----------------	----------------

BY: JR.	SCALE: 1:36
---------	-------------