

12' Octagon Wood Gazebo



191 JALYN DRIVE NEW HOLLAND, PA 17557
PH: 1-866-210-9273

WWW.YARDCRAFT.COM

THIS DRAWING IS THE PROPERTY OF YARD CRAFT. ANY REPRODUCTION, ALTERATION, OR USE OF THIS DRAWING, WITHOUT THE WRITTEN CONSENT OF YARD CRAFT, IS PROHIBITED. DRAWINGS SHALL NOT BE SCALED TO OBTAIN DIMENSIONS. THE CONTRACTORS/DEALERS, AND BUILDERS INVOLVED ON THIS PROJECT SHALL VERIFY ALL DIMENSIONS AND CONDITIONS BEFORE STARTING WORK. ANY DISCREPANCY SHALL BE REPORTED IN WRITING BEFORE STARTING WORK.

CONTRACTOR:
YardCraft

DRAWING TITLE:
Cover Page

PROJECT:
12' Octagon Cedar Gazebo

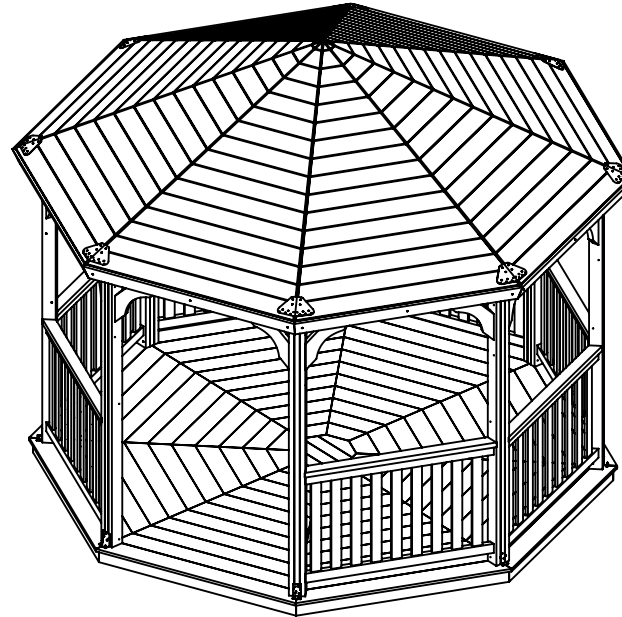
COMMENTS:

REVISIONS:	DATE:	BY:
------------	-------	-----

DRAWING NUMBER: 17-284

DATE: 10/19/2017	PAGE: 1 of 6
------------------	--------------

BY: JR.	SCALE: 1:48
---------	-------------



DESIGN REQUIREMENTS

1. Governing Code:
Including, not limited to: IBC 2015 (ASCE 7-05)
Risk Category: 1
2. Dead Load: 5 psf
4. Ground Snow Load: 30 psf
5. Wind Load:
Basic Wind Speed (V): 140 mph
Exposure Class: B
Open Building, Unrestricted Flow

THIS DRAWING IS THE PROPERTY OF YARD CRAFT, AND REPRODUCTION, ALTERATION, OR USE OF THIS DRAWING, WITHOUT THE WRITTEN CONSENT OF YARD CRAFT, IS PROHIBITED. DRAWINGS SHALL NOT BE SCALED TO OBTAIN DIMENSIONS. THE CONTRACTORS/DEALERS, AND BUILDERS INVOLVED ON THIS PROJECT SHALL VERIFY ALL DIMENSIONS AND CONDITIONS BEFORE STARTING WORK, AND ANY DISCREPANCY SHALL BE REPORTED IN WRITING BEFORE STARTING WORK.

CONTRACTOR:
YardCraft

DRAWING TITLE:
Elevations

PROJECT:
12' Octagon Cedar Gazebo

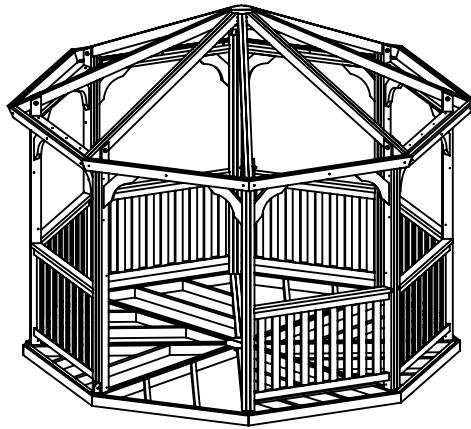
COMMENTS:

REVISIONS:	DATE:	BY:

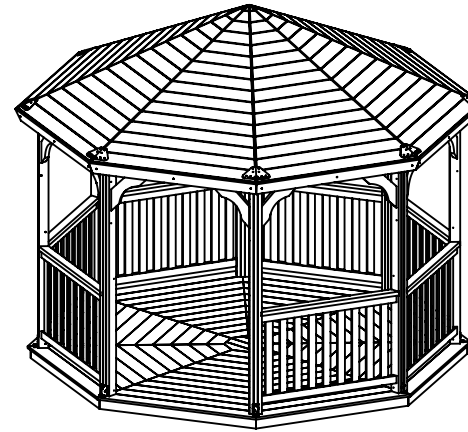
DRAWING NUMBER: 17-284

DATE: 10/19/2017 PAGE: 2 of 6

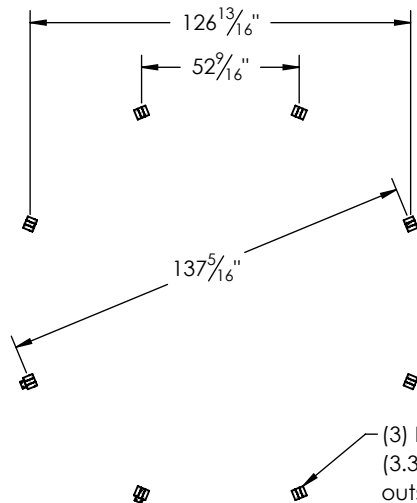
BY: JR. SCALE: 1:64



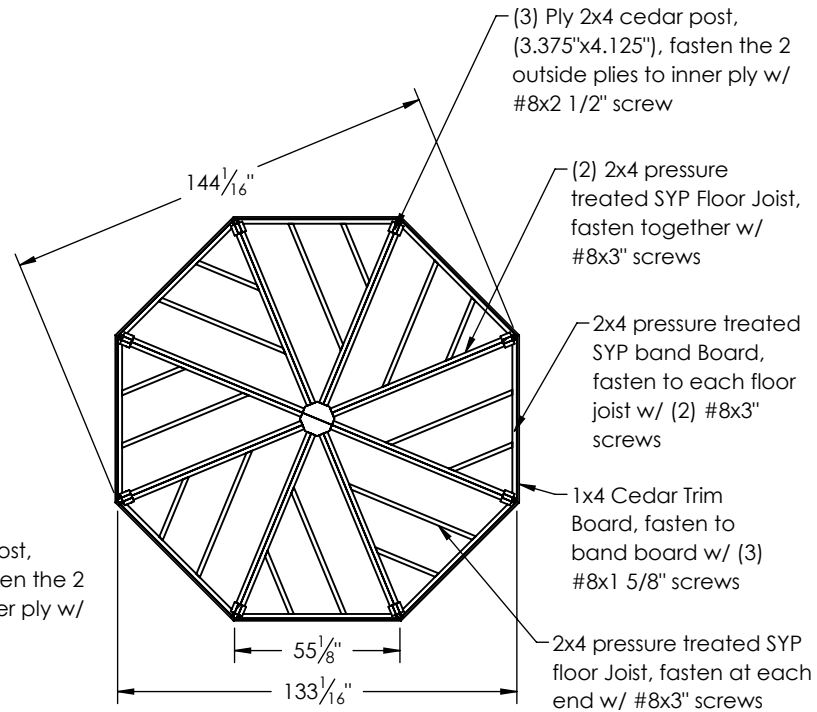
Framing Elevation



Elevation



Post Layout Plan



Floor Framing Plan

THIS DRAWING IS THE PROPERTY OF YARD CRAFT, AND REPRODUCTION, ALTERATION, OR USE OF THIS DRAWING, WITHOUT THE WRITTEN CONSENT OF YARD CRAFT, IS PROHIBITED. DRAWINGS SHALL NOT BE SCALED TO OBTAIN DIMENSIONS. THE CONTRACTORS/DEALERS, AND BUILDERS INVOLVED ON THIS PROJECT SHALL VERIFY ALL DIMENSIONS AND CONDITIONS BEFORE STARTING WORK, AND ANY DISCREPANCY SHALL BE REPORTED IN WRITING BEFORE STARTING WORK.

CONTRACTOR:
YardCraft

DRAWING TITLE:
Roof Framing Plan

PROJECT:
12' Octagon Cedar Gazebo

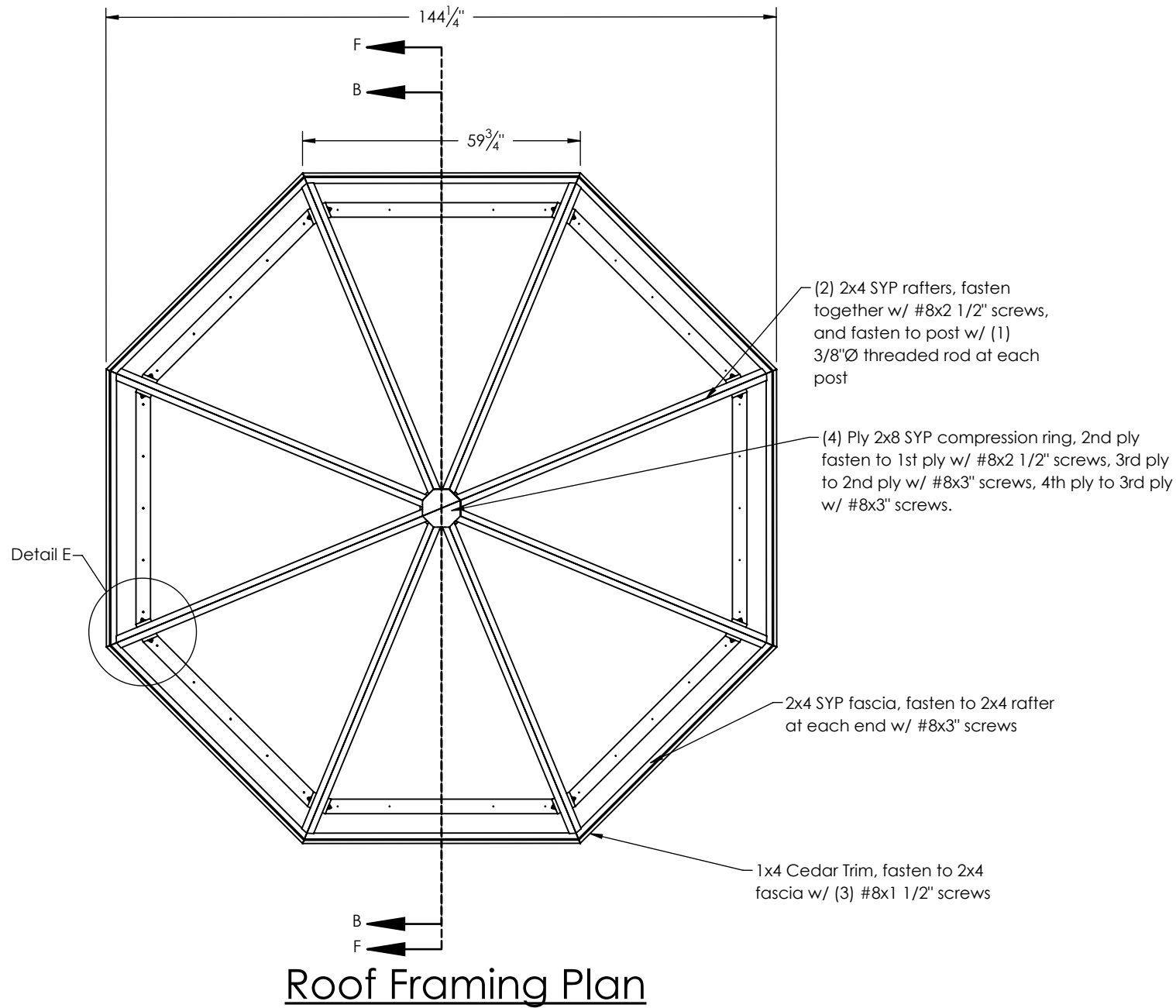
COMMENTS:

REVISIONS:	DATE:	BY:

DRAWING NUMBER: 17-284

DATE: 10/19/2017	PAGE: 3 of 6
------------------	--------------

BY: JR.	SCALE: 1:32
---------	-------------



THIS DRAWING IS THE PROPERTY OF YARD CRAFT, AND REPRODUCTION, ALTERATION, OR USE OF THIS DRAWING, WITHOUT THE WRITTEN CONSENT OF YARD CRAFT, IS PROHIBITED. DRAWINGS SHALL NOT BE SCALED TO OBTAIN DIMENSIONS. THE CONTRACTORS/DEALERS, AND BUILDERS INVOLVED ON THIS PROJECT SHALL VERIFY ALL DIMENSIONS AND CONDITIONS BEFORE STARTING WORK, AND ANY DISCREPANCY SHALL BE REPORTED IN WRITING BEFORE STARTING WORK.

CONTRACTOR:
YardCraft

DRAWING TITLE:
Cross Section With Floor

PROJECT:
12' Octagon Cedar Gazebo

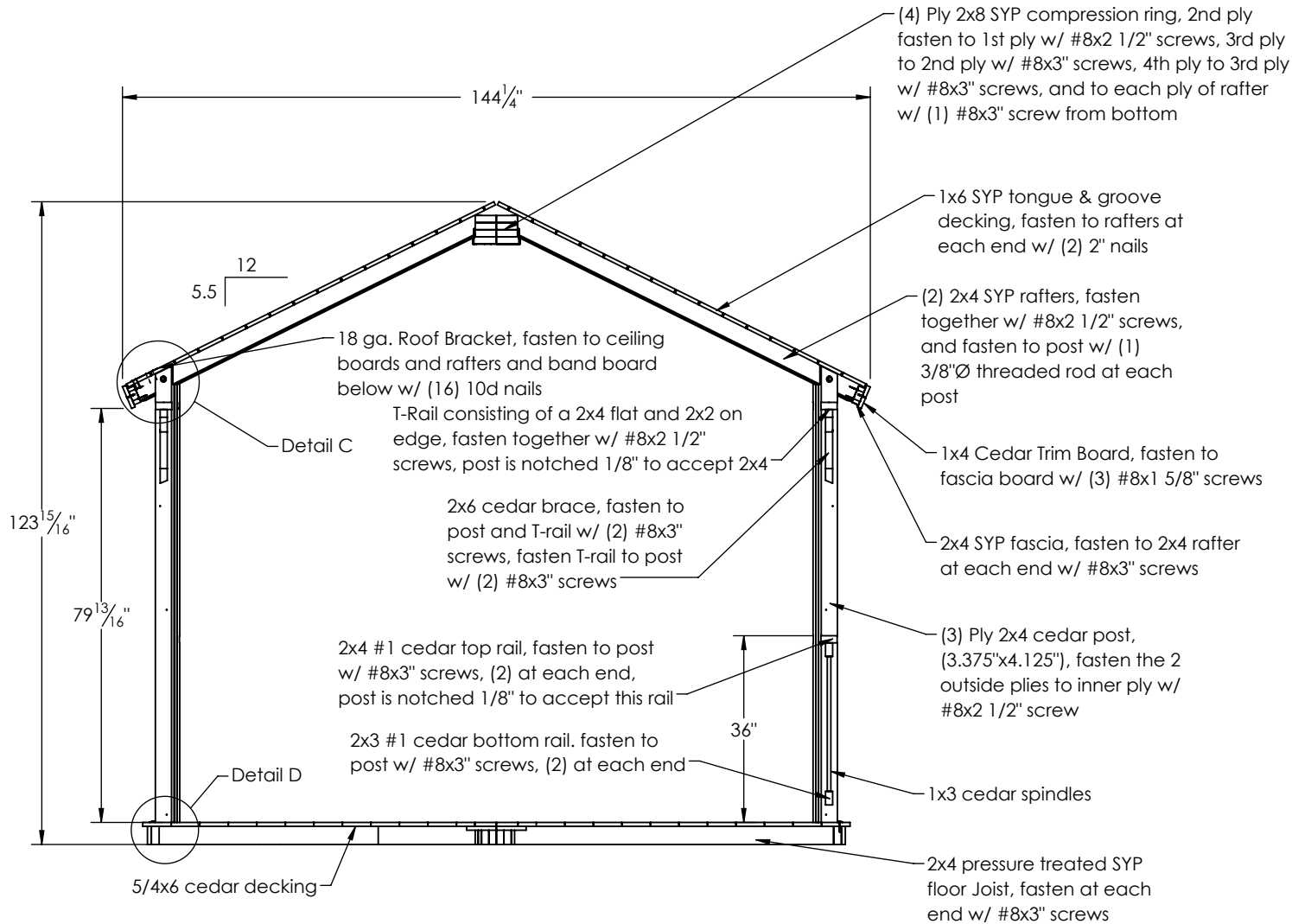
COMMENTS:

REVISIONS:	DATE:	BY:
------------	-------	-----

DRAWING NUMBER: 17-284

DATE: 10/19/2017	PAGE: 4 of 6
------------------	--------------

BY: JR.	SCALE: 1:32
---------	-------------



CROSS SECTION B-B
With Floor

THIS DRAWING IS THE PROPERTY OF YARD CRAFT, AND REPRODUCTION, ALTERATION, OR USE OF THIS DRAWING, WITHOUT THE WRITTEN CONSENT OF YARD CRAFT, IS PROHIBITED. DRAWINGS SHALL NOT BE SCALED TO OBTAIN DIMENSIONS. THE CONTRACTORS/DEALERS, AND BUILDERS INVOLVED ON THIS PROJECT SHALL VERIFY ALL DIMENSIONS AND CONDITIONS BEFORE STARTING WORK, AND ANY DISCREPANCY SHALL BE REPORTED IN WRITING BEFORE STARTING WORK.

CONTRACTOR:
YardCraft

DRAWING TITLE:
Detail Views

PROJECT:
12' Octagon Cedar Gazebo

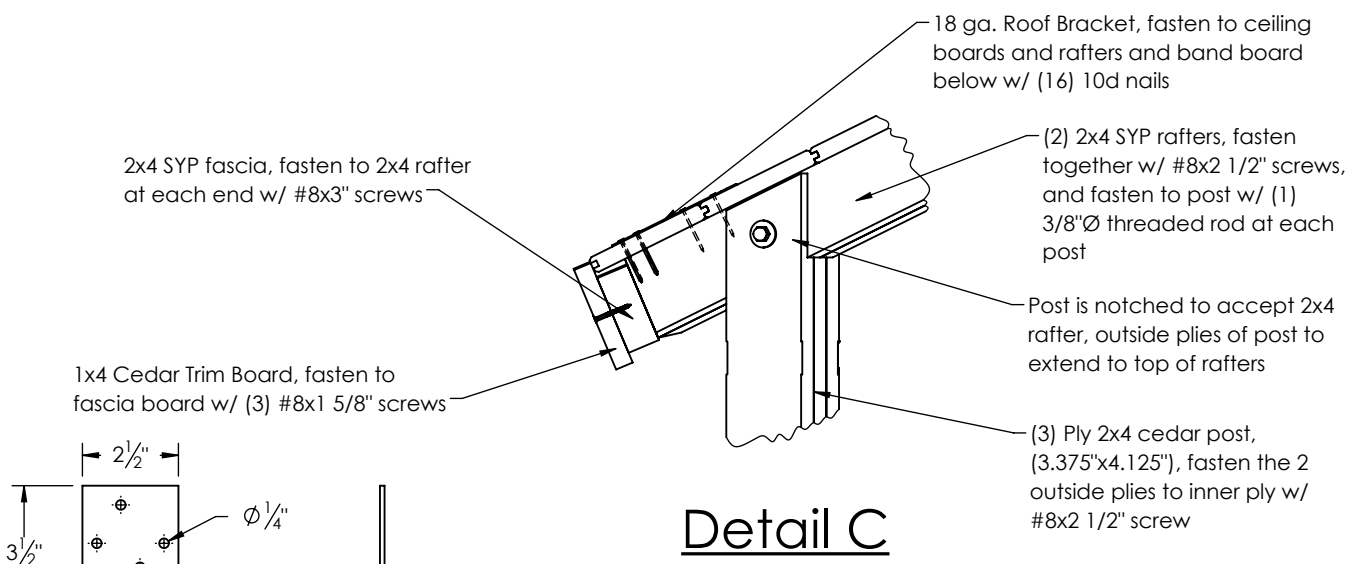
COMMENTS:

REVISIONS:	DATE:	BY:
------------	-------	-----

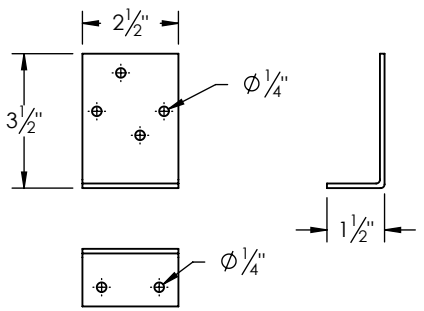
DRAWING NUMBER: 17-284

DATE: 10/19/2017	PAGE: 5 of 6
------------------	--------------

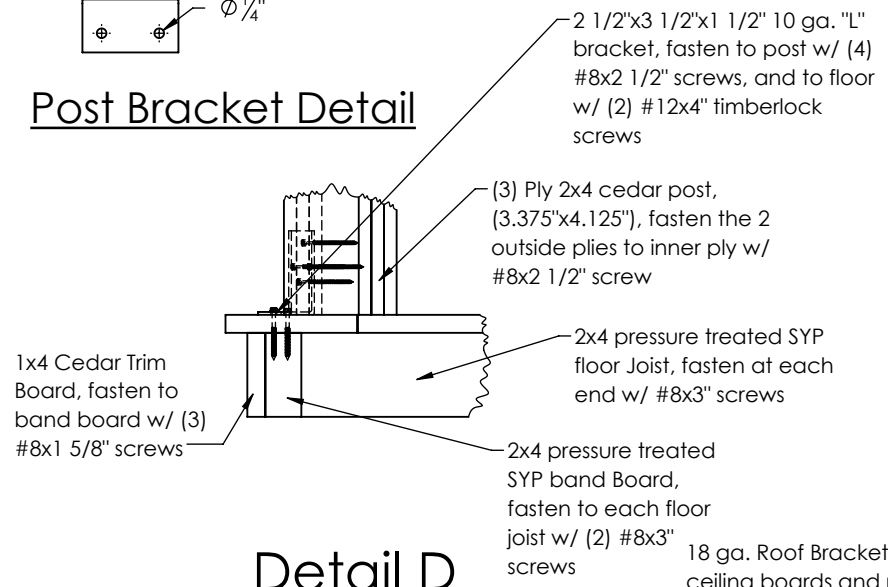
BY: JR.	SCALE: 1:32
---------	-------------



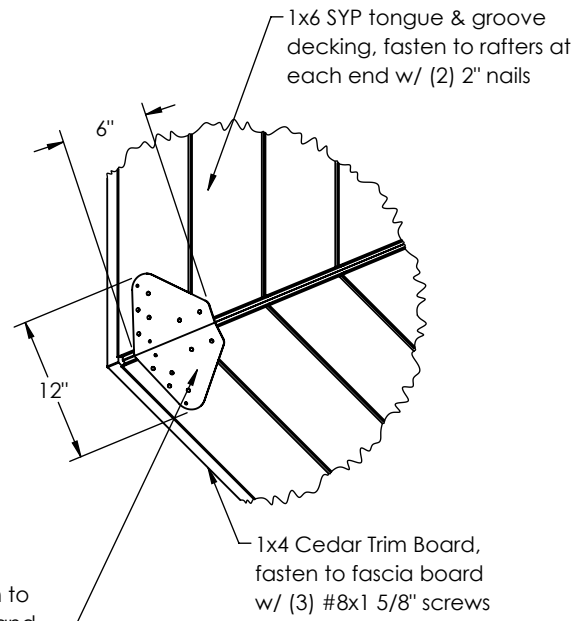
Detail C



Post Bracket Detail



**Detail D
With Floor**



Detail E

THIS DRAWING IS THE PROPERTY OF YARD CRAFT, AND REPRODUCTION, ALTERATION, OR USE OF THIS DRAWING, WITHOUT THE WRITTEN CONSENT OF YARD CRAFT, IS PROHIBITED. DRAWINGS SHALL NOT BE SCALED TO OBTAIN DIMENSIONS. THE CONTRACTORS/DEALERS, AND BUILDERS INVOLVED ON THIS PROJECT SHALL VERIFY ALL DIMENSIONS AND CONDITIONS BEFORE STARTING WORK, AND ANY DISCREPANCY SHALL BE REPORTED IN WRITING BEFORE STARTING WORK.

CONTRACTOR:
YardCraft

DRAWING TITLE:
Cross Section Without Floor

PROJECT:
12' Octagon Cedar Gazebo

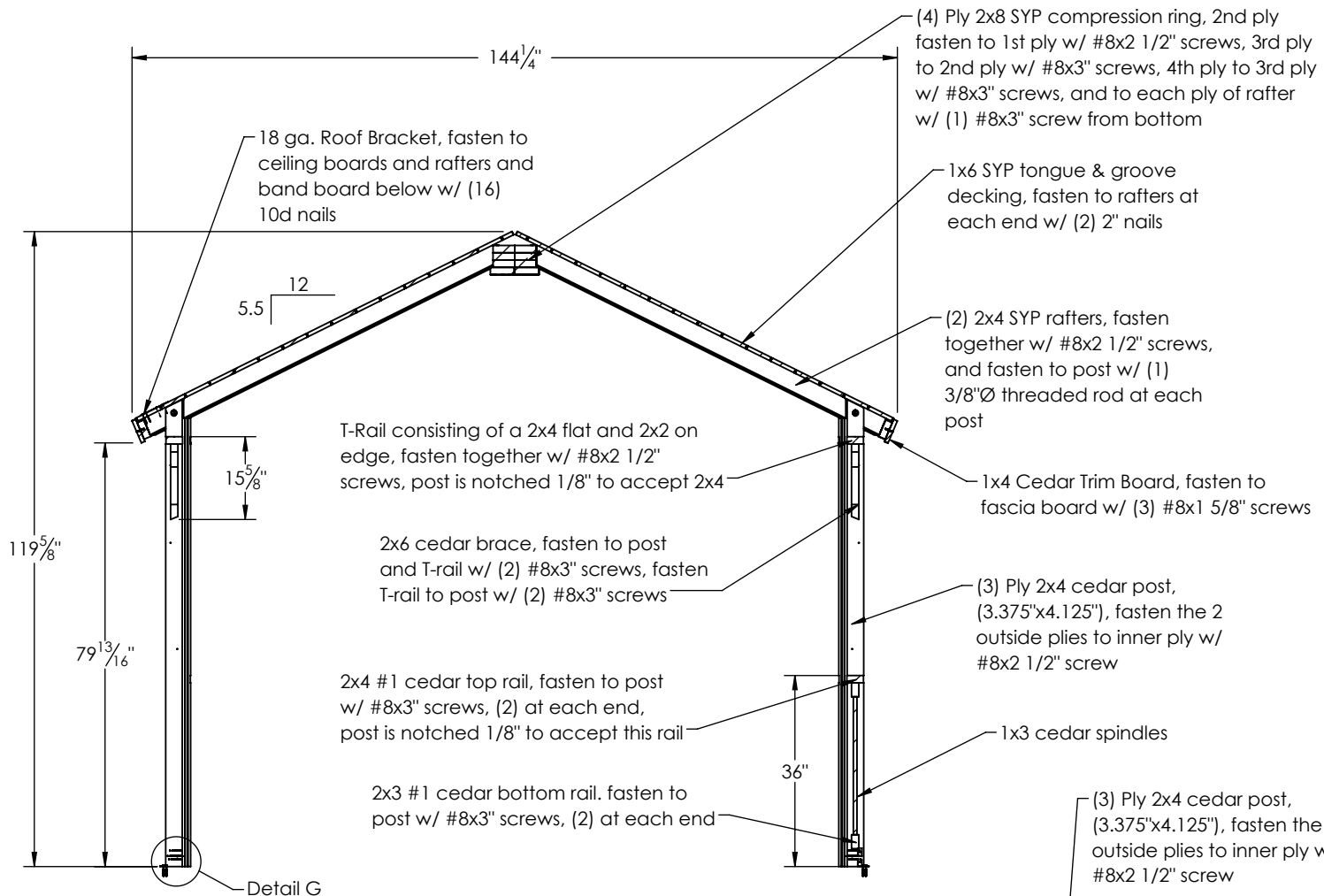
COMMENTS:

REVISIONS:	DATE:	BY:
------------	-------	-----

DRAWING NUMBER: 17-284

DATE: 10/19/2017	PAGE: 6 of 6
------------------	--------------

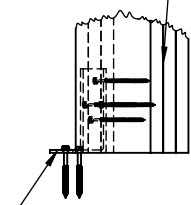
BY: JR.	SCALE: 1:32
---------	-------------



CROSS SECTION F-F

Without Floor

2 1/2"x3 1/2"x1 1/2" 10 ga. "L" bracket, fasten to post w/ (4) #8x2 1/2" screws, and to Deck or concrete foundation by others w/ (2) #12x2 1/2" screws



Detail G

Without Floor