

191 JALYN DRIVE NEW HOLLAND, PA 17557
PH: 1-866-210-9273

WWW.YARDCRAFT.COM

THIS DRAWING IS THE PROPERTY OF YARD CRAFT, AND REPRODUCTION, ALTERATION, OR USE OF THIS DRAWING, WITHOUT THE WRITTEN CONSENT OF YARD CRAFT, IS PROHIBITED. DRAWINGS SHALL NOT BE SCALED TO OBTAIN DIMENSIONS. THE CONTRACTORS/DEALERS, AND BUILDERS INVOLVED ON THIS PROJECT SHALL VERIFY ALL DIMENSIONS AND CONDITIONS BEFORE STARTING WORK, AND ANY DISCREPANCY SHALL BE REPORTED IN WRITING BEFORE STARTING WORK.

CONTRACTOR:
YardCraft

DRAWING TITLE:
Front & Side Elevation

PROJECT:
10x12 Wood Pergola
7x7 Post

COMMENTS:

REVISIONS:	DATE:	BY:
------------	-------	-----

DRAWING NUMBER: 17-244

DATE: 9/27/2017	PAGE: 1 of 5
-----------------	--------------

BY:	SCALE: 1:40
-----	-------------

THIS DRAWING IS THE PROPERTY OF YARD CRAFT, AND REPRODUCTION, ALTERATION, OR USE OF THIS DRAWING, WITHOUT THE WRITTEN CONSENT OF YARD CRAFT, IS PROHIBITED. DRAWINGS SHALL NOT BE SCALED TO OBTAIN DIMENSIONS. THE CONTRACTORS/DEALERS, AND BUILDERS INVOLVED ON THIS PROJECT SHALL VERIFY ALL DIMENSIONS AND CONDITIONS BEFORE STARTING WORK, AND ANY DISCREPANCY SHALL BE REPORTED IN WRITING BEFORE STARTING WORK.

CONTRACTOR:
YardCraft

DRAWING TITLE:
Roof Framing Plan

PROJECT:
**10x12 Wood Pergola
7x7 Post**

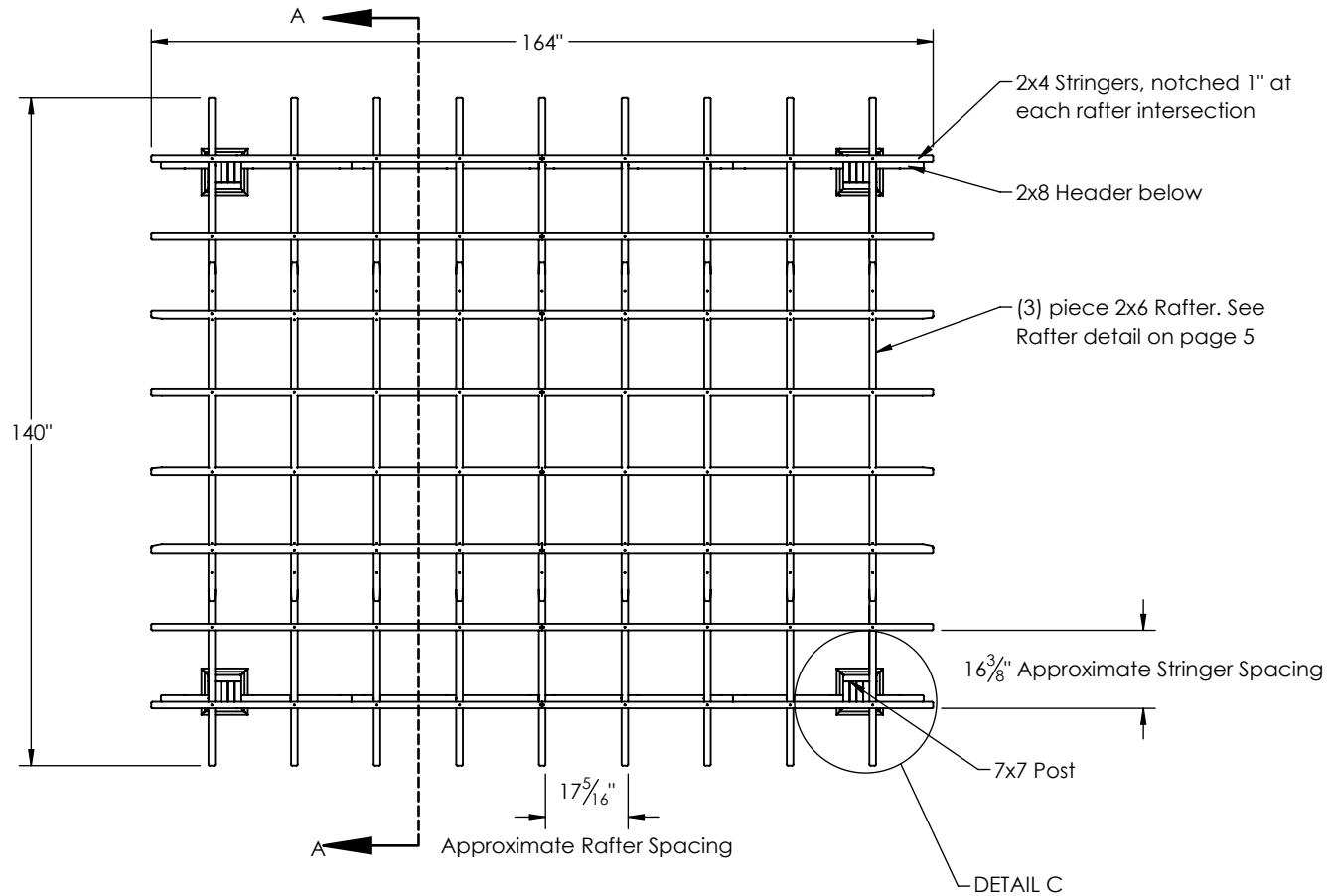
COMMENTS:

REVISIONS:	DATE:	BY:
------------	-------	-----

DRAWING NUMBER: 17-244

DATE: 9/27/2017	PAGE: 2 of 5
-----------------	--------------

BY:	SCALE: 1:40
-----	-------------





191 JALYN DRIVE NEW HOLLAND, PA 17557
PH: 1-866-210-9273

WWW.YARDCRAFT.COM

THIS DRAWING IS THE PROPERTY OF YARD CRAFT, AND REPRODUCTION, ALTERATION, OR USE OF THIS DRAWING, WITHOUT THE WRITTEN CONSENT OF YARD CRAFT, IS PROHIBITED. DRAWINGS SHALL NOT BE SCALED TO OBTAIN DIMENSIONS. THE CONTRACTORS/DEALERS, AND BUILDERS INVOLVED ON THIS PROJECT SHALL VERIFY ALL DIMENSIONS AND CONDITIONS BEFORE STARTING WORK, AND ANY DISCREPANCY SHALL BE REPORTED IN WRITING BEFORE STARTING WORK.

CONTRACTOR:
YardCraft

DRAWING TITLE:
Post Layout Plan

PROJECT:
10x12 Wood Pergola
7x7 Post

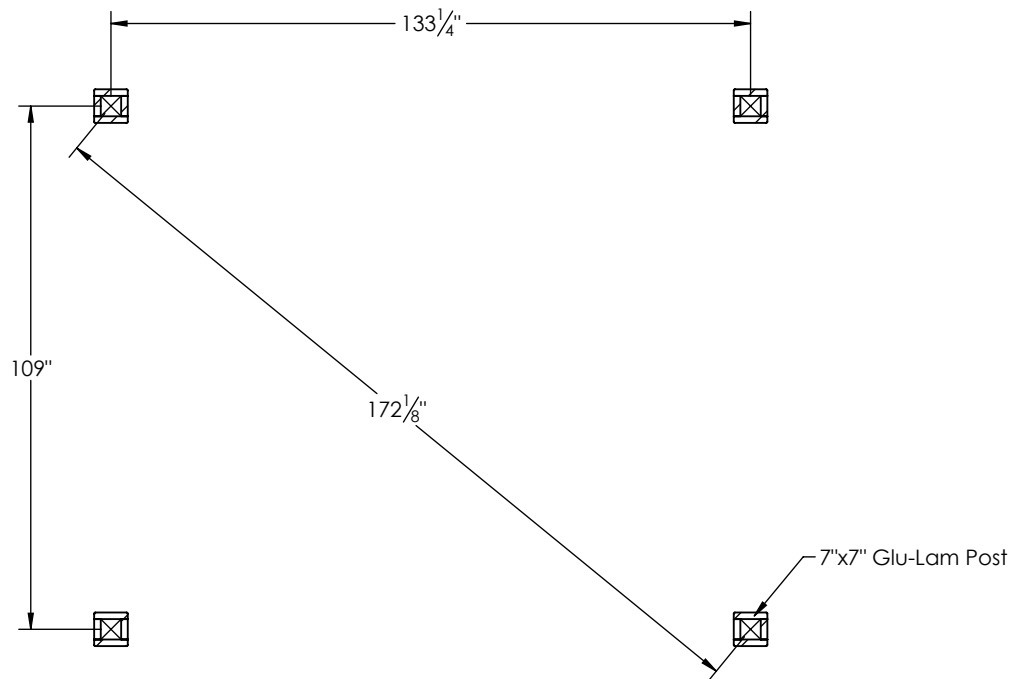
COMMENTS:

REVISIONS:	DATE:	BY:

DRAWING NUMBER: 17-244

DATE:	PAGE:
9/27/2017	3 of 5

BY:	SCALE:
	1:40



THIS DRAWING IS THE PROPERTY OF YARD CRAFT, AND REPRODUCTION, ALTERATION, OR USE OF THIS DRAWING, WITHOUT THE WRITTEN CONSENT OF YARD CRAFT, IS PROHIBITED. DRAWINGS SHALL NOT BE SCALED TO OBTAIN DIMENSIONS. THE CONTRACTORS/DEALERS, AND BUILDERS INVOLVED ON THIS PROJECT SHALL VERIFY ALL DIMENSIONS AND CONDITIONS BEFORE STARTING WORK, AND ANY DISCREPANCY SHALL BE REPORTED IN WRITING BEFORE STARTING WORK.

CONTRACTOR:
YardCraft

DRAWING TITLE:
Details

PROJECT:
10x12 Wood Pergola
7x7 Post

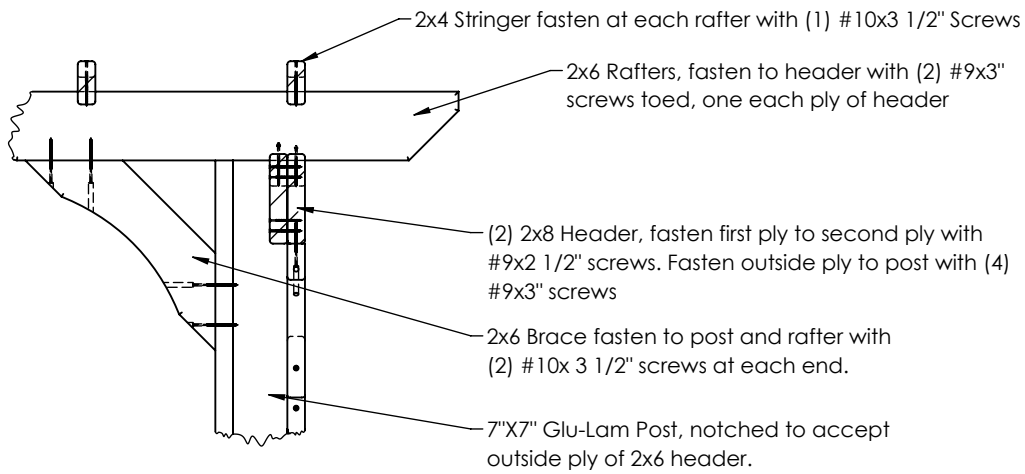
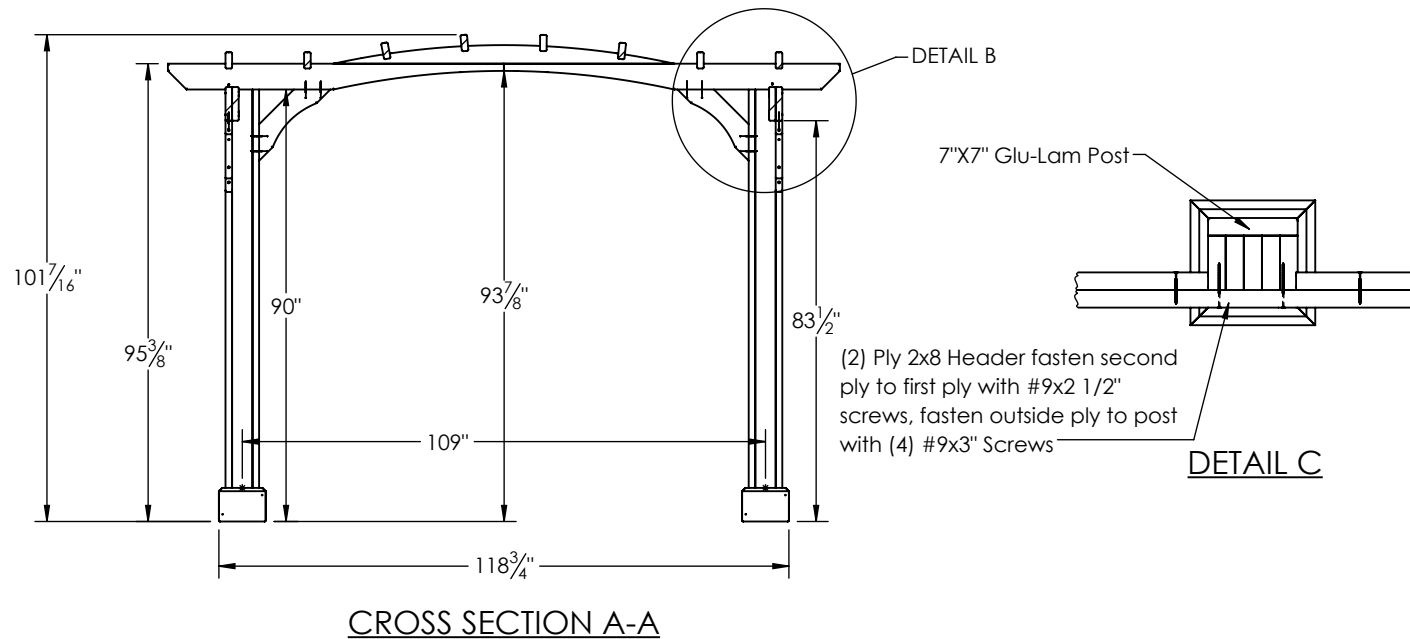
COMMENTS:

REVISIONS:	DATE:	BY:
------------	-------	-----

DRAWING NUMBER: 17-244

DATE: 9/27/2017	PAGE: 4 of 5
-----------------	--------------

BY:	SCALE: 1:40
-----	-------------



DETAIL B

THIS DRAWING IS THE PROPERTY OF YARD CRAFT, AND REPRODUCTION, ALTERATION, OR USE OF THIS DRAWING, WITHOUT THE WRITTEN CONSENT OF YARD CRAFT, IS PROHIBITED. DRAWINGS SHALL NOT BE SCALED TO OBTAIN DIMENSIONS. THE CONTRACTORS/DEALERS, AND BUILDERS INVOLVED ON THIS PROJECT SHALL VERIFY ALL DIMENSIONS AND CONDITIONS BEFORE STARTING WORK, AND ANY DISCREPANCY SHALL BE REPORTED IN WRITING BEFORE STARTING WORK.

CONTRACTOR:
YardCraft

DRAWING TITLE:
Details 2

PROJECT:
10x12 Wood Pergola
7x7 Post

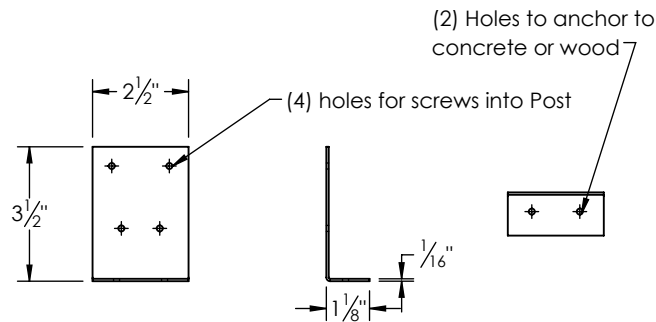
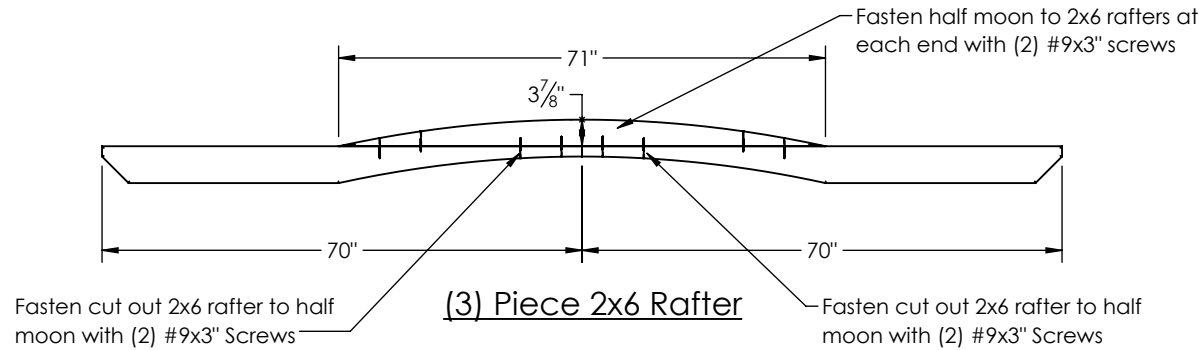
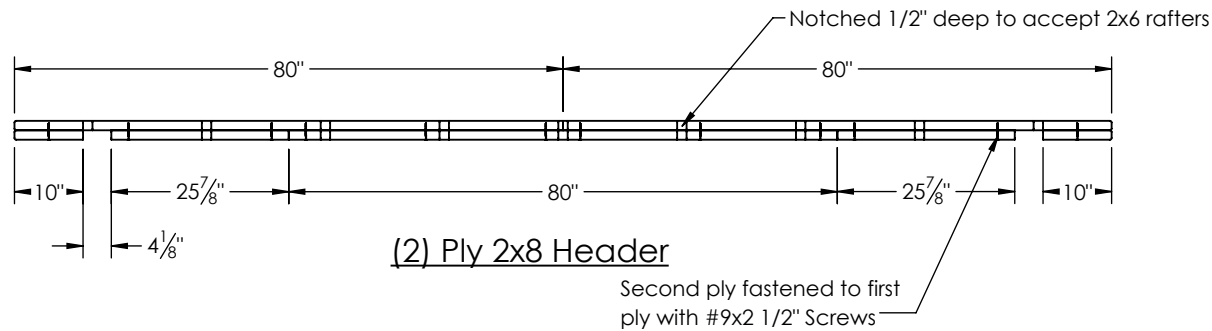
COMMENTS:

REVISIONS:	DATE:	BY:
------------	-------	-----

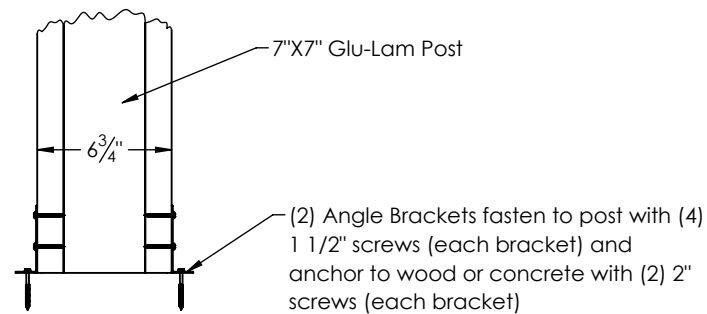
DRAWING NUMBER: 17-244

DATE: 9/27/2017	PAGE: 5 of 5
-----------------	--------------

BY:	SCALE: 1:28
-----	-------------



Post Anchor Bracket Detail



DETAIL D